

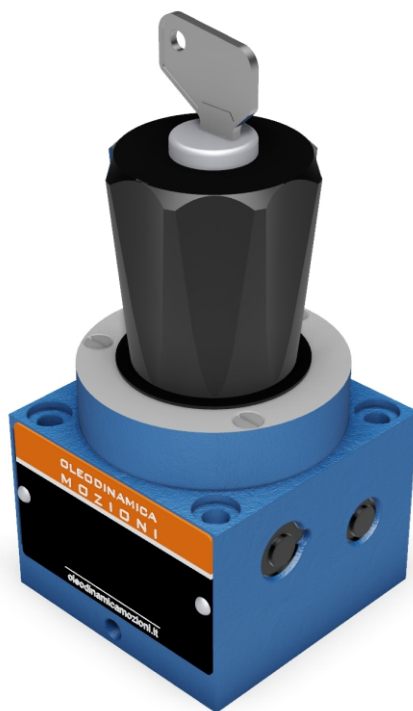


VALVOLE DI FLUSSO

**2FRM5**

FLOW CONTROL VALVES

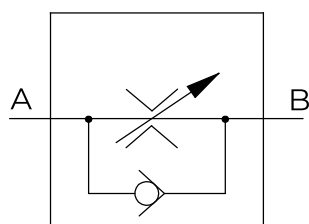
2FRM5 SERIES ARE RESTRICTIVE FLOW REGULATORS, WITHOUT AFFECTED BY PRESSURE AND TEMPERATURE. THIS VALVES MAY BE MOUNTED IN A HYDRAULIC CIRCUIT IN ANY POSITION.



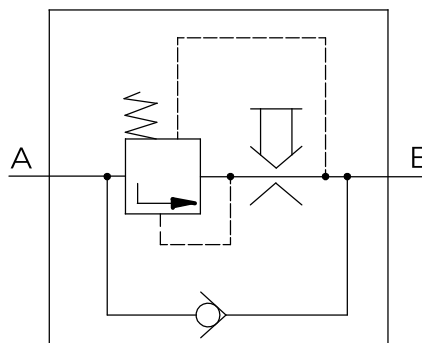
**TECHNICAL DATA**

SIZE	5
MAX. FLOW RATE (L/MIN)	15
OPERATING PRESSURE (MPA)	21
FLUID TEMPERATURE (°C)	-20 - 70
FILTRATION ACCURACY (µM)	16 (Q<5 L/MIN); 10 (Q<0.5 L/MIN)
WEIGHT (KG)	1.6
VALVE BODY (MATERIAL)	CASTING PHOSPHATING SURFACE

**SCHEMES**



SIMPLIFIED

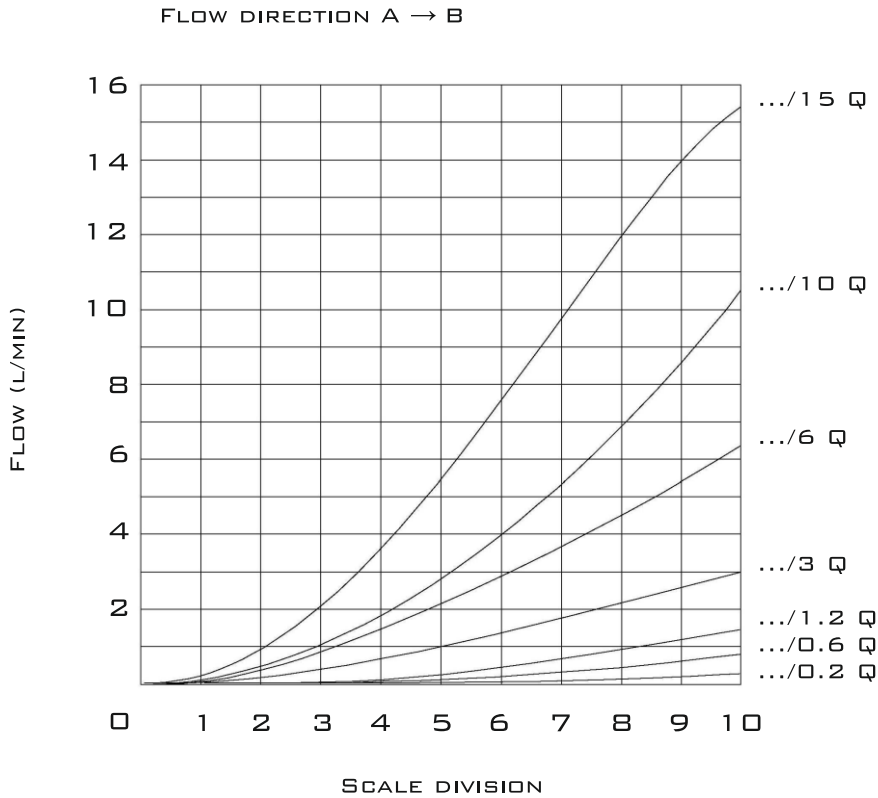


STANDART



## CHARACTERISTIC CURVES

CHARACTERISTIC CURVES OF FLOW RELATION TO HANDKNOB POSITION ON SCALE FOR FLOW CONTROL VALVES WITH DIFFERENT SETTABLE FLOW RANGES



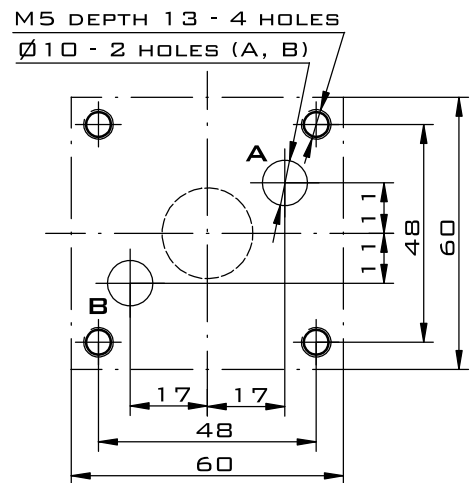
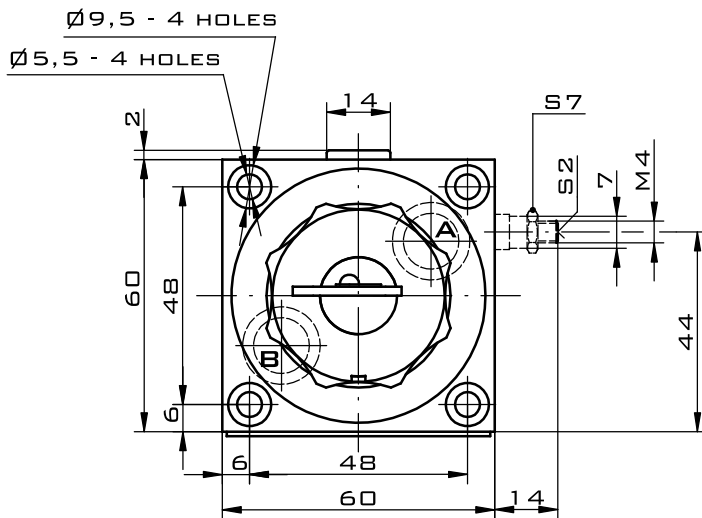
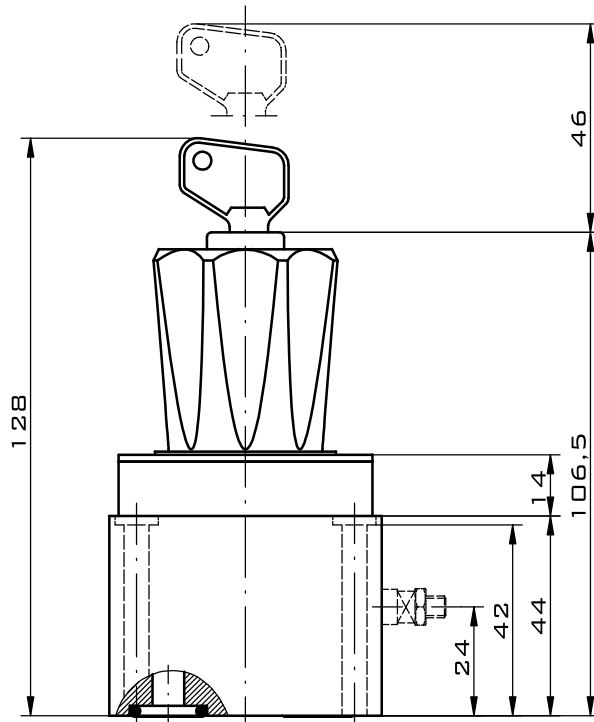


VALVOLE DI FLUSSO

2FRM5

FLOW CONTROL VALVES

SUBPLATE INSTALLATION DIMENSIONS



# 2FRM5

VALVOLE DI FLUSSO



FLOW CONTROL VALVES

## ORDER CODE

2FRM	5	30					
------	---	----	--	--	--	--	--

5=5 SIZE

30=30 SERIES

0.2Q=To 0.2 L/MIN  
0.6Q=To 0.6 L/MIN  
1.2Q=To 1.2 L/MIN  
3Q=To 3 L/MIN  
6Q=To 6 L/MIN  
10Q=To 10 L/MIN  
15Q=To 15 L/MIN

EXPLAIN OTHER DETAILS

NO CODE=NBR SEALS  
V=FKM SEALS

A=WITH EXTERNAL SWITCH OF  
PRESSURE COMPENSATION  
(RESTRAIN THROB WHEN START)  
B=WITHOUT EXTERNAL SWITCH OF  
PRESSURE COMPENSATION