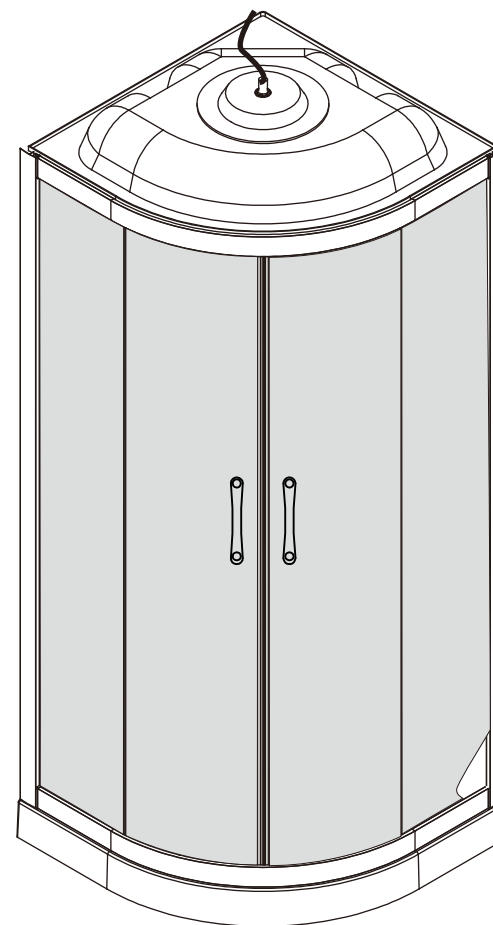
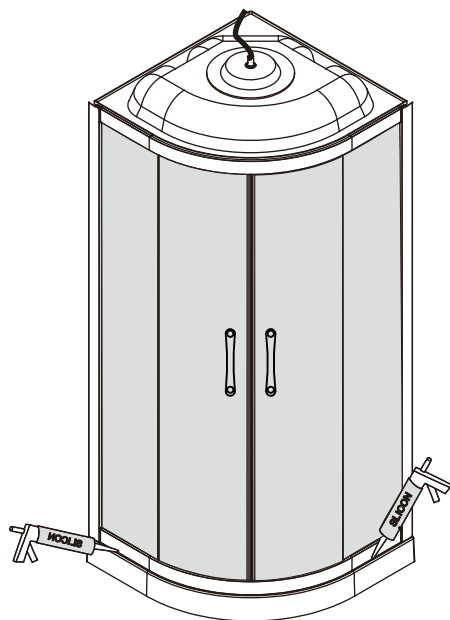
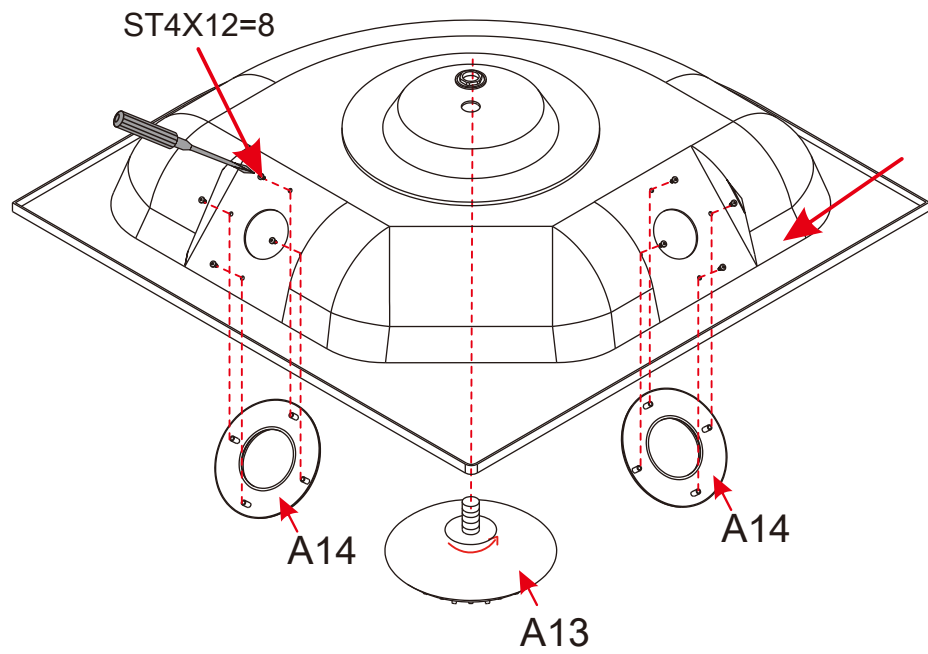
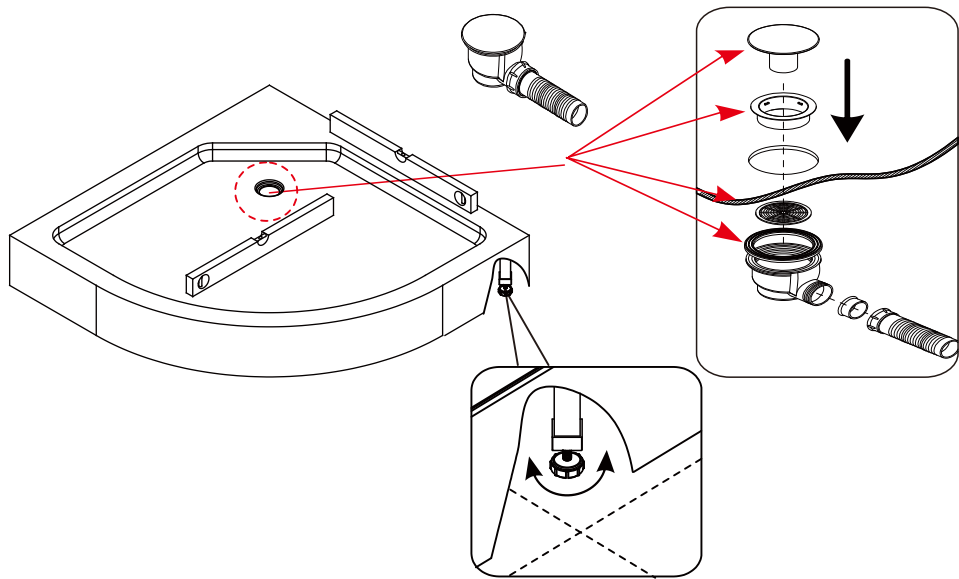


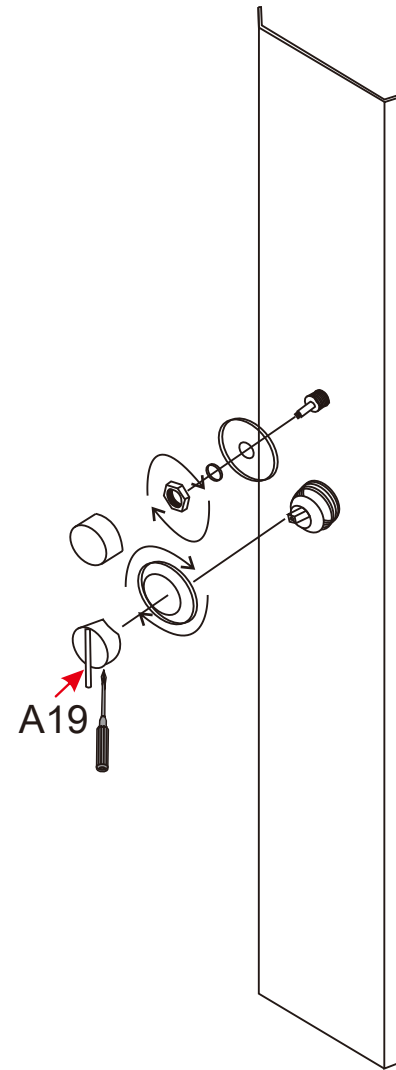
60/61 BF RC



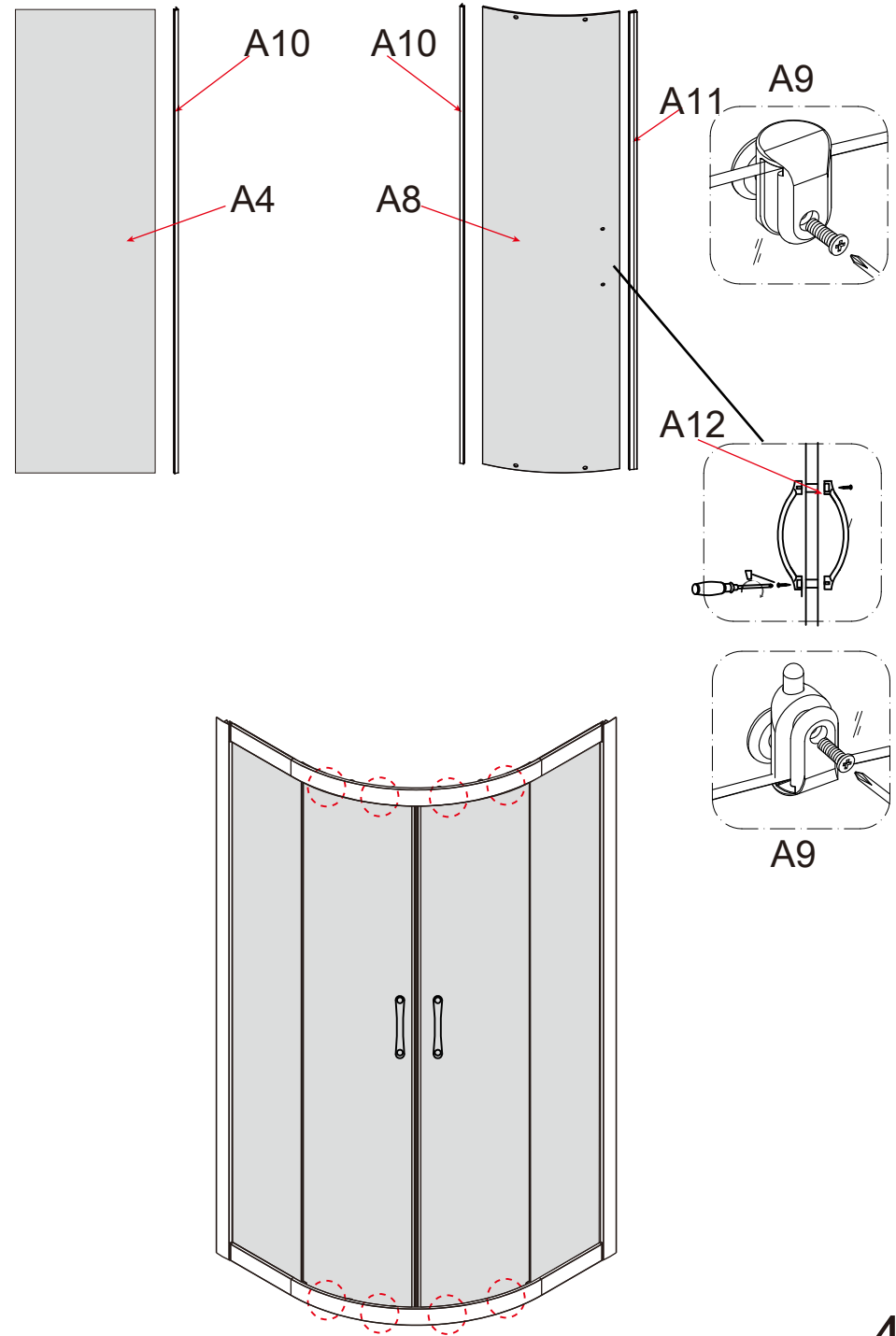


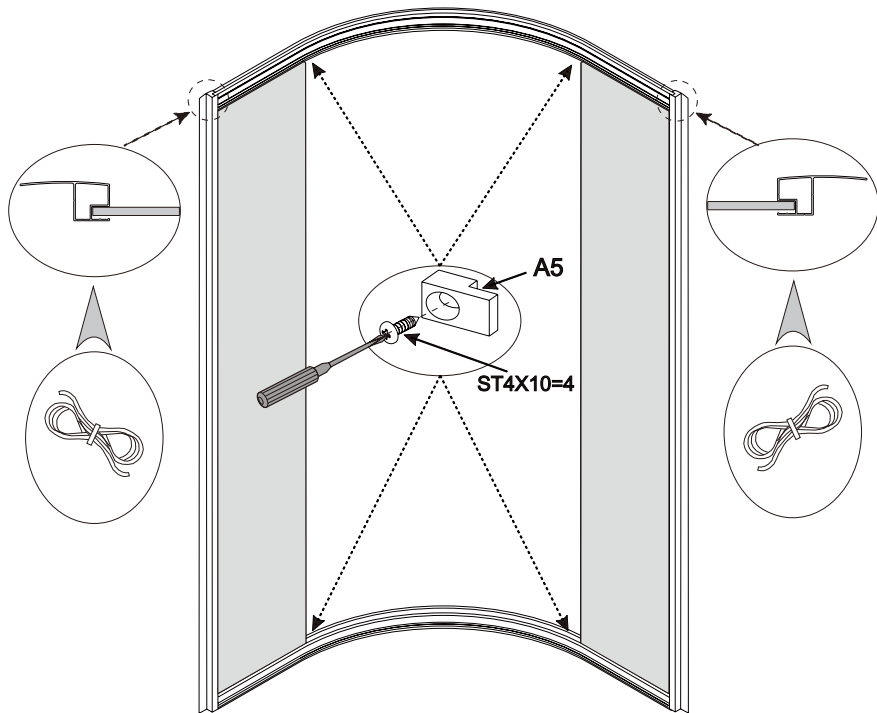
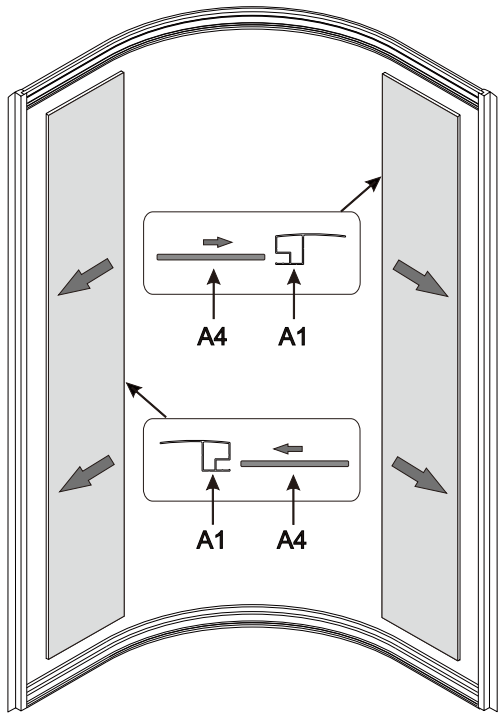


5

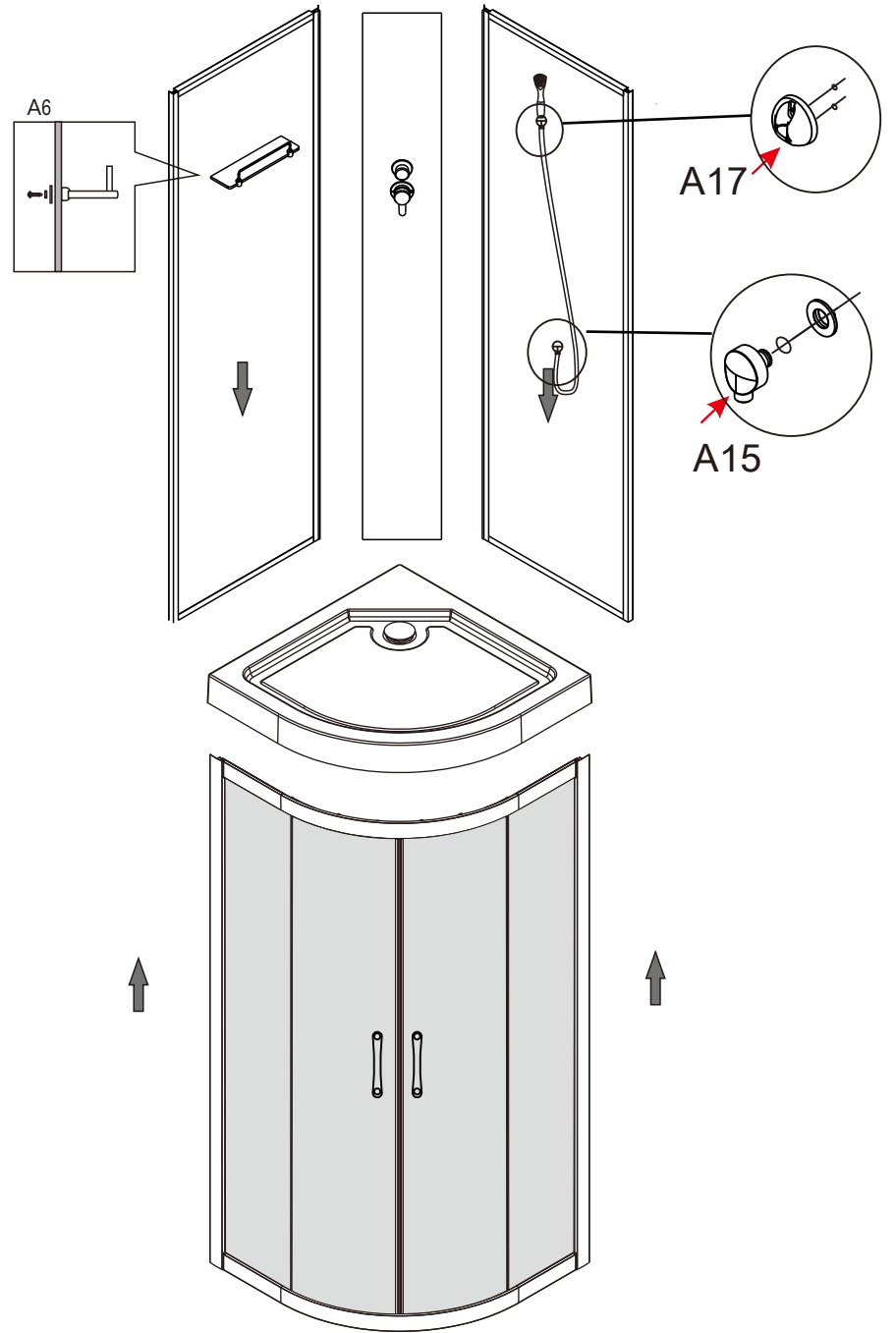


6





3



8

