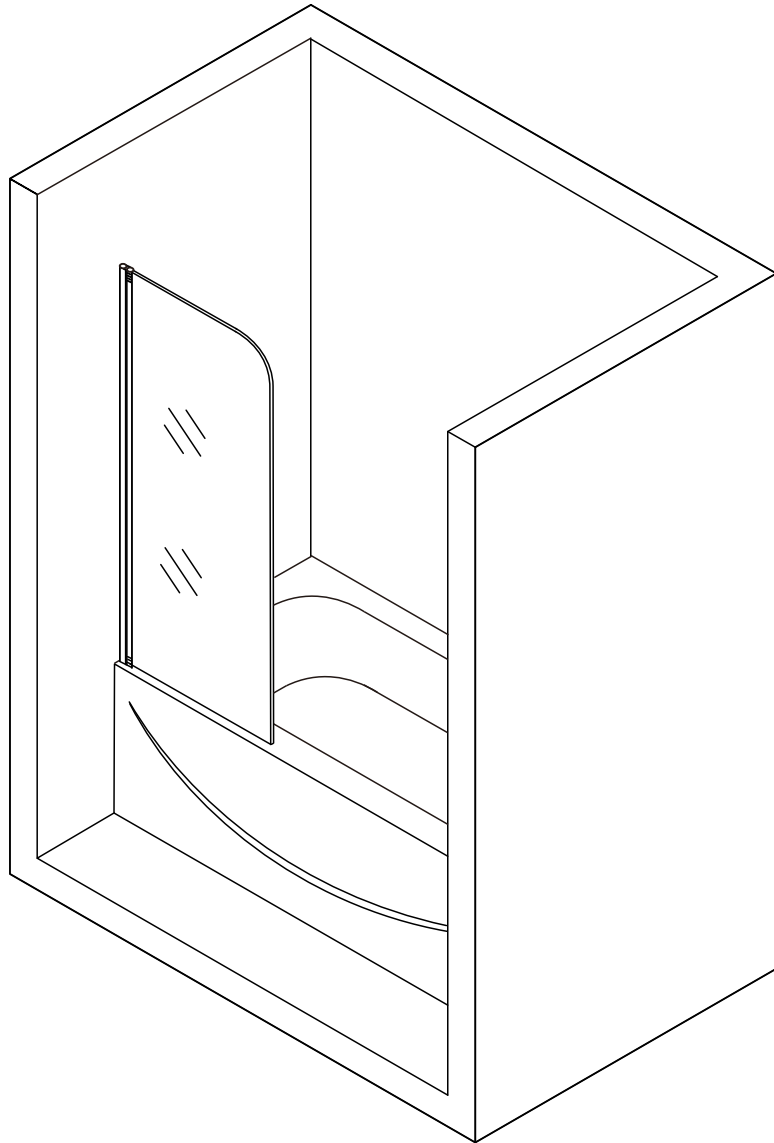
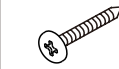
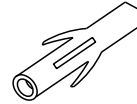
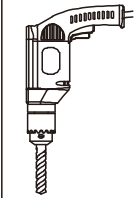


H=1400 W=1000



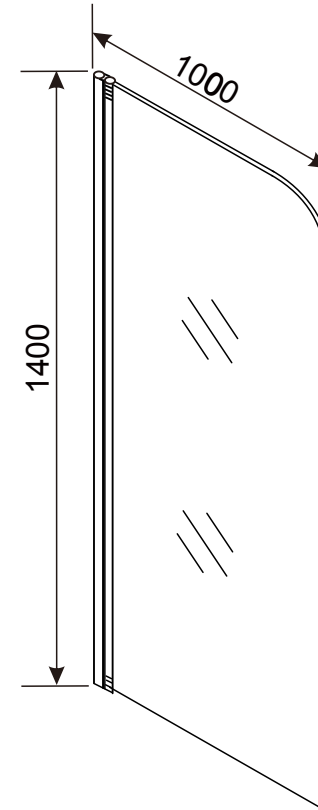
1



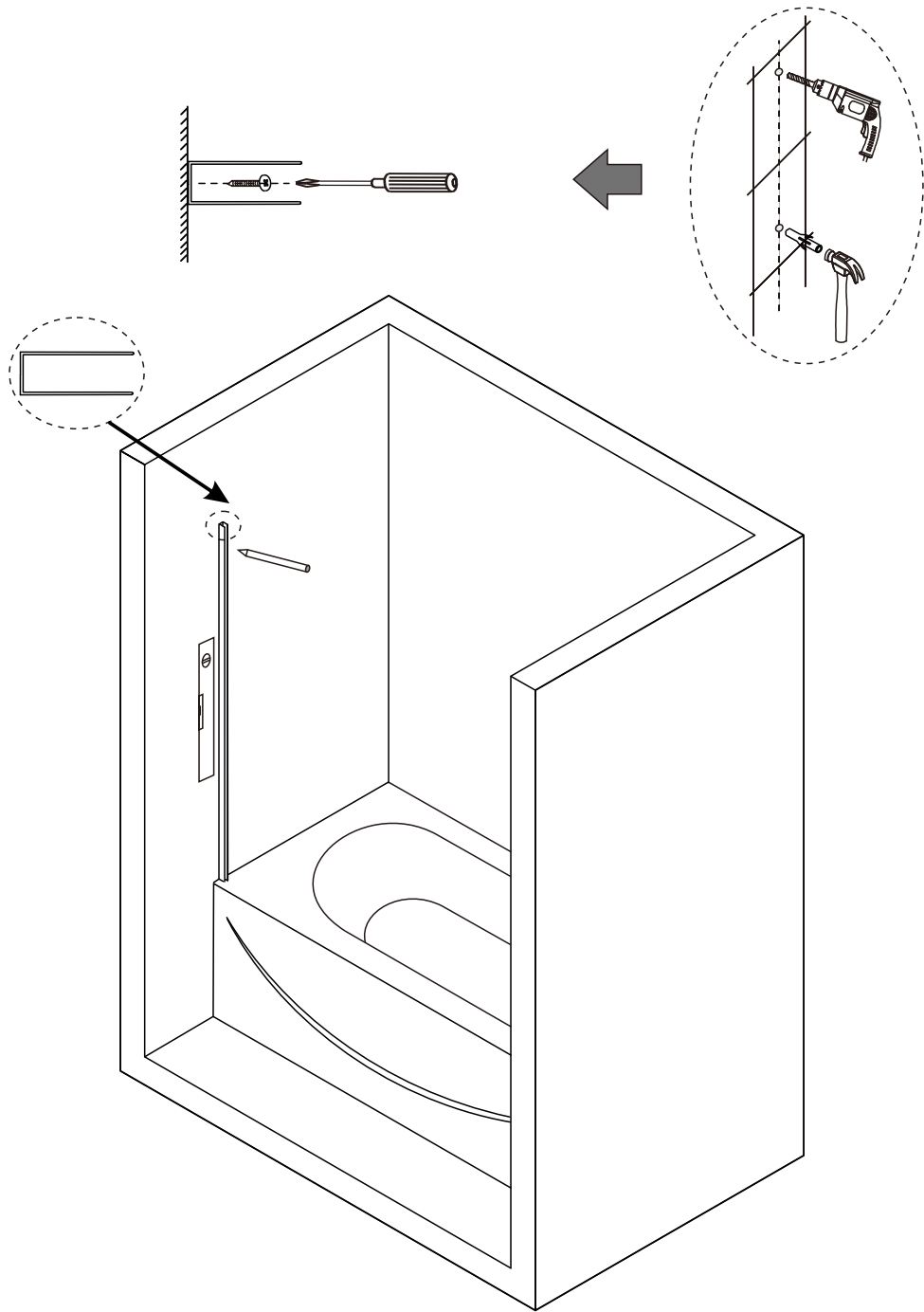
M4*25=3



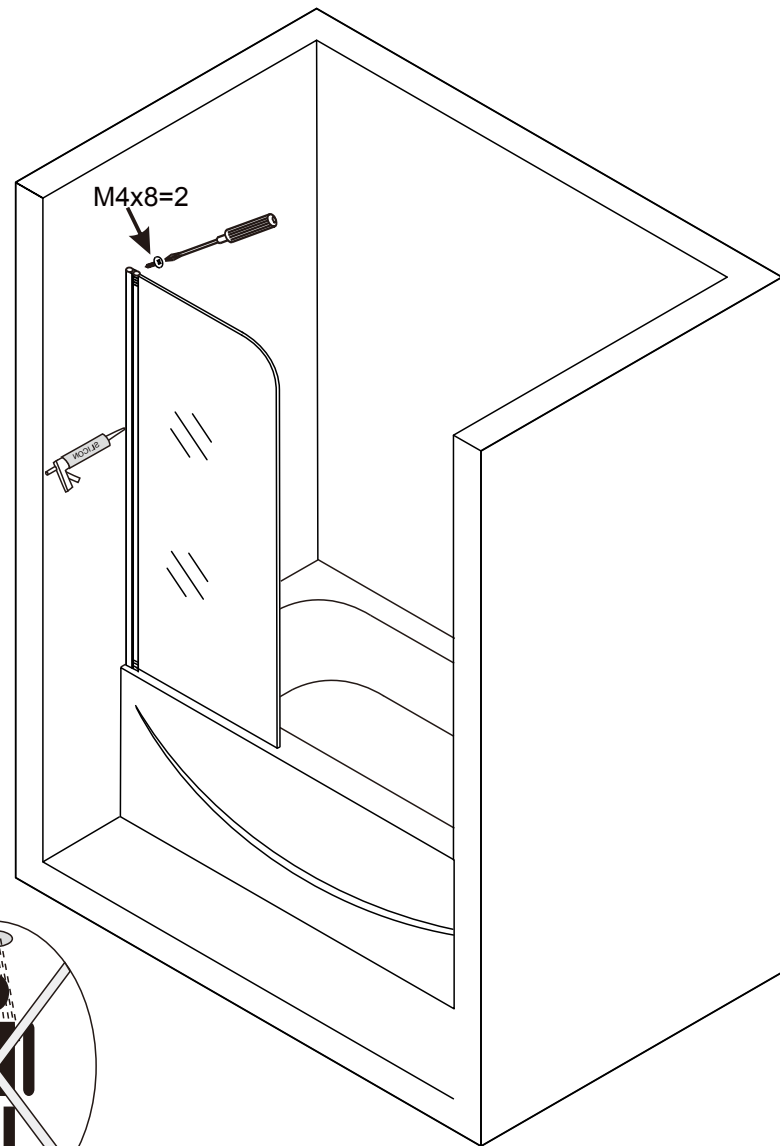
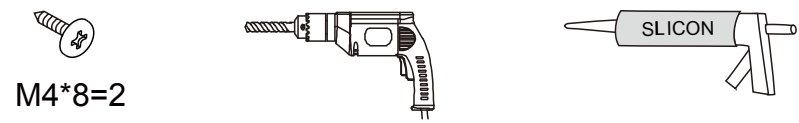
M4*8=2



2



3



4