



LV-H62F

retro-reflective Sensor Head, Spot Type, IP67

CE

Specifications

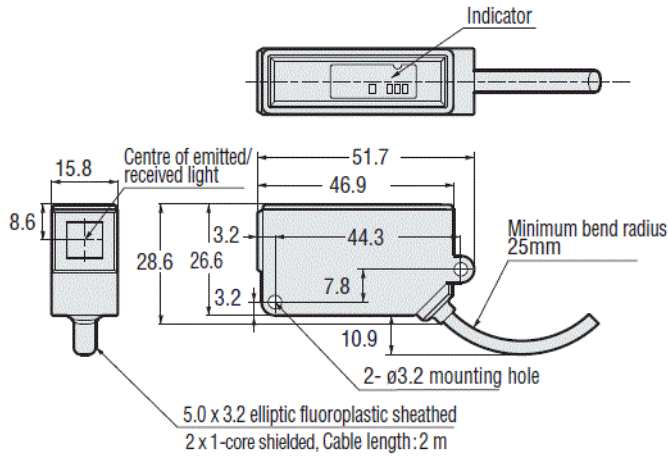
| | | |
|--------------------------|---------------------------------|--|
| Model | LV-H62F*1 | |
| Type | Retro-reflective | |
| FDA (CDRH) Part 1040.10 | Class II | |
| Light source | Visible red semiconductor laser | |
| Wavelength | 660 nm | |
| Detecting distance | FINE | 1.5 m 4.9' |
| | TURBO | 3.5 m 3.5' |
| | SUPER | 5 m 16.4' |
| Environmental resistance | Ambient temperature | -10 to +55 °C 14 to 131 °F (No freezing) |
| | Relative humidity | 35 to 85 % RH (No condensation) |
| Material | Case | Fluoroplastic (PFA) |
| | O-ring | Fluororubber |
| | Lens cover | Glass |
| Weight | Approx. 100 g | |

*1 The cable minimum bend radius is 25 mm 0.98".

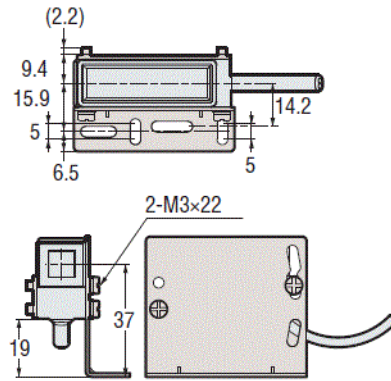
Dimensions

* Download CAD file or product manual for larger image/text and more detail.

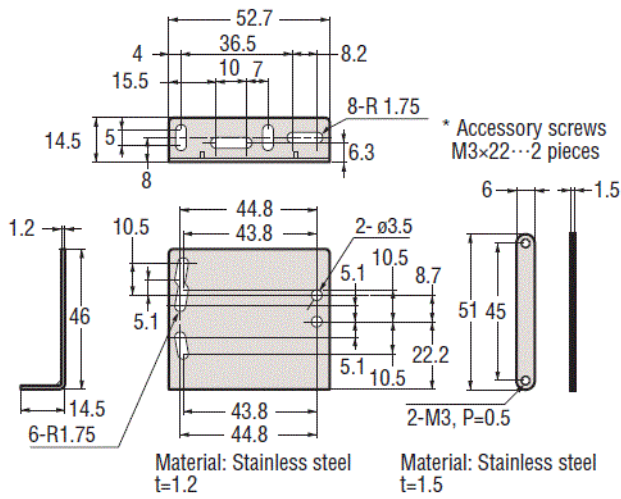
LV-H35F/H62F



Mounting bracket attached



Mounting bracket (Accessory)



Reflector R-8 for LV-H62F (Accessory)

