



## FU-10

Reflective Fiber Unit

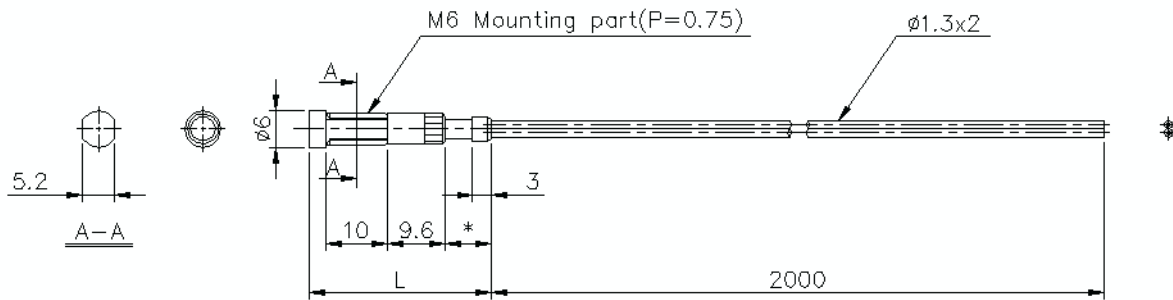
## Specifications

Model	FU-10	
Type	Variable spot	
Focal distance	10 to 30 mm <a href="#">0.394" to 1.181"</a>	
Fibre unit length	2 m <a href="#">78.74"</a> free-cut	
Fibre unit diameter	ø1.3×2	
Environmental resistance	Ambient temperature	-40 to +70 °C <a href="#">-40 to 158 °F</a>
Weight	Approx. 5 g	

# Dimensions

\* Download CAD file or product manual for larger image/text and more detail.

FU-10



L: Lens unit length  
\*: Adjustable part

## Mounting bracket

