

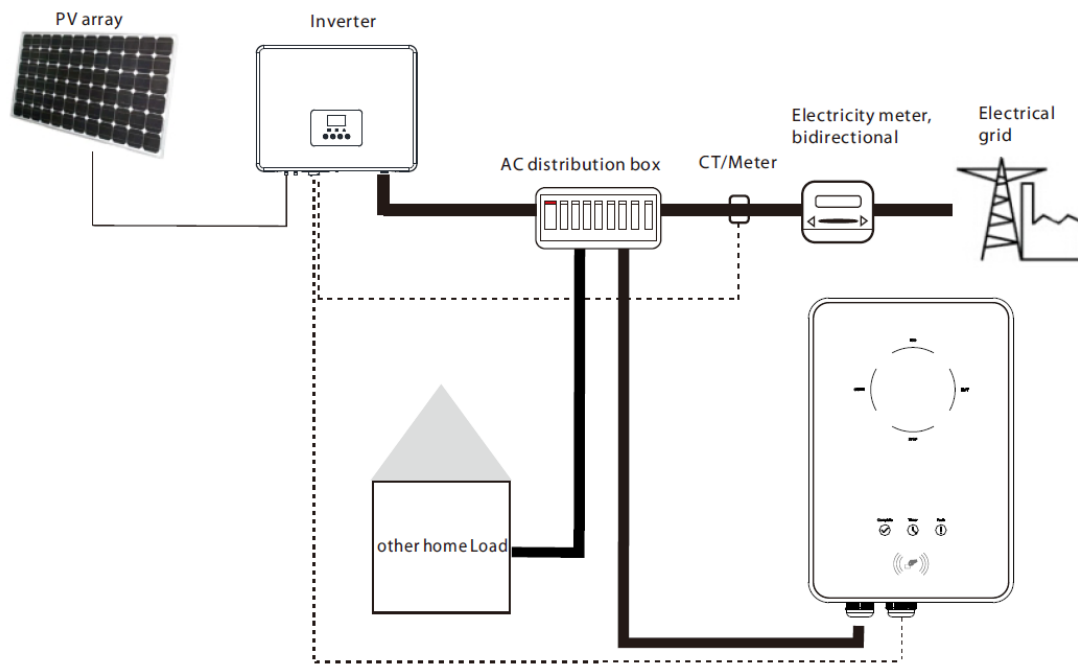
SolaX X1/X3-EVC system matching instructions

—— for Connecting with SolaX Inverter Use



1 Overview

The Smart EV-Charger can communicate with SolaX inverters to form an intelligent photovoltaic, storage and EV charging energy system, thus maximizing the utilization of photovoltaic energy.

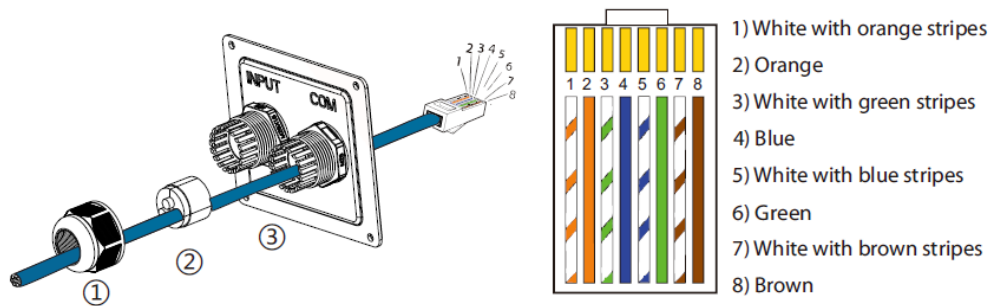


Intelligent Photovoltaic, Storage and EV Charging Energy System

2 Installation

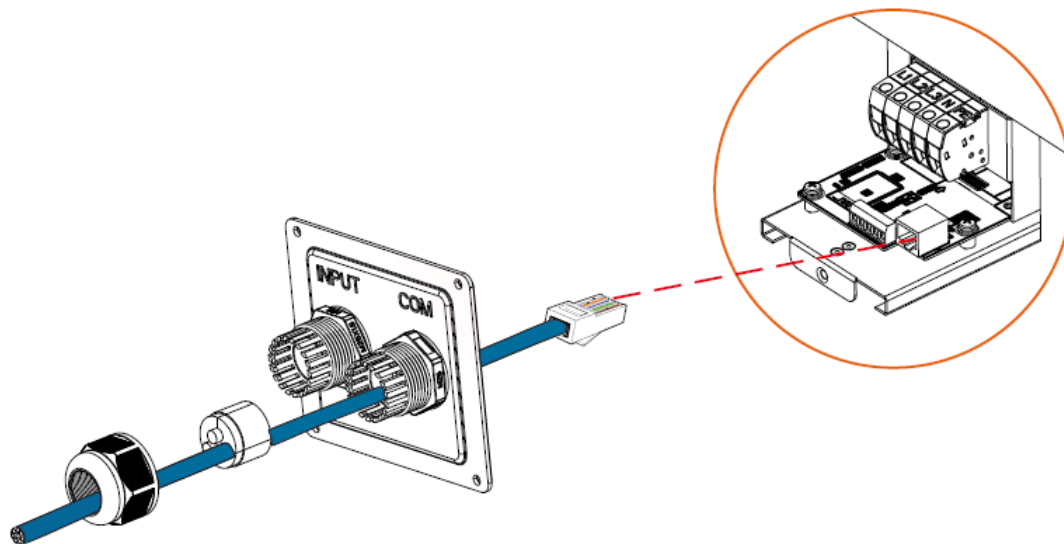
For the basic installation of the Smart EV-Charger and inverter, please refer to their installation guides and manuals.

2.1 The details of the communication connection with SolaX inverter are as follows.



PIN	1	2	3	4	5	6	7	8
Definition	L1_CT+	L1_CT-	L2_CT+	A1	B1	L2_CT-	L3_CT+	L3_CT-

*PIN 3, 6, 7, 8 is only for X3-EVC.



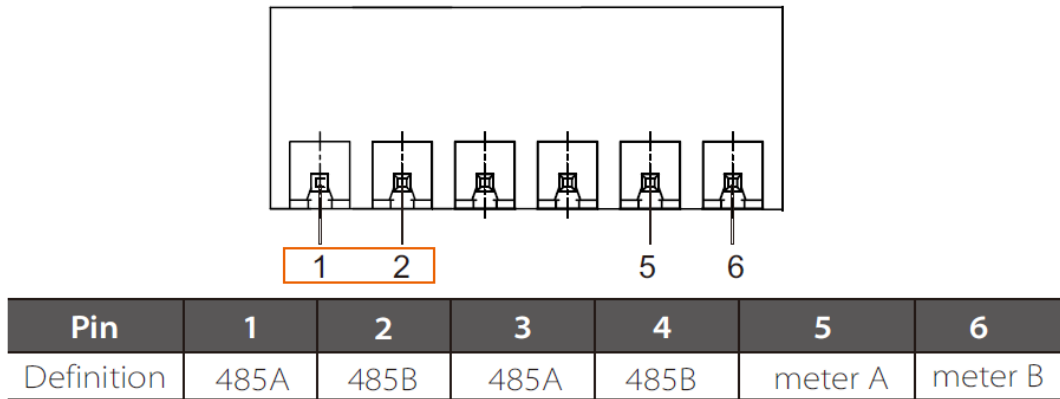
2.2 Distinguish different inverter models, connect the other end of the communication cable to the corresponding port of inverter, and complete the connection of the meter/CT.

Table: Port for connecting with the EV-Charger on the Inverter

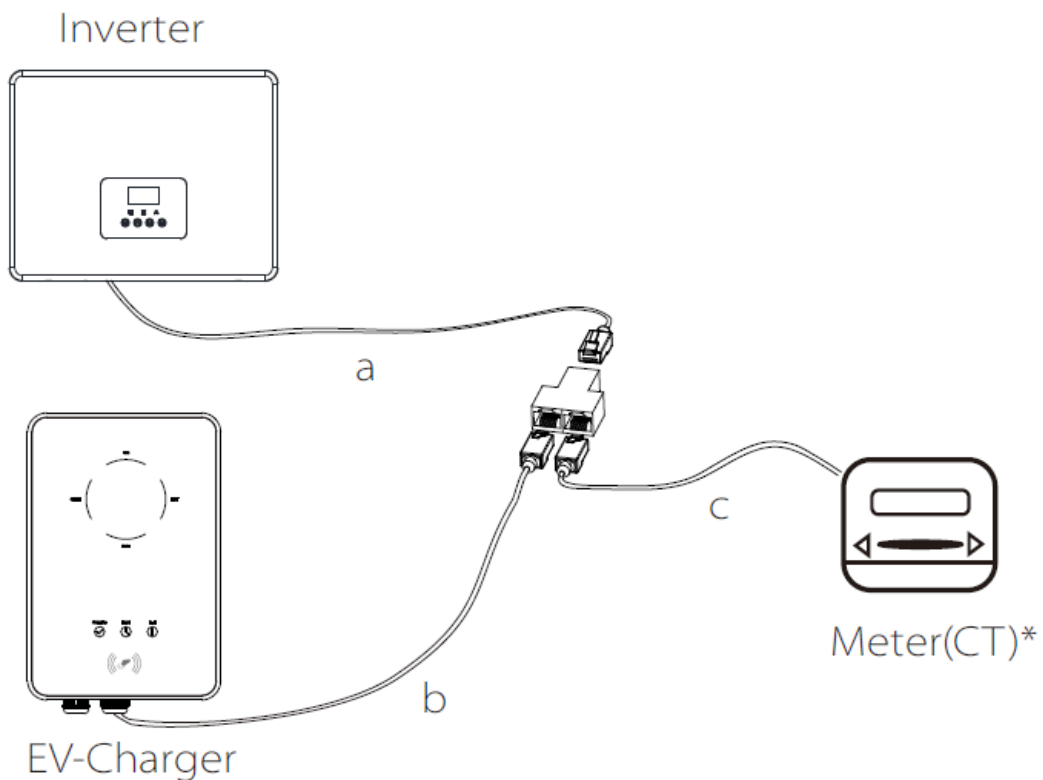
Inverter	X1-Hybrid G4	X3-Hybrid G4	X3-PRO G2	X3-MIC G2	X1-Mini G3	X1-Boost G3
Port	COM	COM	RS485	RS485	RS485	RS485

1) For X1-Hybrid G4 & X3-Hybrid G4, connect the other end of the communication cable to the corresponding port directly. Connect the meter/CT to the "Meter/CT" port of the inverter.

- 2) For X3-PRO G2, connect the two wires (Blue and White with blue stripes) at the other end of the communication cable to PIN 1 & 2 of the "RS485" port of the inverter. Connect meter to PIN 5 & 6 of the "RS485" port of inverter.



- 3) For X3-MIC G2, X1-Mini G3 & X1-Boost G3, a splitter is needed and the splitter should be placed in a waterproof place. Please refer to the following figure for connection.

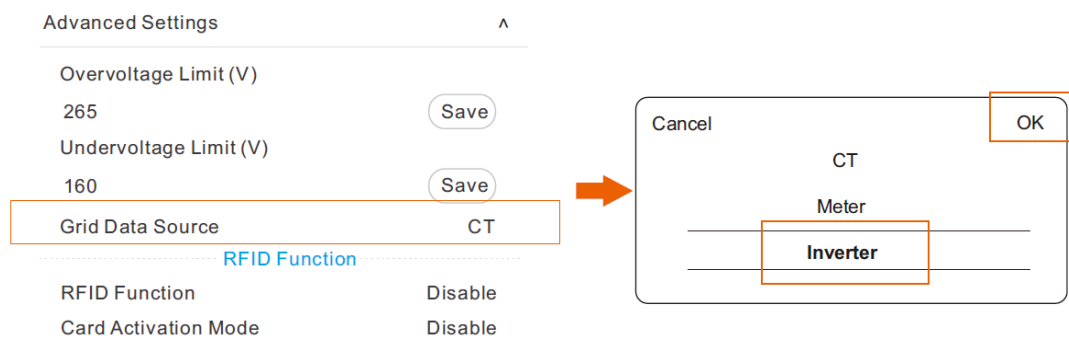


* For X3-PRO G2 & X3-MIC G2, the energy system must connect with a meter.

3 Settings

4.1 EV-Charger setting

- 1) When the EV-Charger is powered on, follow the instructions in the user manual to download the APP, complete the Wi-Fi connection and login.
- 2) Select "Advanced Settings" and set the "Grid Data Source" as "Inverter" as shown below and touch "OK" to confirm. The buzzer of the EV-Charger will beep after the setting is succeeded.

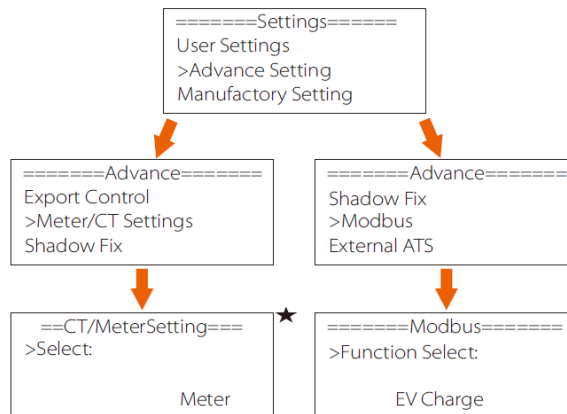


4.2 Settings for the Inverter

- 1) Make sure the inverter is in Normal state, or the settings won't take effect.
- 2) Complete the settings as follows according to different series of the inverter.

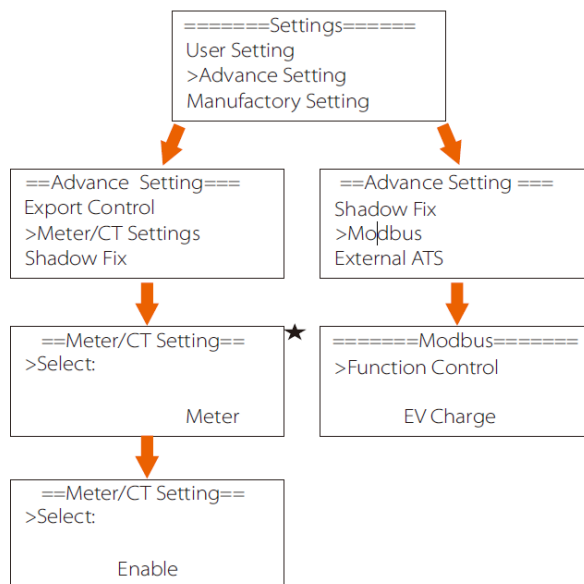
(For reference only; the actual screen display may differ slightly.)

- For X1-Hybrid G4:



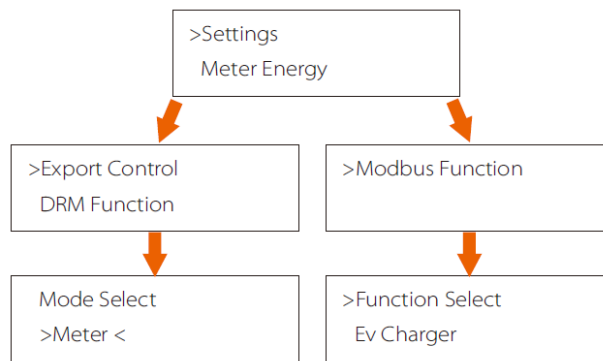
*Select "Meter" or "CT" according to the actual connection.

- For X3-Hybrid G4:

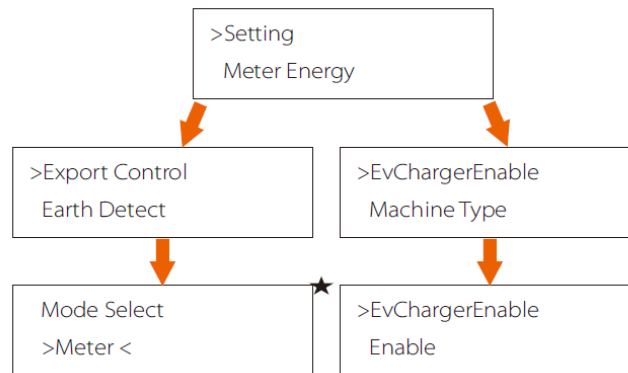


* Select "Meter" or "CT" according to the actual connection.

-
- For X3-PRO G2 & X3-MIC G2:



- For X1-Mini G3 & X1-Boost G3:



*Select "Meter" or "CT" according to the actual connection.

Notes:

All the operations described in this guide can only be performed by qualified electricians with a good knowledge of the characteristics and maintenance of the smart EV-Charger and the inverter. Any operations are prohibited before reading this guide and the relevant manual carefully.

All the settings for the smart EV-Charger and the inverter need to refer to the corresponding manual strictly. SolaX Power will not be responsible for any damages or harms caused by improper setting.