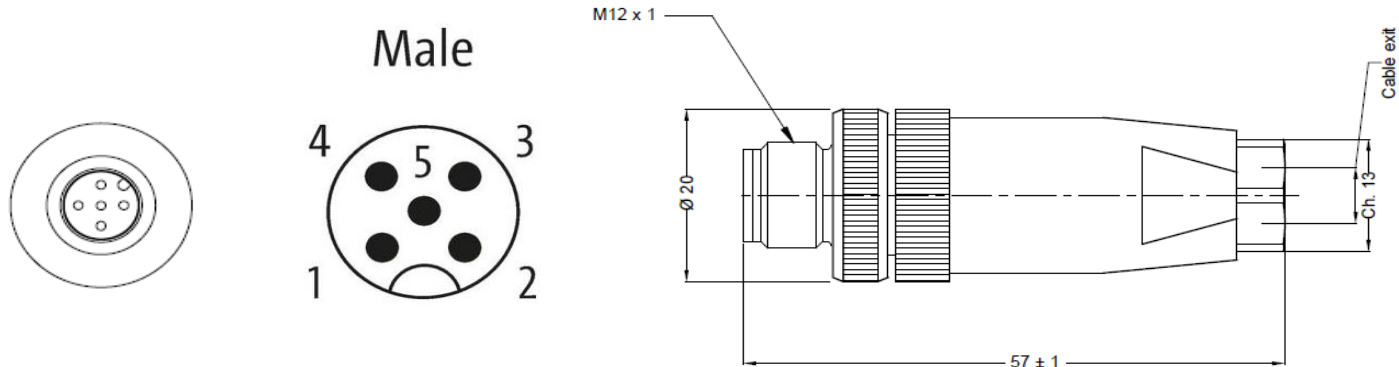


**M12 male 0° A-cod. screw terminal, 5-pol.**

Technical Data	
Wire cross section:	AWG20/max.0,5mmq
Cable $\varnothing$ :	3 – 6 mm
Standard:	IEC 61076-2-101
Rated Voltage:	60 V
Rated Current:	4 A
Insulation:	$\geq 100\text{M}\Omega$ (IEC60512)
Contact resistance:	$\leq 10\text{mohm}$
Fixing screw torque:	min 0,5; max 0,8 N/m
Temperature range:	-30°C...+80°C
Housing Color:	Black
Protection Class:	IP67 (when mounted correctly)
Contact Material:	CuZn gold plated
Overmoulding material:	PA6
Coupling nut material:	CuZn nikel plated
O-Ring Material:	
Contact holder material:	PA6



**CODIFICA CODICE / CODING CODE**  
**CRM12-5V-P**

CRM	12	5	V	P
<u>Series</u>	M12 M8	4 pin 5 pin 8 pin	R Female V Male	K Angle P Straight

Vista frontale <i>Face view</i>	Chiave/poli <i>Coding/poles</i>	Tensione <i>Voltage (V)</i>	Corrente max <i>Max current (A)</i>	Colore testina <i>Housing color</i>
	A/4	250	4	Nero Black
	A/5	60	4	Nero Black
	A/8	30	2	Nero Black