

Applicable Model

E12

Drawing Title

Intercom Panel

Drawing Unit

mm

Drawing Scale

Not to scale

**DRAFT
SUBJECT TO
CHANGE**

Last Revised

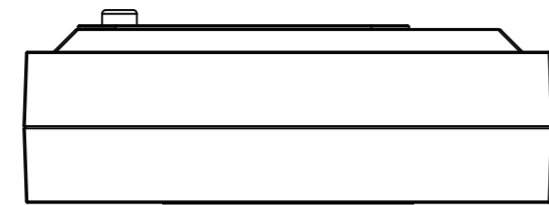
Mar 30,2021

Drawing Version

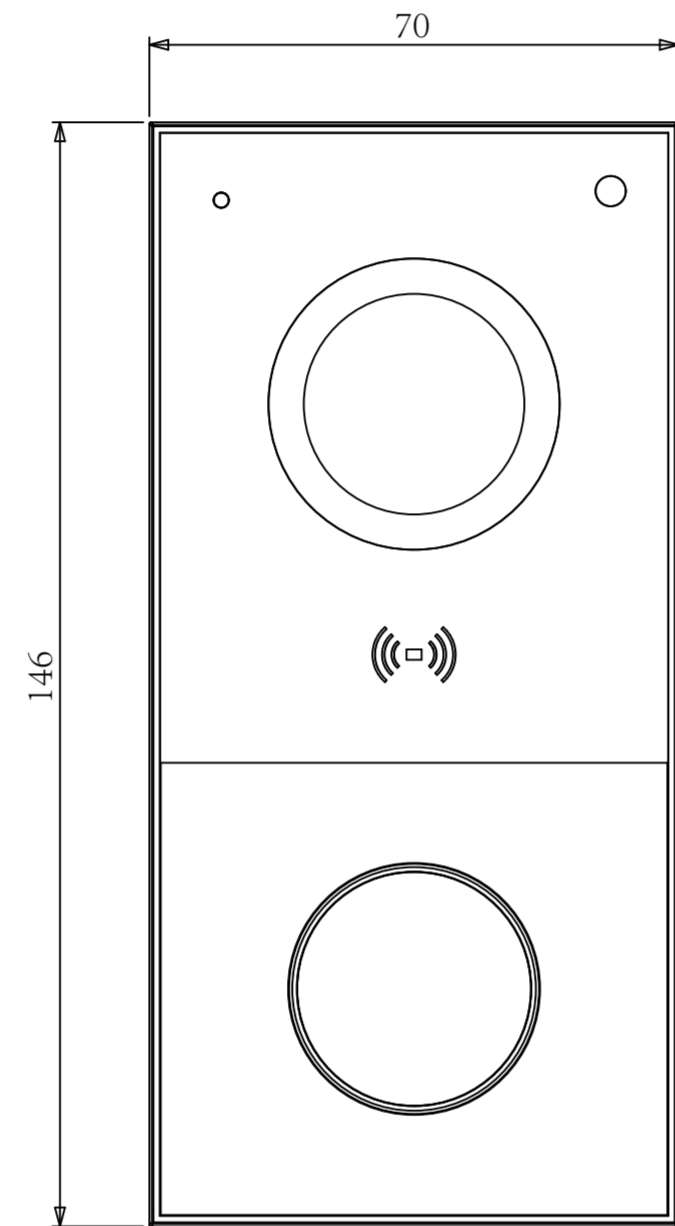
V1.0

Page

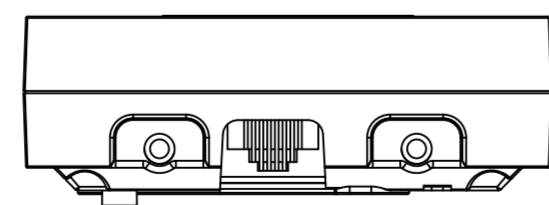
1 of 3



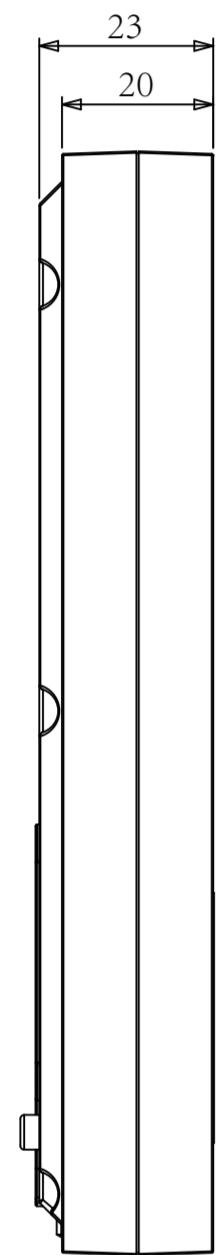
5 TOP VIEW



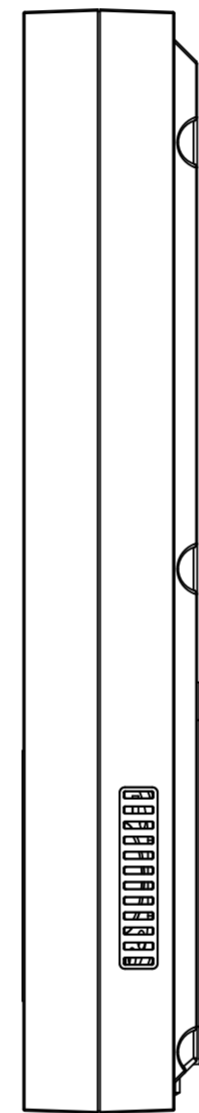
1 FRONT VIEW



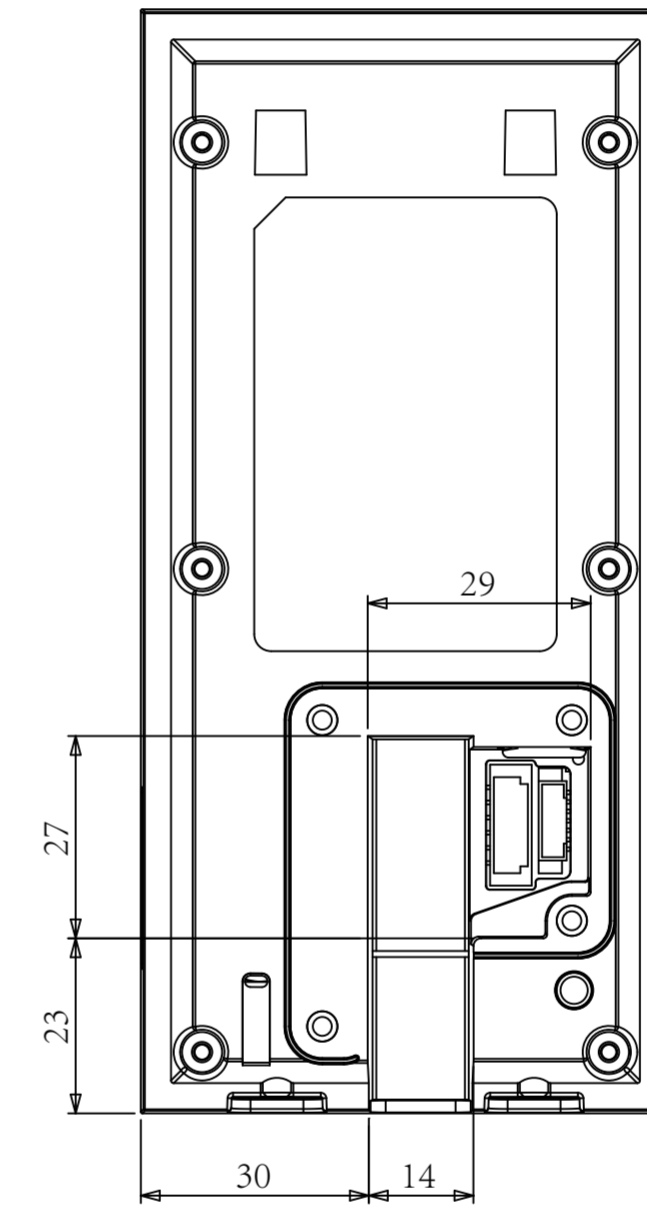
6 BOTTOM VIEW



2 RIGHT VIEW



3 LEFT VIEW



4 BACK VIEW

Applicable Model

E12

Drawing Title

Wall Mounting Bracket

Drawing Unit

mm

Drawing Scale

Not to scale

**DRAFT
SUBJECT TO
CHANGE**

Last Revised

Mar 30,2021

Drawing Version

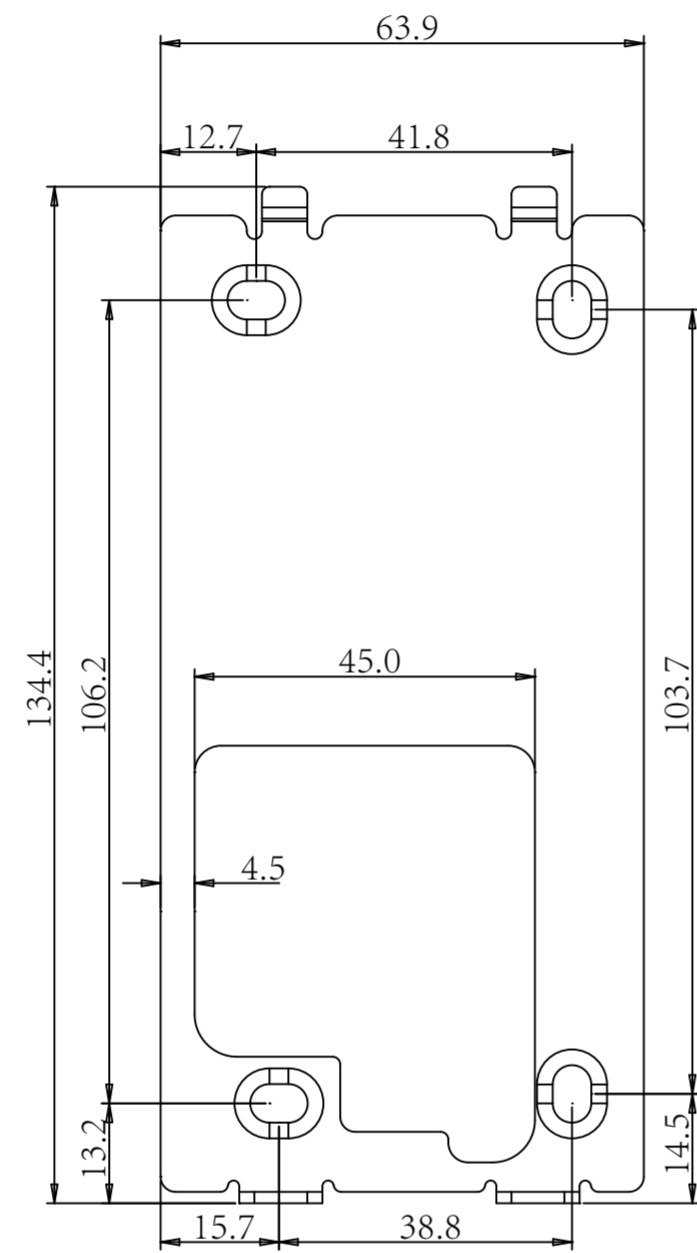
V1.0

Page

2 of 3



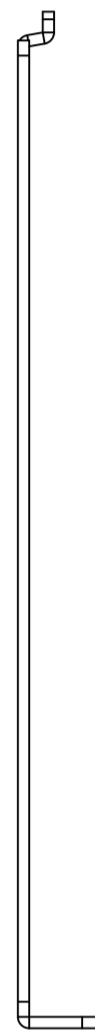
5 **TOP VIEW**



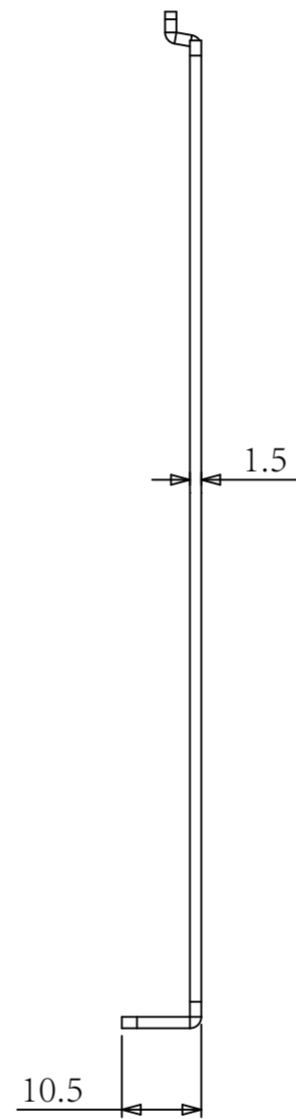
1 **FRONT VIEW**



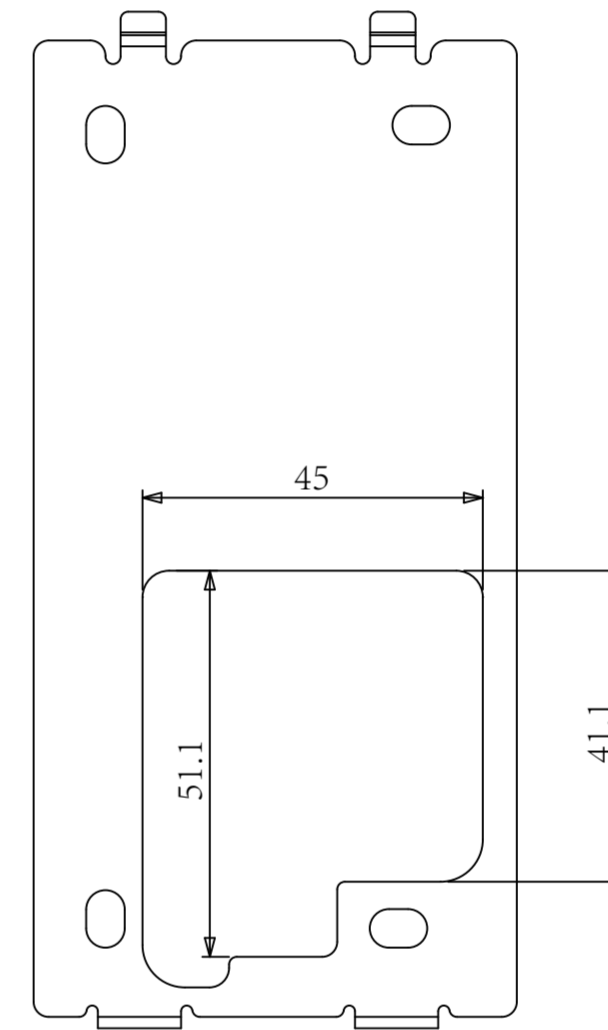
6 **BOTTOM VIEW**



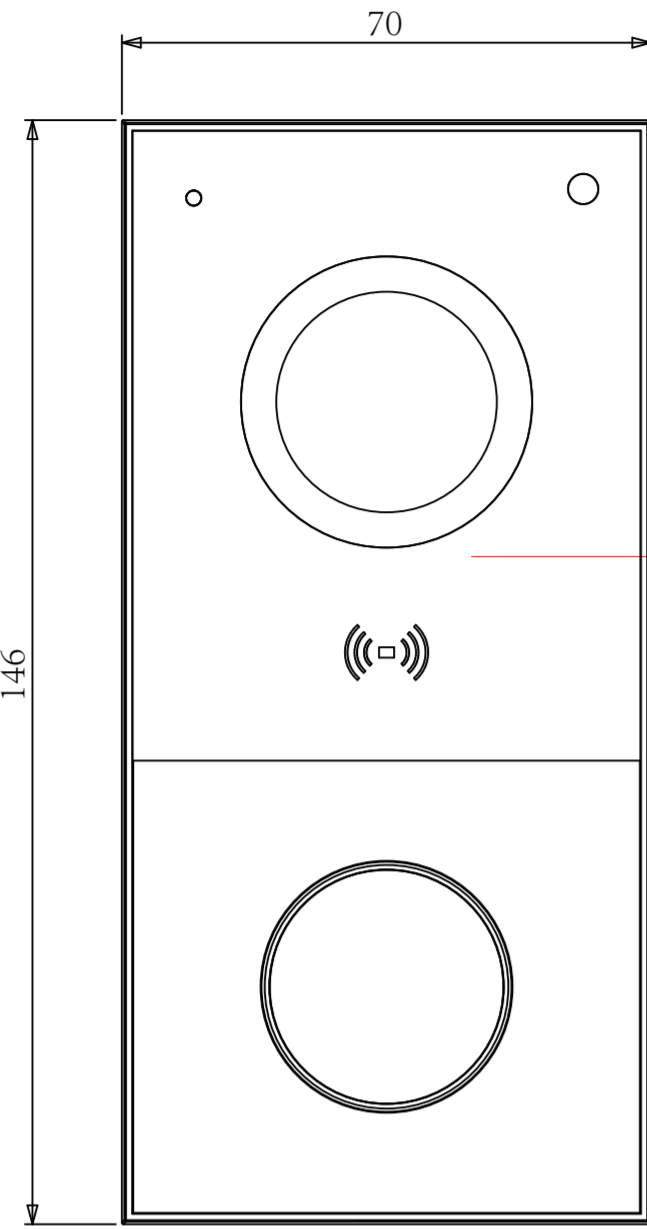
2 **RIGHT VIEW**



3 **LEFT VIEW**



4 **BACK VIEW**



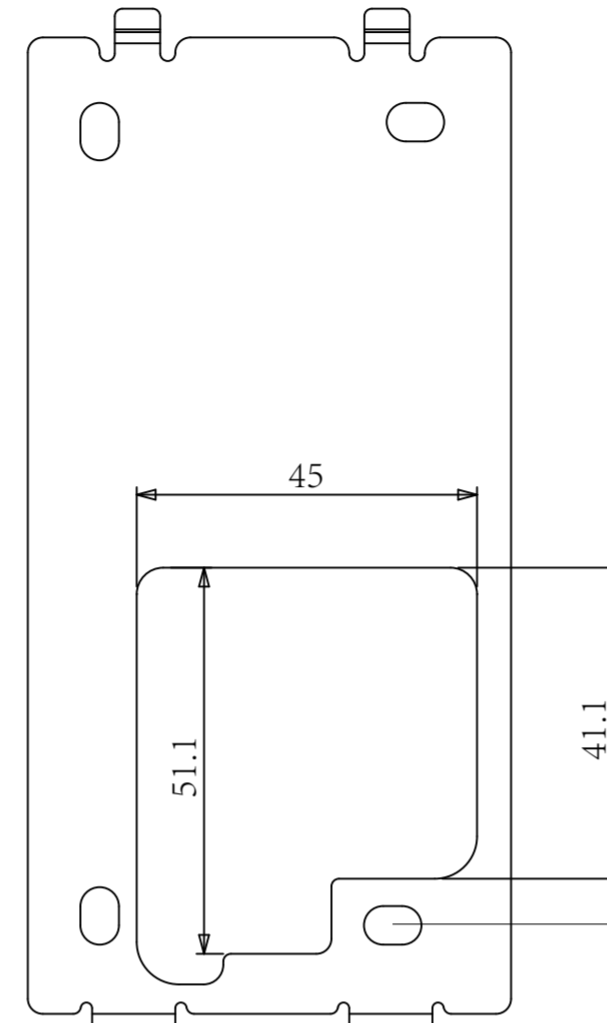
1 INTERCOM PANEL FRONT VIEW

1132mm TO BOTTOM OF PANEL

1220mm MAX TO TOP OF USABLE PARTS

ADA Compliance Requirement

GROUND

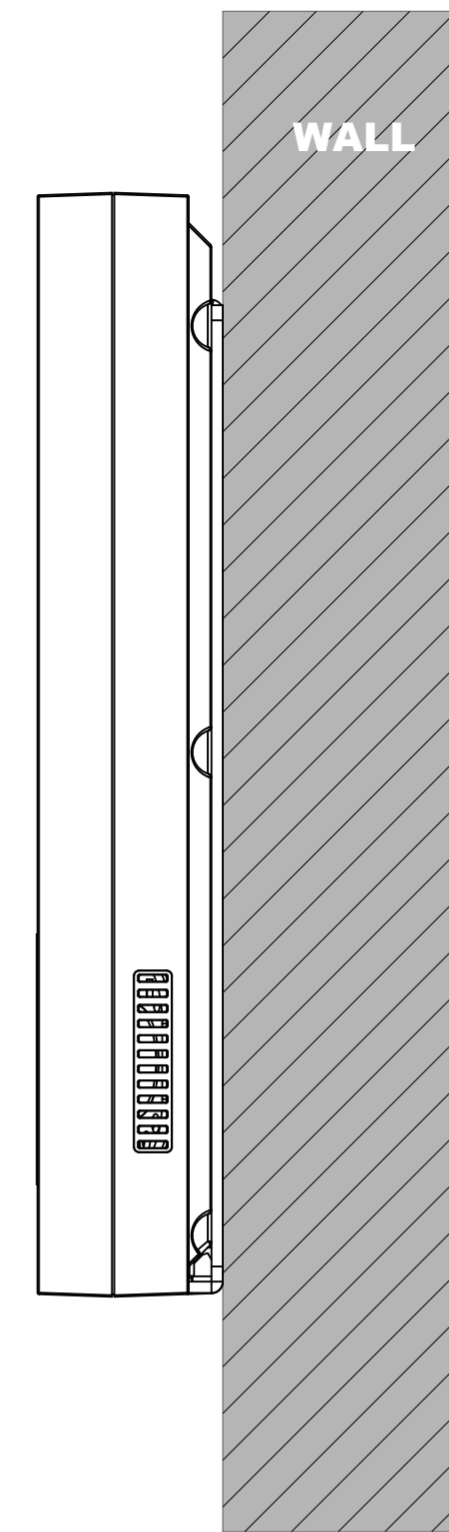


2 FRONT VIEW:WALL MOUNTING BRACKET PLACEMENT

1132mm TO BOTTOM OF BRACKET

1147mm TO SCREW HOLE CENTER OF BRACKET

GROUND



3 SIDE VIEW:INTERCOM PANEL ON WALL

Applicable Model

E12

Drawing Title

Placement

Drawing Unit

mm

Drawing Scale

Not to scale

**DRAFT
SUBJECT TO
CHANGE**

Last Revised

Mar 30,2021

Drawing Version

V1.0

Page

3 of 3