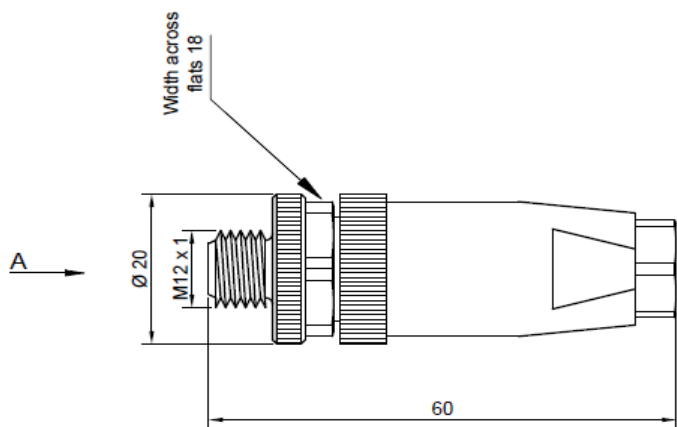
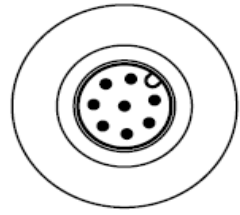
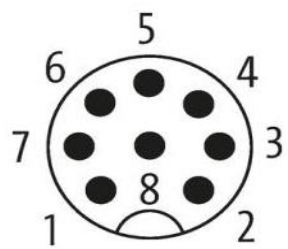


**M12 male 0° A-cod. screw terminal, 8-pol.**

Technical Data	
Wire cross section:	AWG20/max.0,5mmq
Cable Ø:	4 – 6 mm
Standard:	IEC 61076-2-101
Rated Voltage:	30 V
Rated Current:	2 A
Insulation:	≥100MΩ (IEC60512)
Contact resistance:	≤10mohm
Fixing screw torque:	min 0,5; max 0,8 N/m
Temperature range:	-30°C...+80°C
Housing Color:	Black
Protection Class:	IP67 (when mounted correctly)
Contact Material:	CuZn gold plated
Overmoulding material:	PA6
Coupling nut material:	CuZn nikel plated
O-Ring Material:	NBR
Contact holder material:	PA6



Male



**CODIFICA CODICE / CODING CODE**  
**CRM12-8V-P**

CRM	12	8	V	P
Series	M12 M8	4 pin 5 pin 8 pin	R Female V Male	K Angle P Straight

Vista frontale Face view	Chiave/poli Coding/poles	Tensione Voltage (V)	Corrente max Max current (A)	Colore testina Housing color
	A/4	250	4	Nero Black
	A/5	60	4	Nero Black
	A/8	30	2	Nero Black