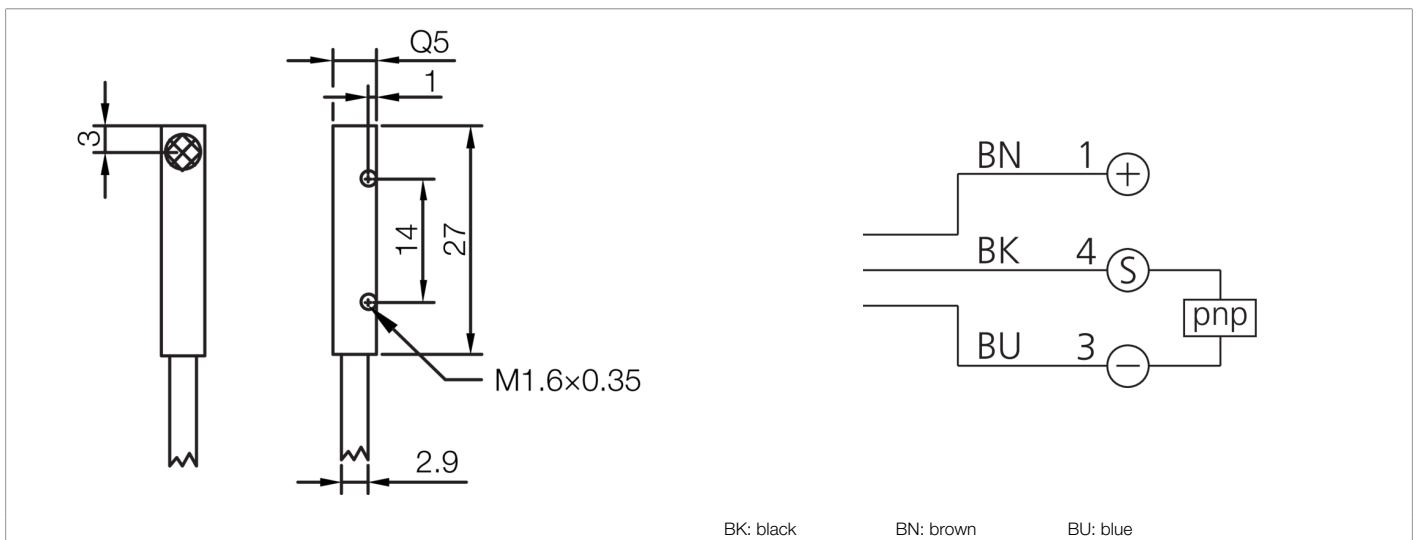
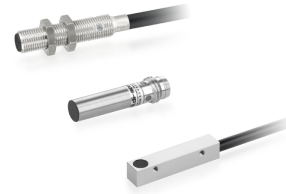




**213241**  
**INSM-Q05-B0.8PS-2C**  
**Inductive proximity sensor**

- Single switching distance
- Highly flexible cable
- Short-circuit protection
- LED switching status display
- High protection type



Function													

Technical data (typ.)	+20°C, 24 V DC
Service voltage	10 ... 30 V DC
Internal power consumption	10 mA
Insulation voltage endurance	< 500 V DC
Installation type	Flush
Housing dimensions	5 x 5 mm
Housing length	27 mm
Housing height	5 mm
Housing width	5 mm
Housing material	Brass (nickel-plated)
Material of cable	PVC
Protection class	III, operation on protective low voltage
Operating principle	inductive
Evaluation	digital
Design	Cuboid design
Characteristics	Single switching distance
Product series	INM-100 Miniature
Switching output	pnp, 200 mA, NO
Voltage drop (max.)	1,5 V DC
Switching distance (SN)	0,8 mm
Standardized measuring plate	5 x 5 x 1 mm



**213241**

**INSM-Q05-B0.8PS-2C**

**Inductive proximity sensor**

<b>Technical data (typ.)</b>	<b>+20°C, 24 V DC</b>
Switching hysteresis (max.)	< 15 %
LED Anzeige	Yes
Switching frequency	2.000 Hz
Ambient temperature during operation	-25 ... +70 °C
Protection type	IP 67
Connection	Cable, 2,0 m
<b>More information / accessories</b>	<b><a href="https://www.di-soric.com/213241">https://www.di-soric.com/213241</a></b>