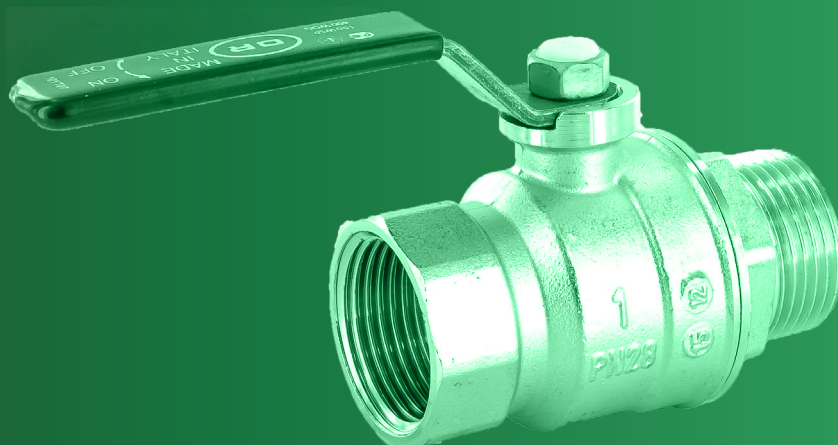




BALL VALVE AUREA STRAIGHT WITH LEVER

CONNECTIONS: MALE - FEMALE



DESCRIPTION

The ball valves AUREA, 1105 series, are shut off valves with full bore passage. They can be installed in drinking water systems as well as in heating and air conditioning systems. The research to obtain the maximum strength for all components, renders the ball valve AUREA a highly reliable and functional device. The special seals enable the valve to work under a constant temperature up to 140°C.

TECHNICAL FEATURES

Pressure:

maximum allowable working pressure 1/2" - 3/4" (PN) 35 bar
 maximum allowable working pressure 1 ÷ 2" (PN) 28 bar

Temperature:

maximum working temperature (Ts) from 0°C (excluding ice) to 140°C

Compatible fluids:

water

heat transfer fluids

glycolate solutions

in compliance with Italian national standards UNI 8065 § 6 glycol 50%

Threading:

pipeline connections

threads according to ISO 228/1

Flow coefficient (Kv) (m³/h):

1/2" = 12,7

3/4" = 24,6

1" = 48,5

1"1/4 = 98

1"1/2 = 140

2" = 211

Tests:

shell tightness

UNI EN 13828

DESIGN

Body and sleeve

brass EN 12165-CW617N with chrome-plated coating

Lever

PVC coating and anti-corrosion treatment steel

Ball

brass EN12165-CW617N with chrome-plated coating

Other components in brass

brass EN12164-CW614N

O-ring gasket

FKM rubber

Seat washers

PTFE

Other sealing elements

PTFE

Hexagonal nut

anti-corrosion treatment steel

CODICI PRODOTTO

1105.015	male/female	1/2"
1105.020	male/female	3/4"
1105.025	male/female	1"
1105.033	male/female	1" 1/4
1105.042	male/female	1" 1/2
1105.050	male/female	2"

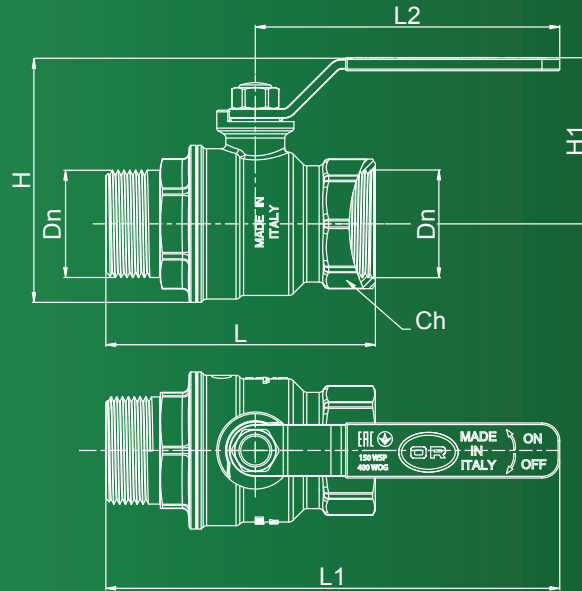
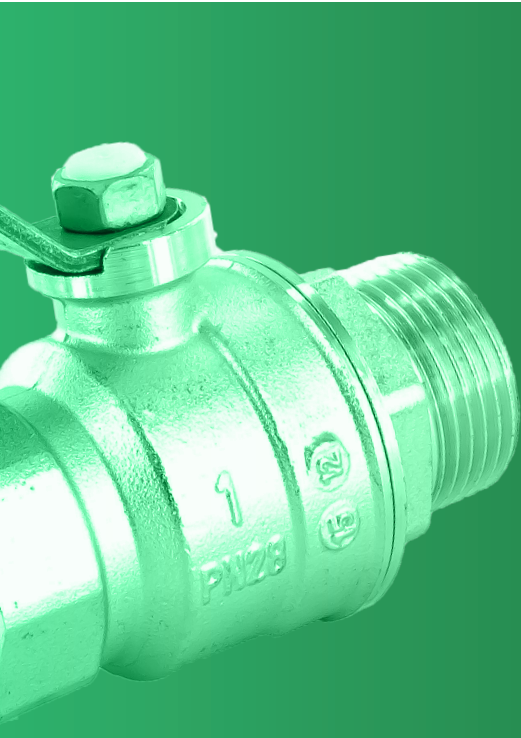


OFFICINE RIGAMONTI S.p.A.
 via Circonvallazione, 9
 13018 Valduggia (VC), ITALY
 TEL. +39 0163.48165
 FAX +39 0163.47254
 www.officinerigamonti.it
 export@officinerigamonti.it

1105 • 1/2" ÷ 2"

BALL VALVE AUREA STRAIGHT WITH LEVER

CONNECTIONS: MALE - FEMALE



FEATURES

Dn	L [mm]	L1 [mm]	L2 [mm]	H [mm]	H1 [mm]	Ch [mm]
1/2"	66	116	77	52	36	25
3/4"	74	138	95	67	47	31
1"	86	143	95	76	52	38
1"1/4	100	152	95	85	56	47
1"1/2	110	199	137	105	70	54
2"	129	211	137	120	77	67

HEAD LOSS DIAGRAM

