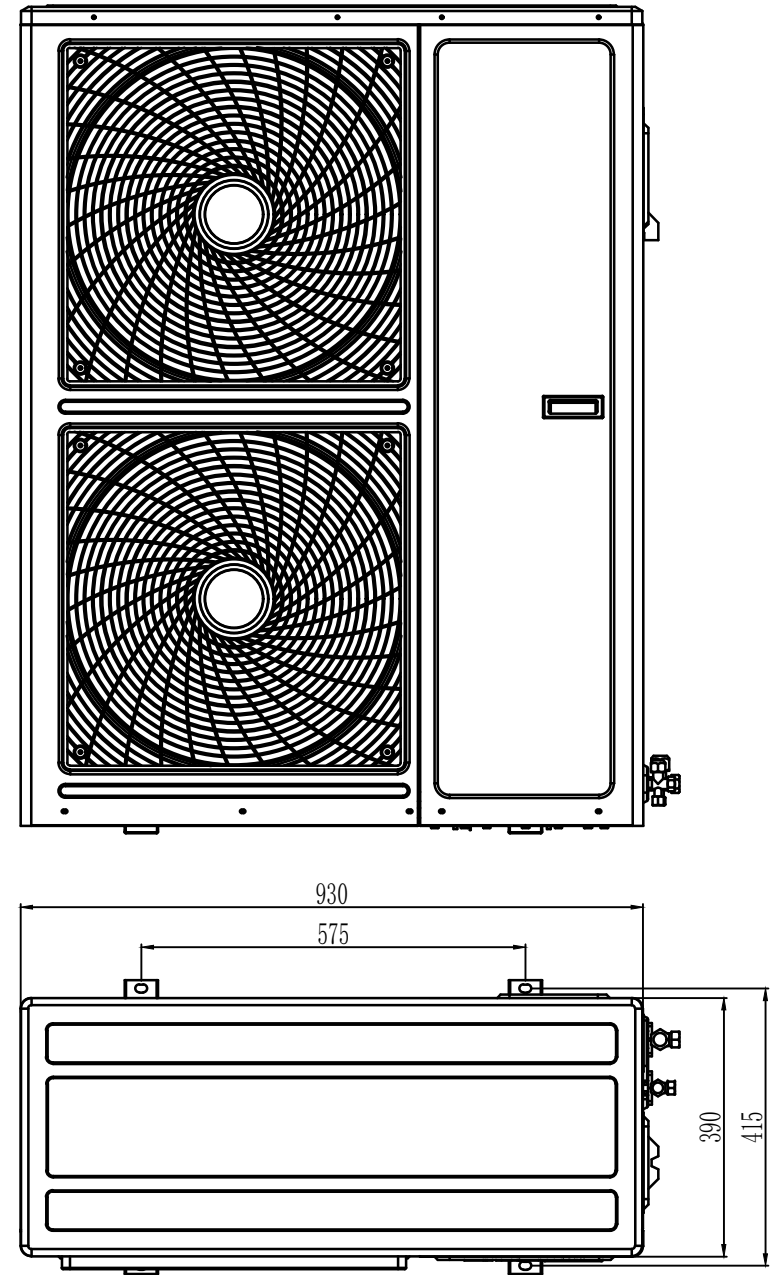
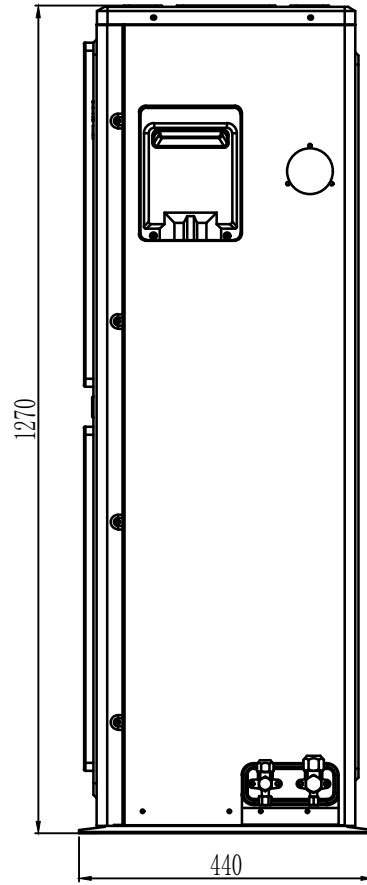
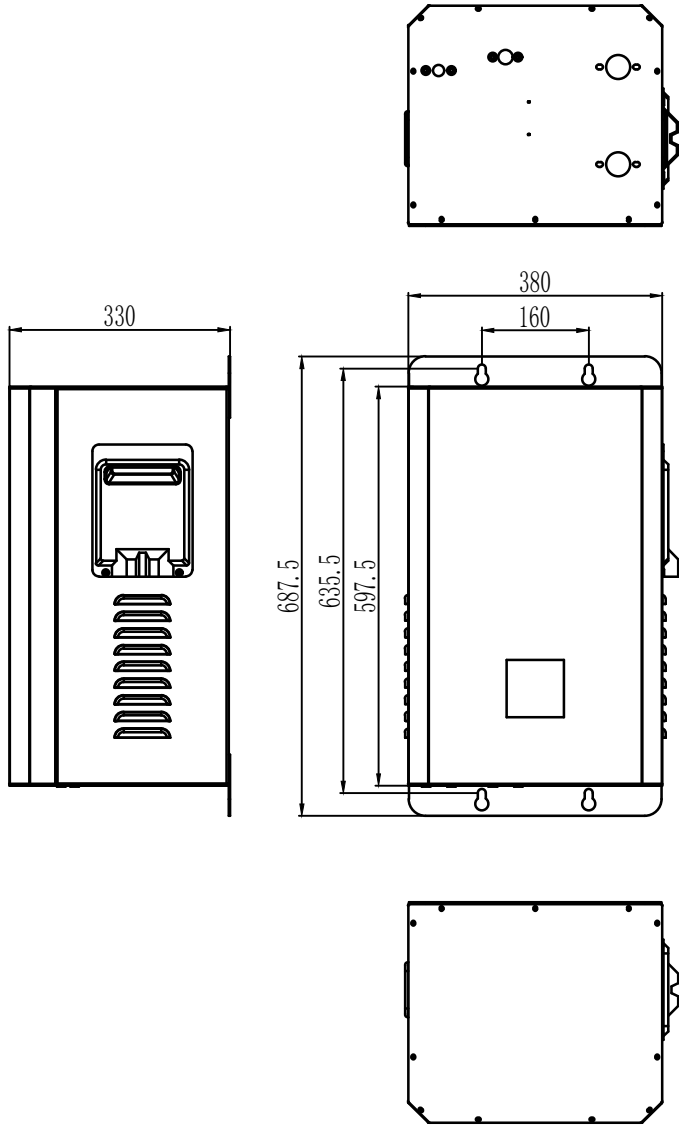


Indoor Unit

Outdoor Unit



15kW