
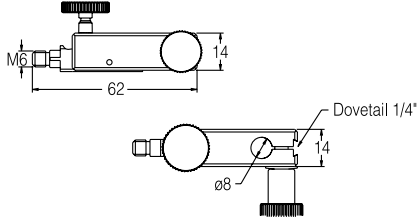

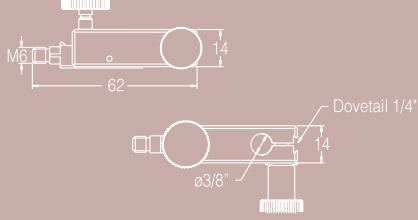

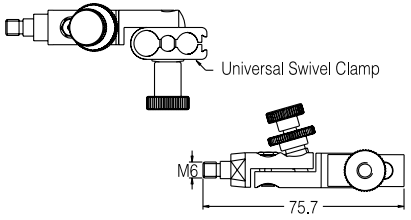

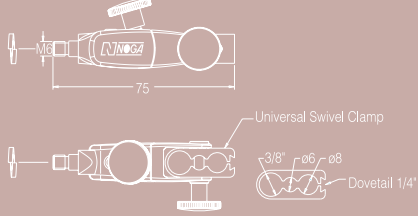


# Top Attachments

For dial & test indicators

<p><b>FA1300</b></p>	<p>M6</p>	<p>Plastic F.A. 8 mm</p>		 <p>Dovetail 1/4"</p> <p>ø8</p>
<p><b>FA1301</b></p>	<p>M6</p>	<p>Plastic F.A. 3/8"</p>		 <p>Dovetail 1/4"</p> <p>ø3/8"</p>
<p><b>FA1400</b></p>	<p>M6</p>	<p>2SM Metal F.A. 6 mm, 8 mm, 3/8"</p>		 <p>Universal Swivel Clamp</p> <p>75.7</p> <p>M6</p>
<p><b>FA1500</b></p>	<p>M6</p>	<p>Metal F.A. 6 mm, 8 mm, 3/8"</p>		 <p>Universal Swivel Clamp</p> <p>75</p> <p>3/8" ø6 ø8</p> <p>Dovetail 1/4"</p>

# Top Attachments

## Quick Release AD4000

Enables a quick change to the equipment without having to fiddle with screws and threads.

Simply pull back the red sleeve and slot in the Noga arm into the Quick Release attachment.

Quick Release can be held by a range of Noga arms.

Features bottom external thread M6 and top external thread 1/4" UNC.



## Clamps for top attachment

<b>NF0125</b>	M6 EXT.	Clamp 1"		
<b>DG0125</b>	M6 EXT.	Clamp 2"		

## 45 mm Clamp CS4550


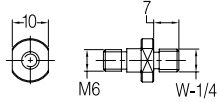

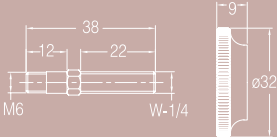

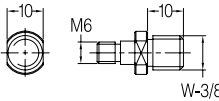

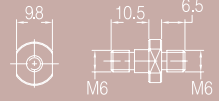

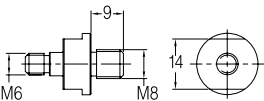

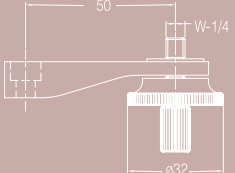
The strong CS4550 clamp with its special soft grip expands onto round and flat surfaces up to 45 mm.

Features internal threads: 2 x 1/4", 2 x 3/8", 1 x 6 mm, 1 x 8 mm.


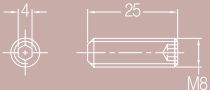


# Accessories

## M6 Adaptors

<b>AD6010</b>		
<b>AD6015</b>		
<b>AD6030</b>		
<b>AD6060</b>		
<b>AD6080</b>		
<b>MA0125</b>		

## M8 Adaptors

<b>AD8030</b>		
<b>AD8080</b>		
<b>M10 x 1.25 Adaptors</b>		
<b>AD1000</b>		
<b>AD1030</b>		
<b>AD1080</b>		

# Accessories


## 3 Point Clamp

	Dia. Post	Dia. Arm	
<b>PH1307</b>	8	8	For Holder PH5000
<b>PH0315</b>	10	8	For Holder PH3100
<b>PH0310</b>	14	12	For Holders: PH2040 PH6400 PH6410 
<b>PH0312</b>	16	16	For Holders: PH4016, PH6600, PH6610
<b>PH0313</b>	18	16	For Holders: PH6800, PH6810

## Knobs

<b>DG0160</b>	Knob for NF & DG Holders	
<b>MG1620</b>	Knob for MG Holders	
<b>MA0100</b>	Knob for MA Holders	

## Screws

<b>DG0340</b>	M5 x 9	Replacement screw for FA1500. 
<b>DG0141</b>	M4 x 12	Replacement screw for DG10503, DG10533, MG10503, MG10533, NF 10403, NF 10433, DG6160 & MG6161. 