

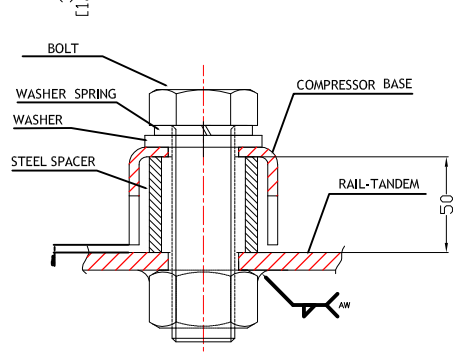
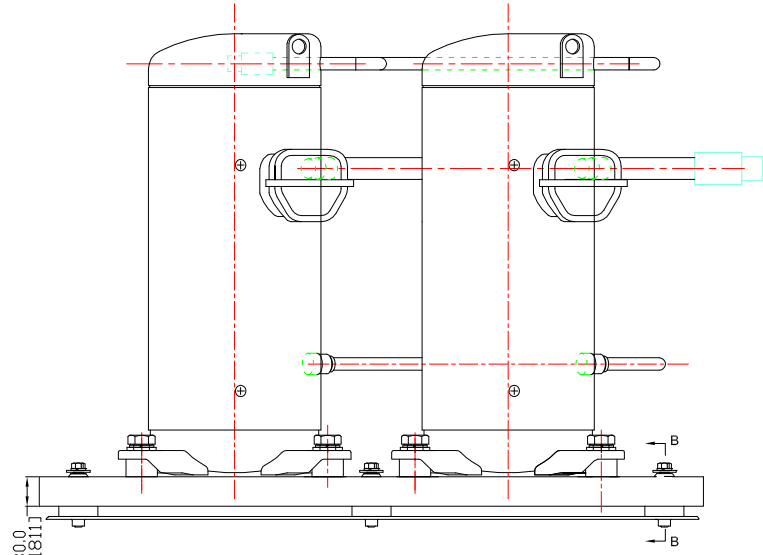
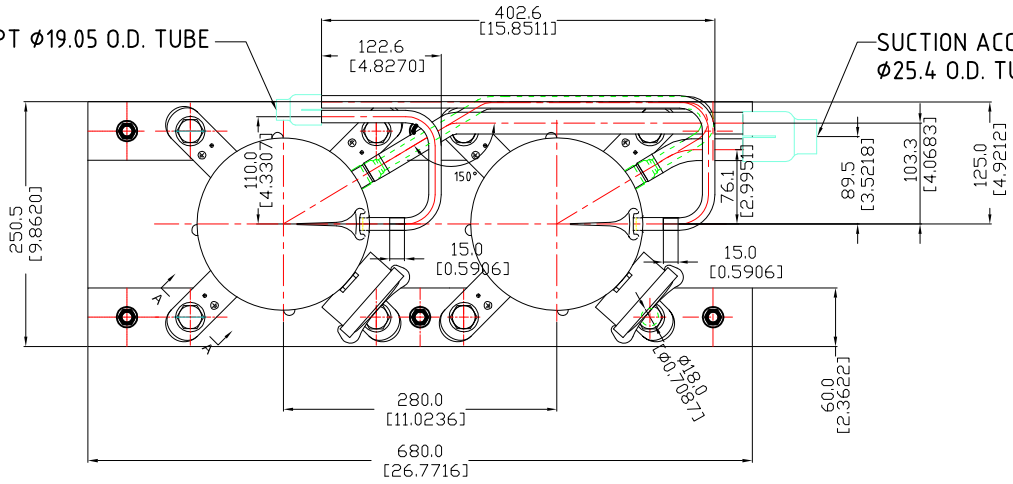
1	2	3	4
RevNo	Revision note	Date	Signature
			Checked

1. THIRD ANGLE PROJECTION

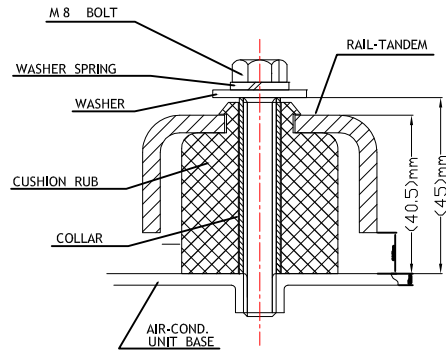


DISCHARGE ACCEPT Ø19.05 O.D. TUBE

SUCTION ACCEPT Ø25.4 O.D. TUBE



Section A--A



Section B--B

Itemref	Quantity	Title/Name, designation, material, dimension etc			Article No./Reference	
Designed by	Checked by	Approved by - date	File name	Date	Scale	
DSA			TANDEM COMPRESSOR			
			DRAWING_NUMBER		Edition	Sheet