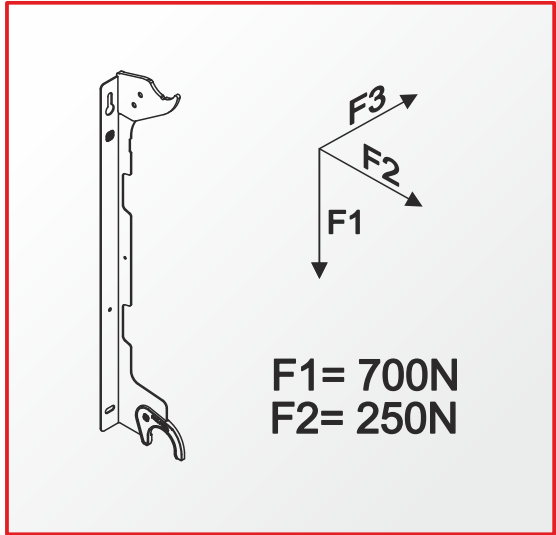
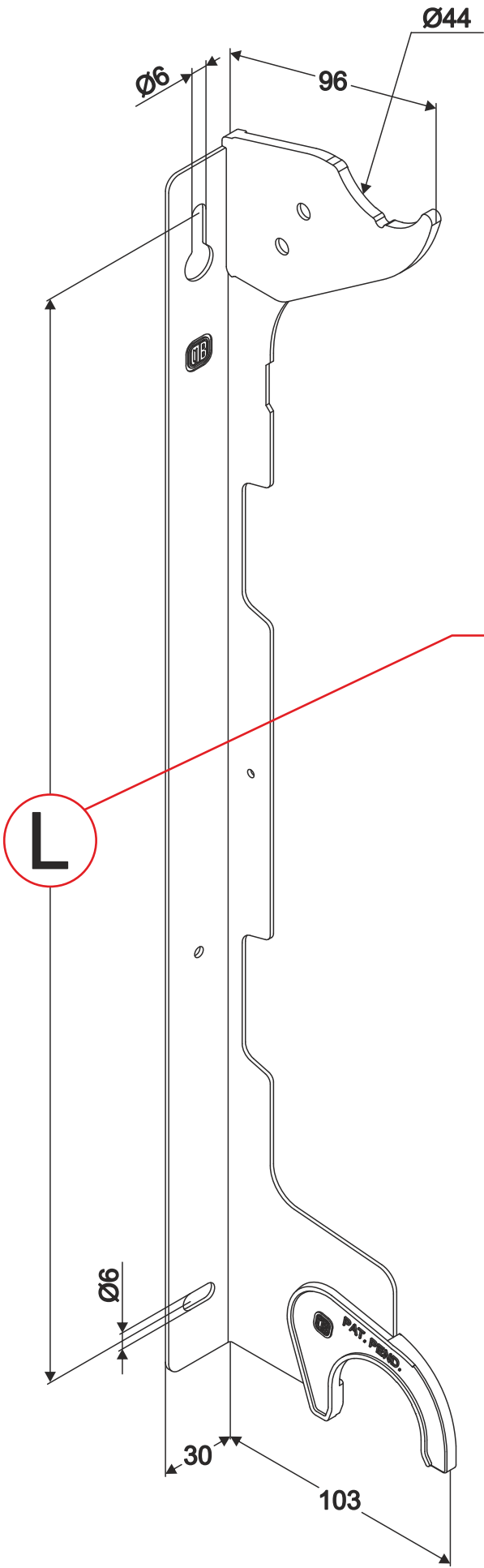


GBA



PATENTED

H350	→	L=284
H500	→	L=434
H600	→	L=534
H700	→	L=634
H800	→	L=734

