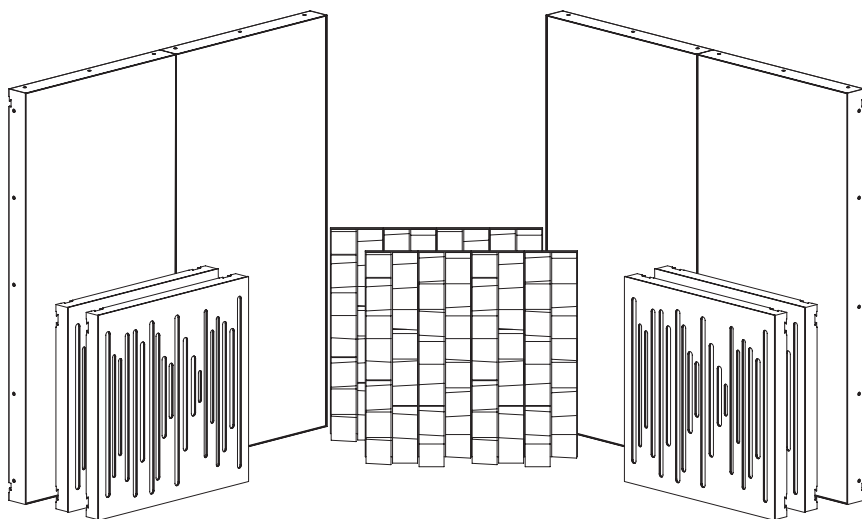


# VicAudiophile VMT Kit

Installation Manual

EN

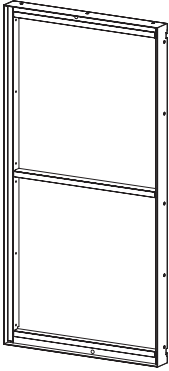


V//COUSTIC

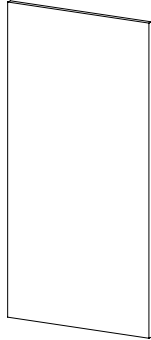


✓ MATERIAL NEEDED

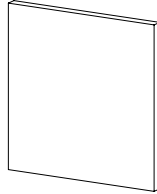
Included



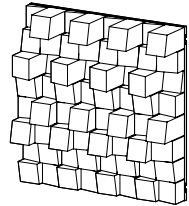
VicSpacer x4



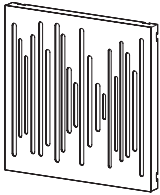
Flat Panel VMT x4



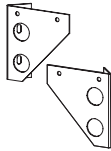
VicPET Wool x8



Multifuser 64 x2



VicPattern Ultra x4



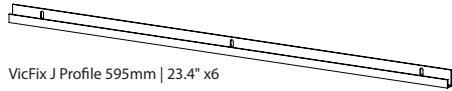
VicFix Corner 2+2



VicFix J Profile 80mm | 3.14" x4

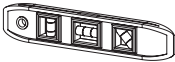


Flexi Glue Ultra



VicFix J Profile 595mm | 23.4" x6

Not Included



Level



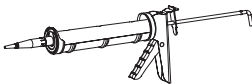
Measuring Tape



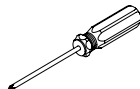
Drill



Wall Plugs and Screws



Caulking Gun



6mm Phillips Screwdriver

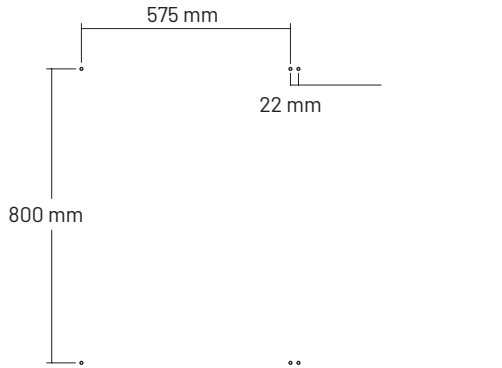
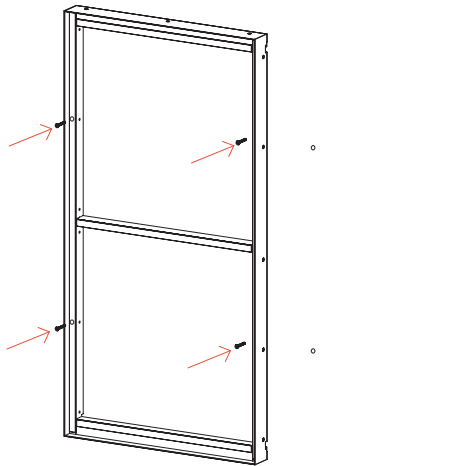
## VicSpacer Installation

### Wall Installation

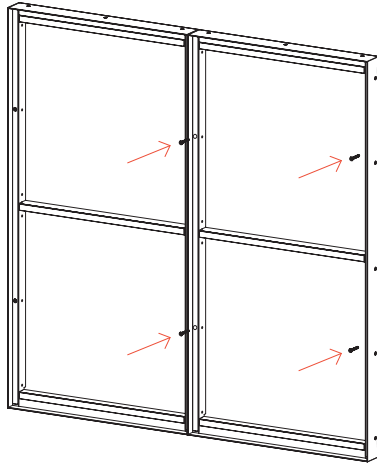
**1**

Mark the drill holes of the VicSpacers according to the diagram.

In the case of installing two or more units, pay attention to the spacing between units. The dimensions marked between VicSpacers are for use of only one metal joint between them.

**2**

3

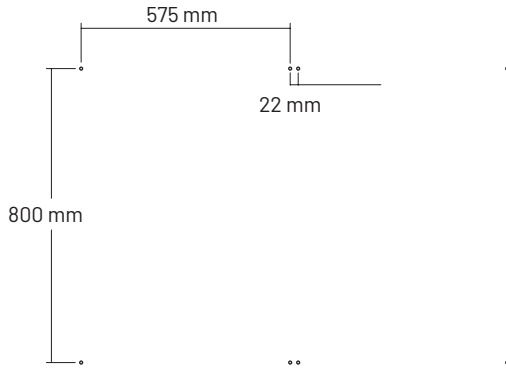
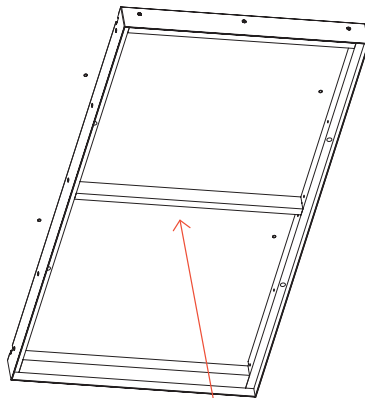


EN

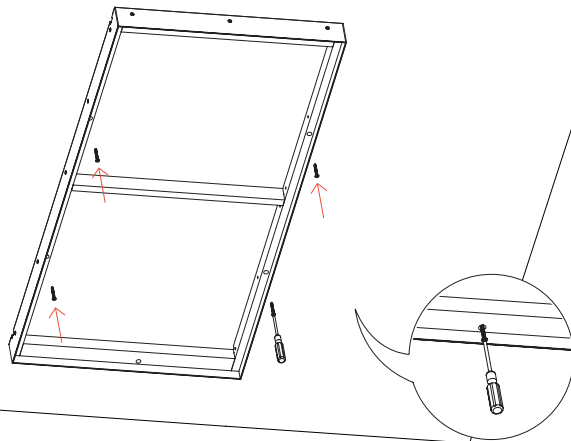
**Ceiling Installation****1**

Mark the drill holes of the VicSpacers according to the diagram.

In the case of installing two or more units, pay attention to the spacing between units. The dimensions marked between VicSpacers are for use of only one metal joint between them.

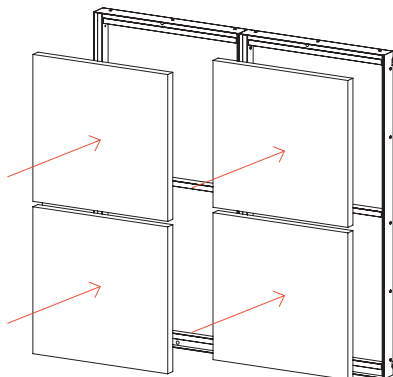
**2**

3



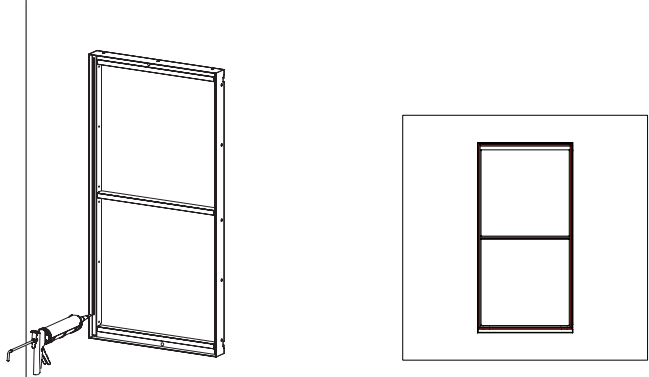
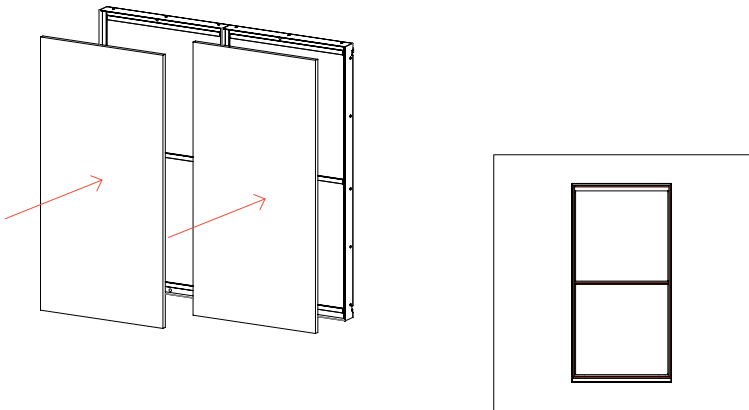
### Flat Panel VMT Installation

1



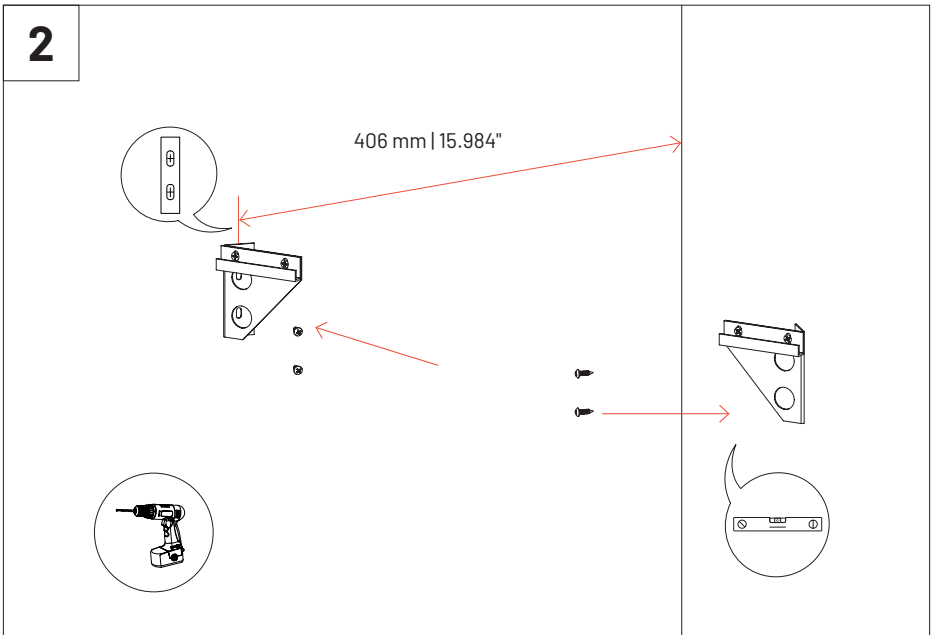
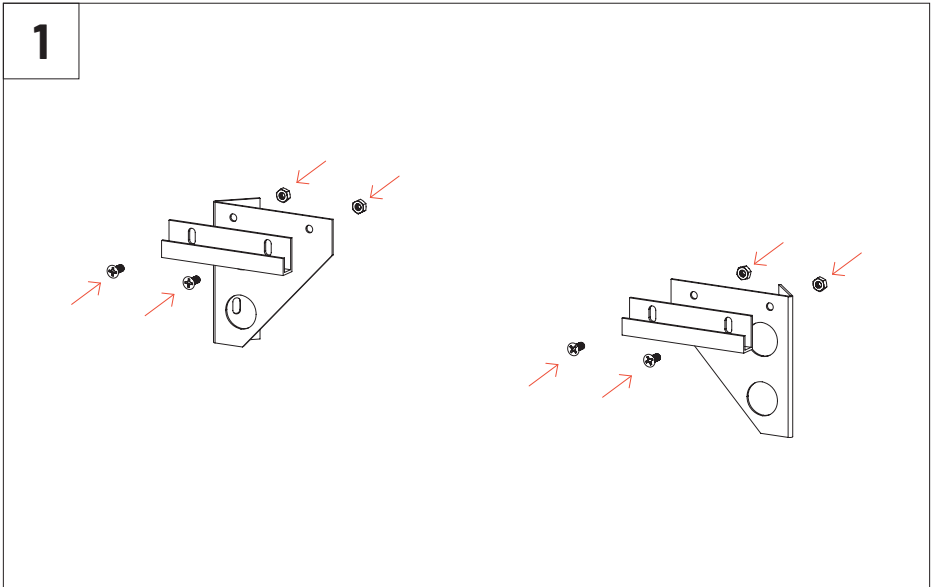
**2**

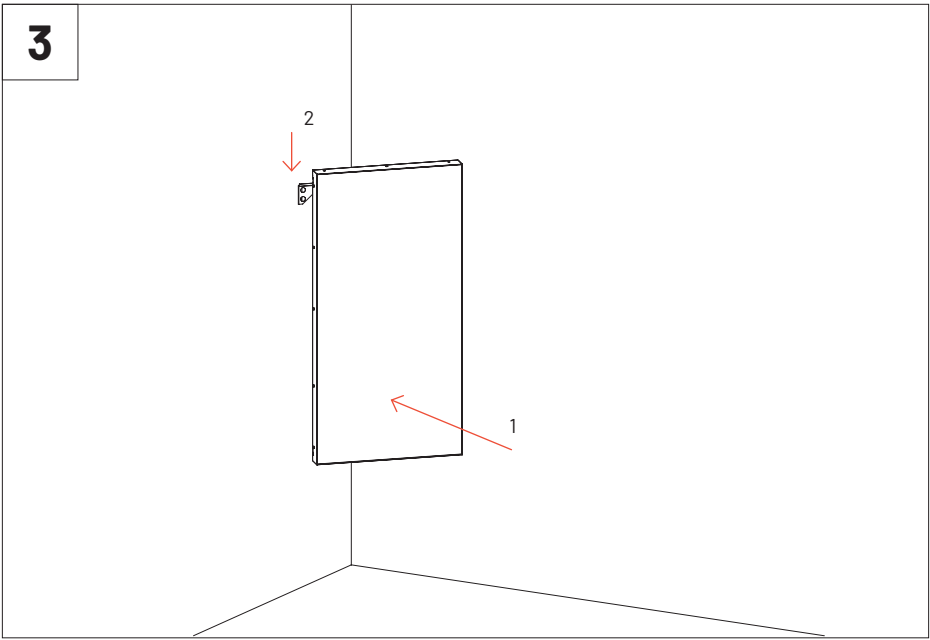
For wall installation and if you do not want a permanent fixation of the Flat Panel VMT, you can apply the panel directly to the Vicspacer, inserting it inside the metal frame. If you want a more secure and permanent fixation, fix the Flat Panel VMT with Flexi Glue Ultra by applying a bead of glue to the surface of the plywood structure and pressing it, to ensure an even and precise adherence. For ceiling installation, the Flat Panel VMT must be glued with Flexi Glue Ultra.

**3**

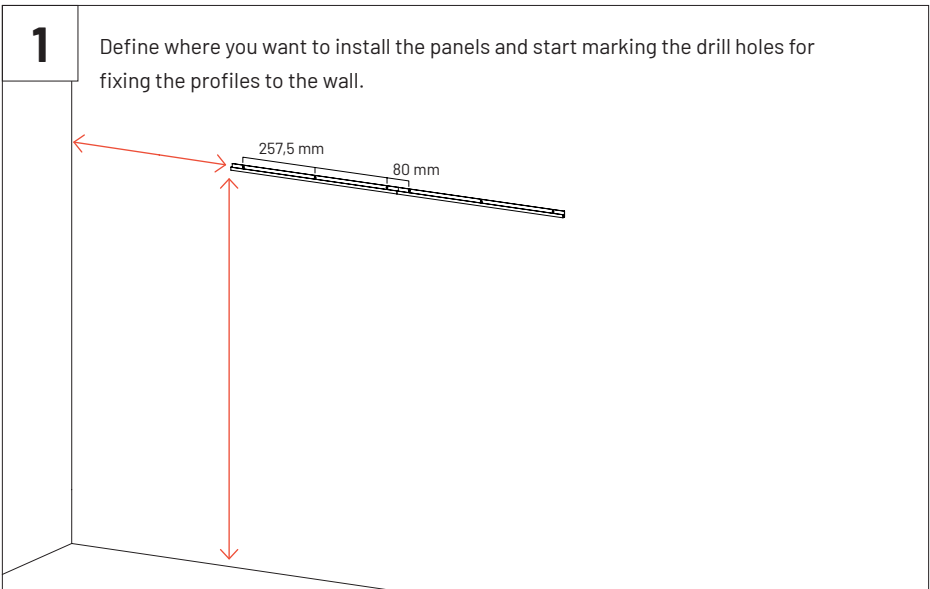


# VicFix Corner Installation

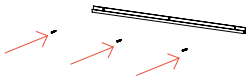




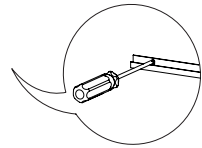
**VicPattern and Multifuser Wood MKII 64 Wall Installation**



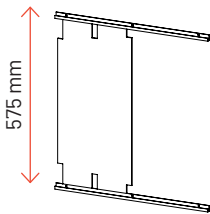
2



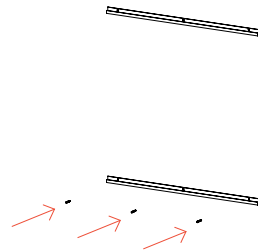
3

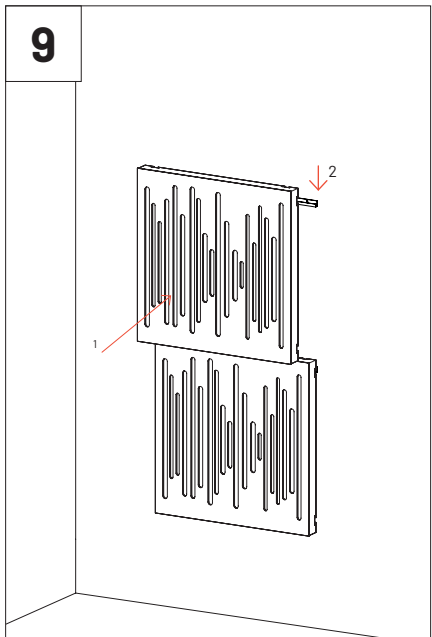
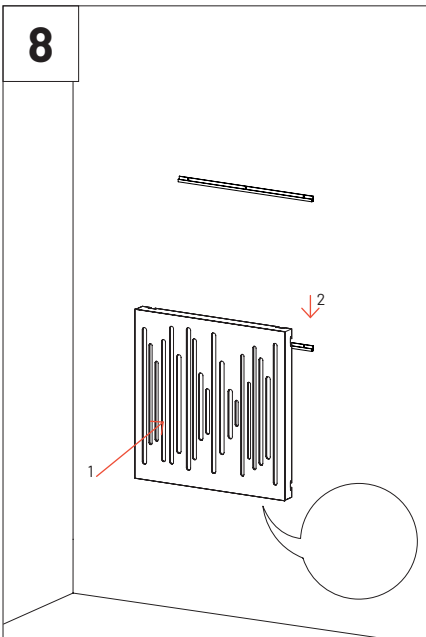
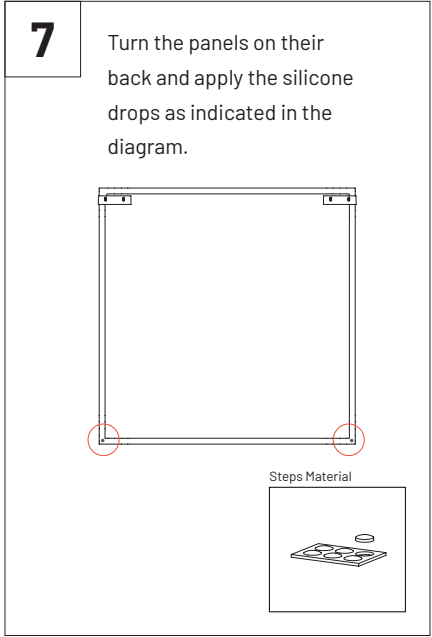
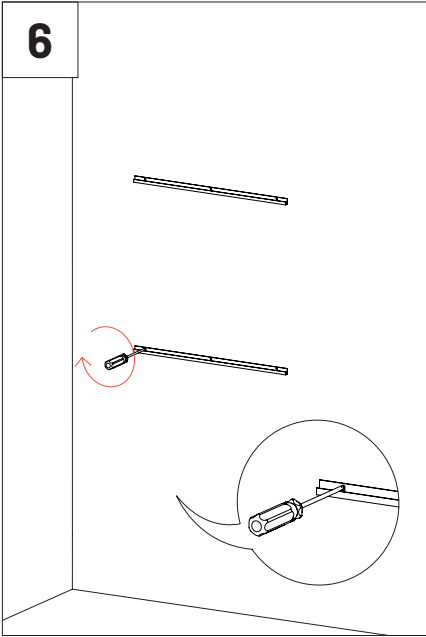


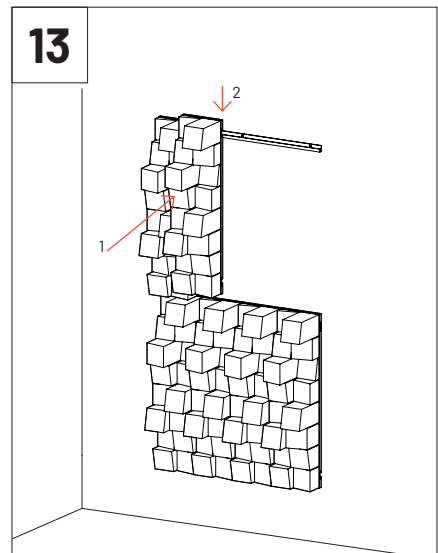
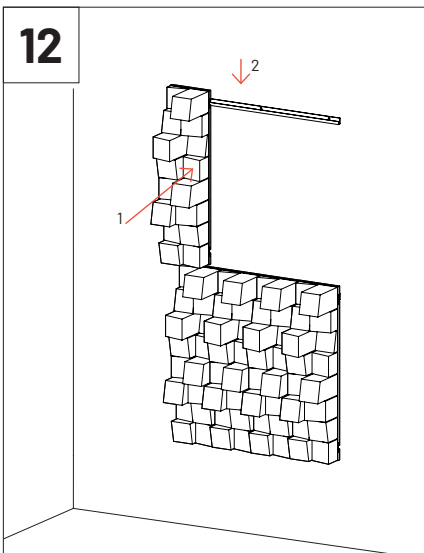
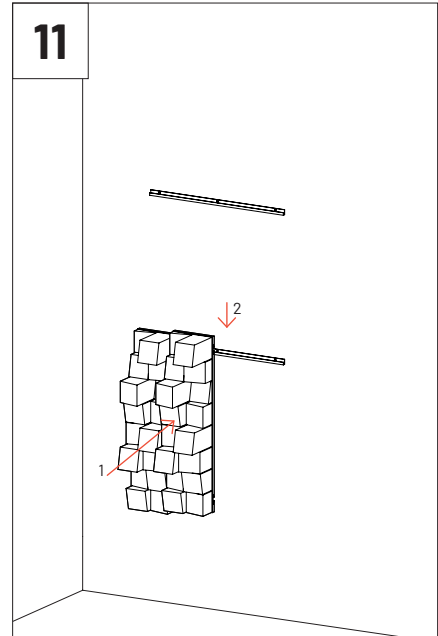
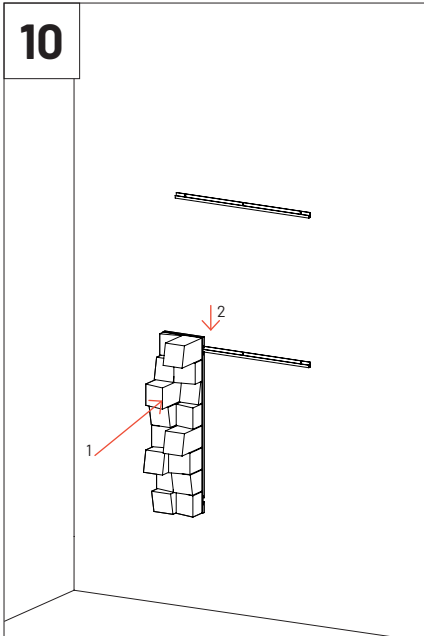
4



5







**Please note:** It is recommended to apply a blocking element such as an L profile or a small screw to avoid the end panels to slide off the VicFix J profile.





### **Main Office, R&D & Logistics**

Avenida do Pólo 3, N.º 159, Carvalhosa  
4590-137 Paços de Ferreira, Portugal

### **Office**

Rua Quinta do Bom Retiro N.º 16, Armazém 9  
2820-690 Charneca da Caparica, Portugal  
T (+351) 212 964 100

### **Info and Sales**

E [sales@vicoustic.com](mailto:sales@vicoustic.com)

[www.vicoustic.com](http://www.vicoustic.com)

**V//COUSTIC**  
INNOVATIVE ACOUSTIC SOLUTIONS

© Vicoustic, 2021 | V3

No parts of this document might be copied and/or published without written consent of Vicoustic.