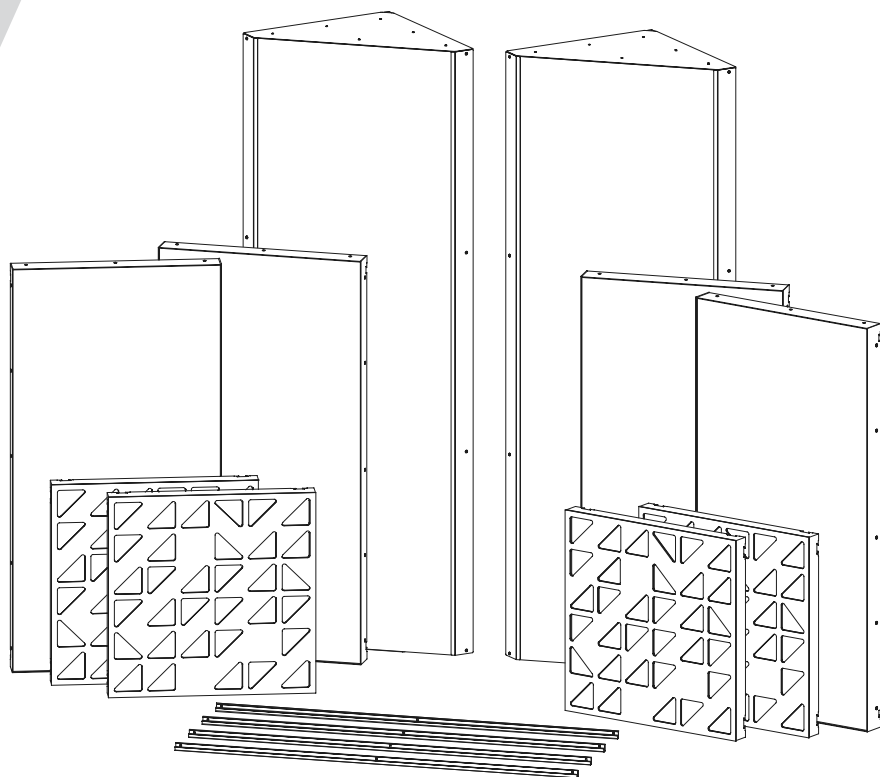
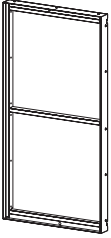


VicCinema VMT Kit

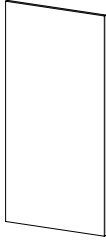


✓ MATERIAL NEEDED

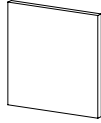
Included



VicSpacer



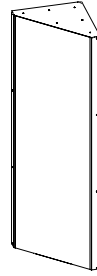
Flat Panel VMT



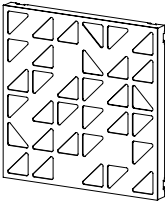
VicPET Wool filling



Flexi Glue Ultra



Bass Trap (included in the Mega Bass Trap Kit)



VicPattern Ultra x4



Gauge x1



H

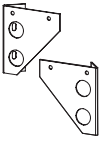


VicFix Mini



VicFix J Profile 1190mm

Not Included



VicFix Corner



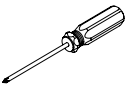
Measuring Tape



Wall Plugs and Screws



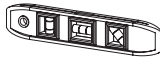
Caulking Gun



Screwdriver



Rubber Hammer



Level

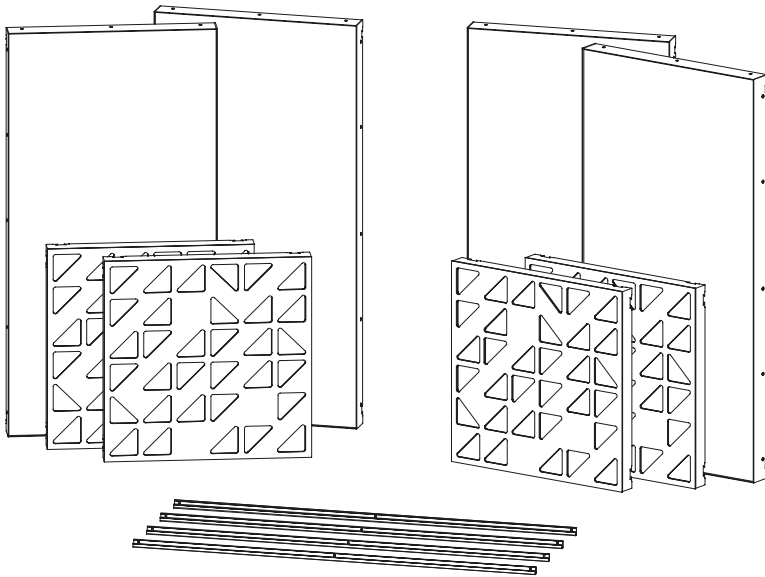


Hex key



Drill

Walls and Ceiling Kit Installation

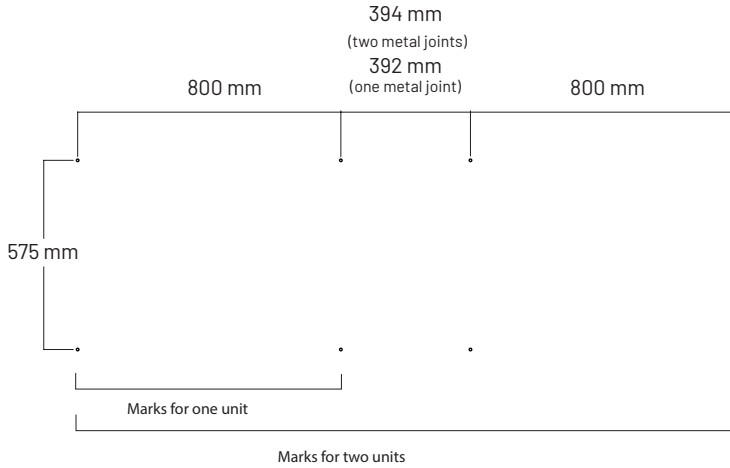


1

VicSpacer Wall Installation - Horizontal | Screw mounted panel *screws not included

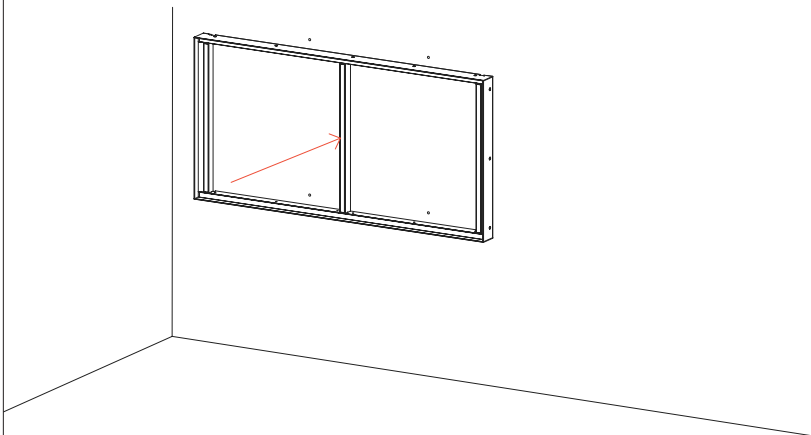
1.1

Mark the drill holes of the VicSpacers according to the diagram.

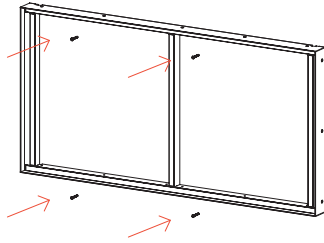


1.2

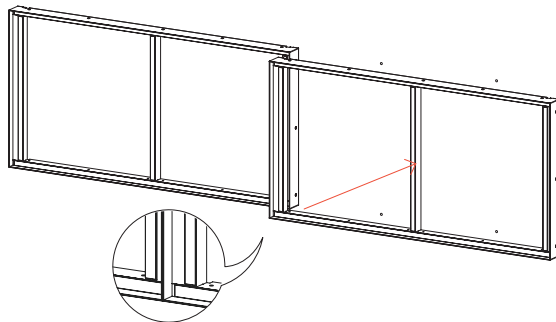
If necessary, open the holes in the marked places, and apply the wall plugs. Fix the VicSpacer, with screws suitable for the wall where you are making the installation.

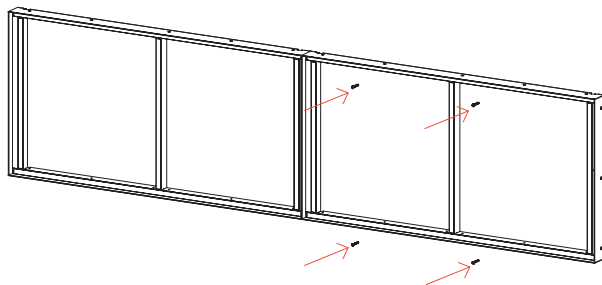


1.3

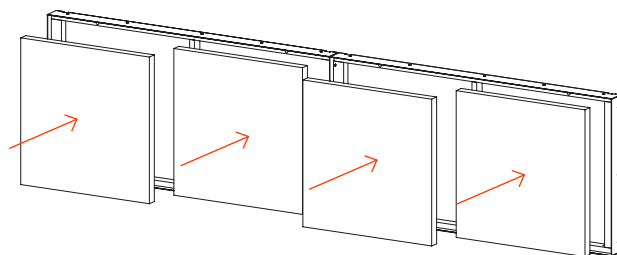


1.4



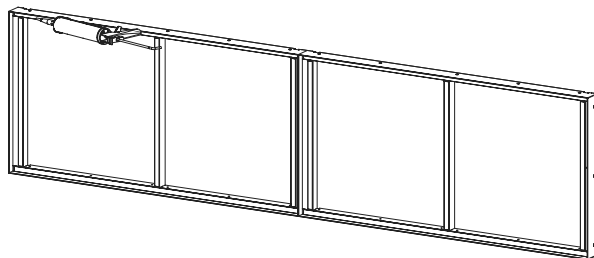
1.5**1.6**

Insert the VicPET Wool filling, according to the diagram.

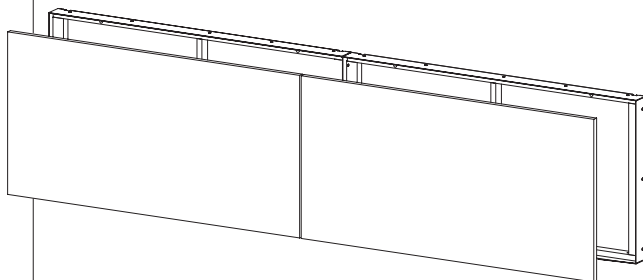


1.7

If you wish to fix the VMT Flat Panels, apply Flexi Glue Ultra to the wooden frame of the VicSpacers.

**1.8**

Insert the VMT Panels, according to the diagram.

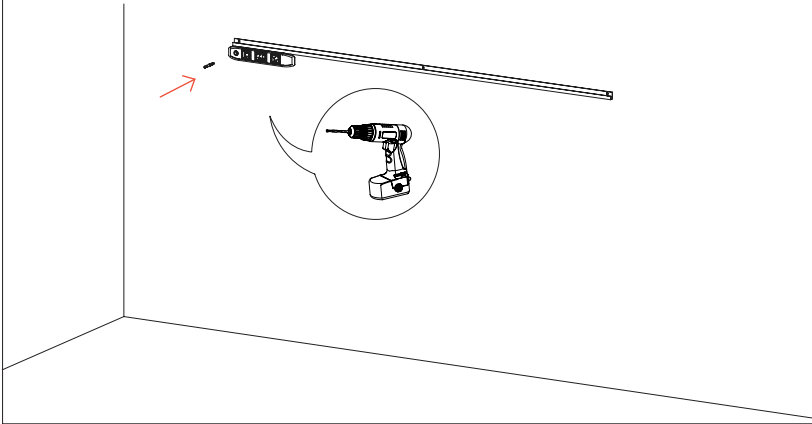


2

VicPattern Triangles Wall Installation *screws not included

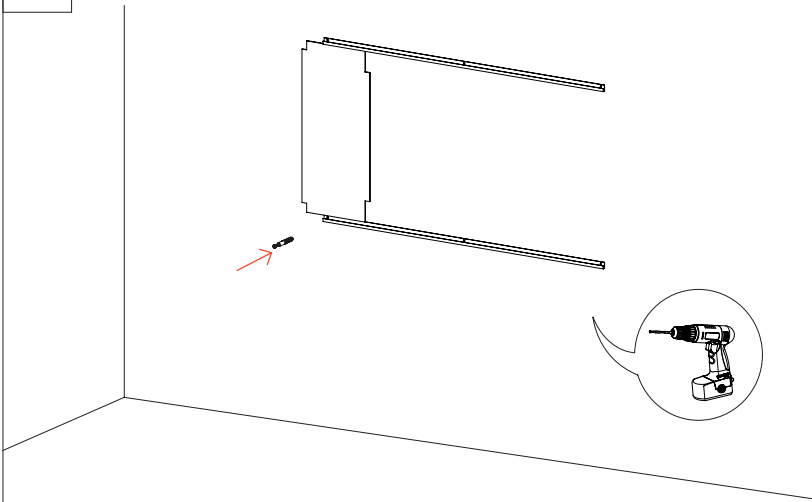
2.1

Once you have decided where you want to install the VicPatterns, install the J Profile for hanging the panels. You should choose the appropriate screws and wall plugs for the wall where you are going to install the panels.

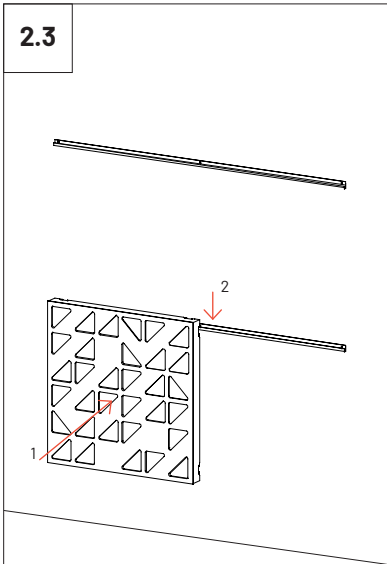


2.2

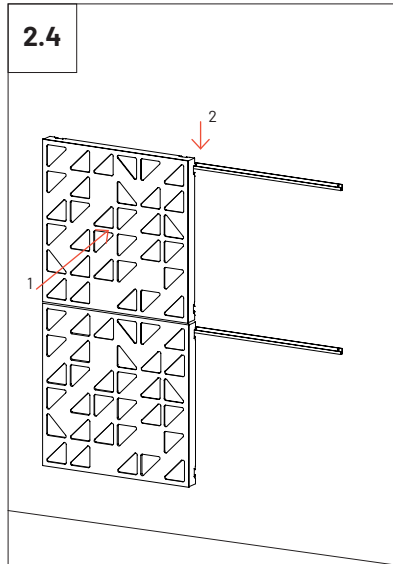
Use the gauge provided to mark the position of the second profile.



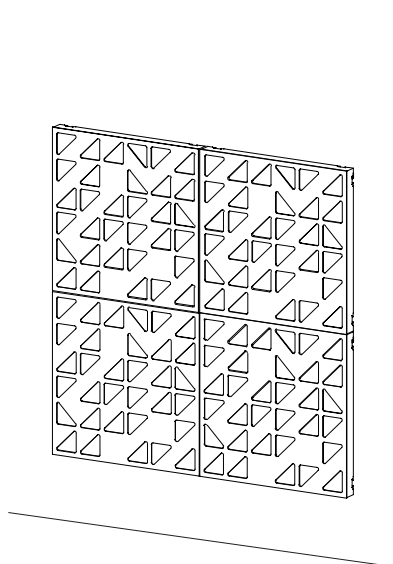
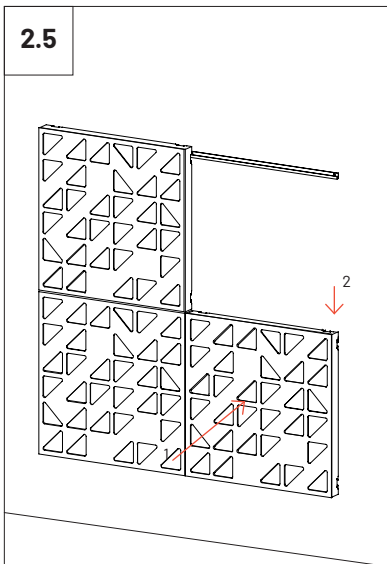
2.3



2.4

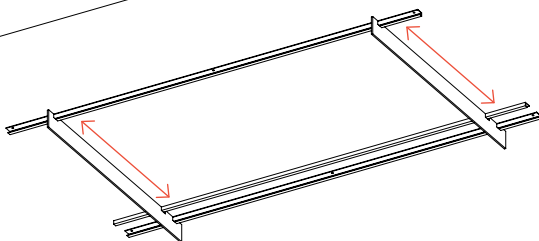


2.5

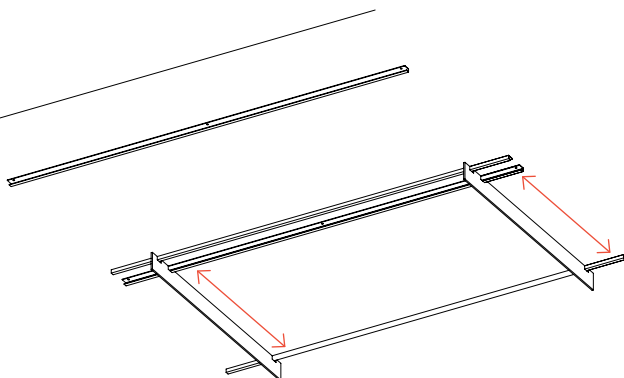


3**VicPattern Triangles Ceiling Installation** *screws not included**3.1**

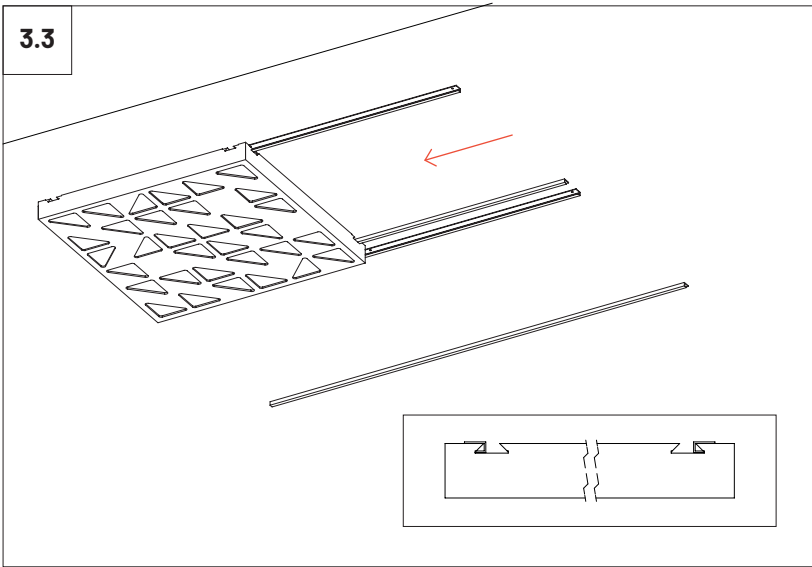
Once you have decided where you want to install the VicPatterns, install the J Profile for hanging the panels. You should choose the appropriate screws and wall plugs for the wall where you are going to install the panels.

**3.2**

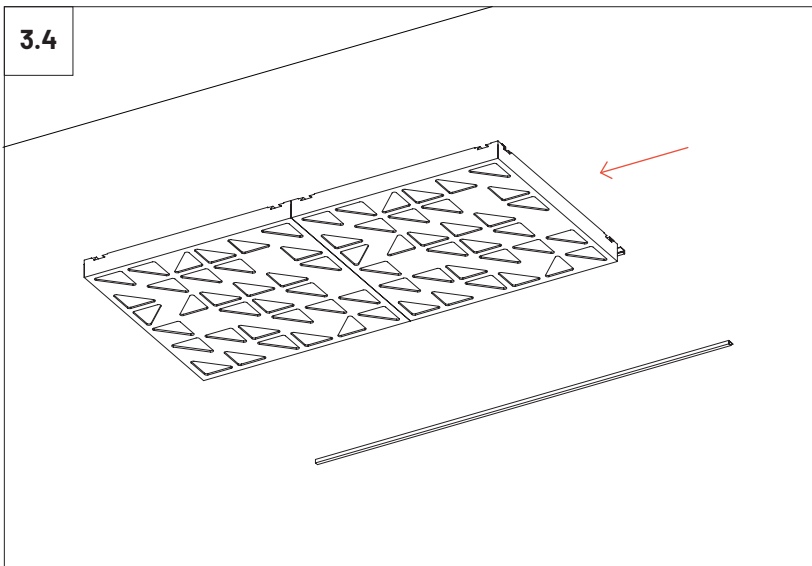
Please ensure that the screw heads should be as small as possible so that they do not interfere with the installation of the panels.



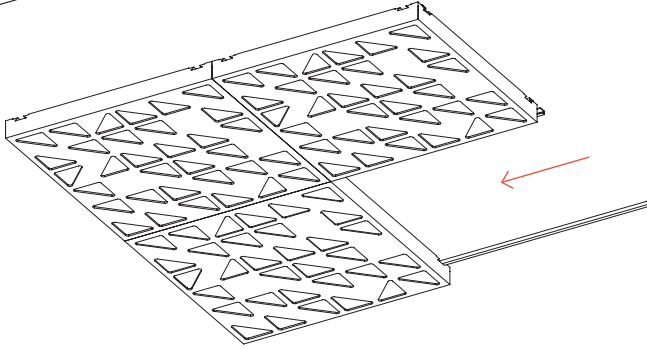
3.3



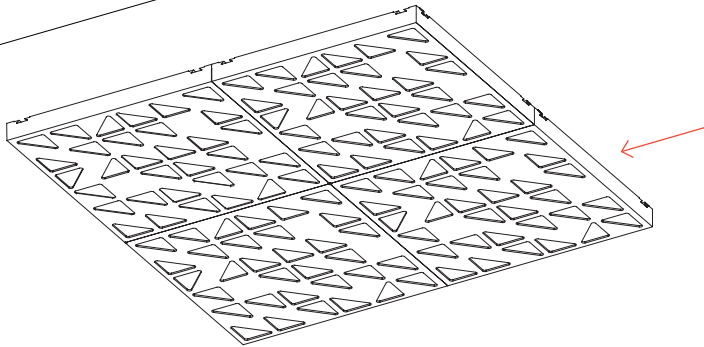
3.4



3.5

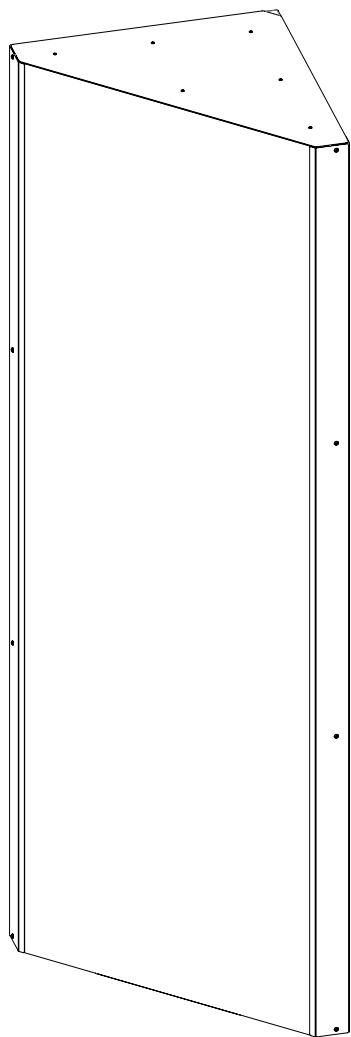


3.6



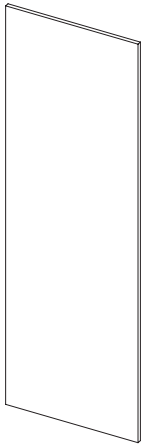
Please note: It should be applied a blocking element such as a L profile to avoid the last panels to slide off the VicFix J profile. Vicoustic will not take responsibility for any mistakes/ limitations occurring during installations or any damages resulting from falling panels.

Mega Bass Trap Kit Installation

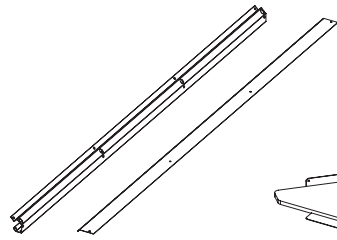


✓ MATERIAL NEEDED

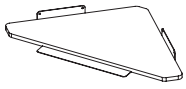
Included



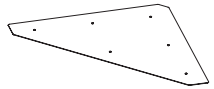
FlatPanel VMT x2



x4 x4



x2



x2



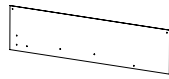
x8



x16 x16



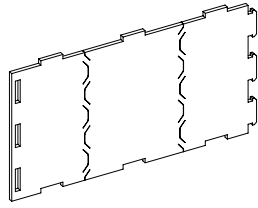
x2



Gouge x1

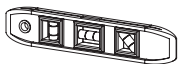


Wall Plugs and Screws



x6

Not Included



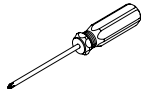
Level



Measuring Tape



Drill



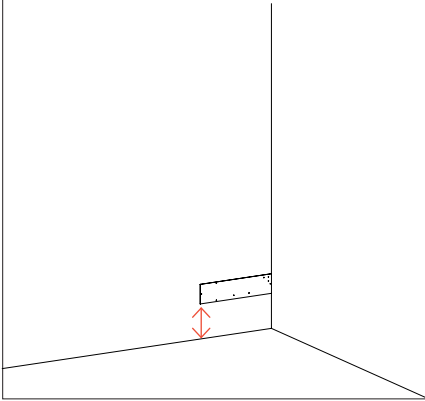
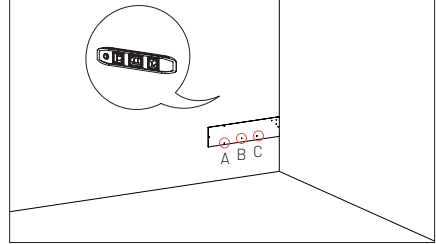
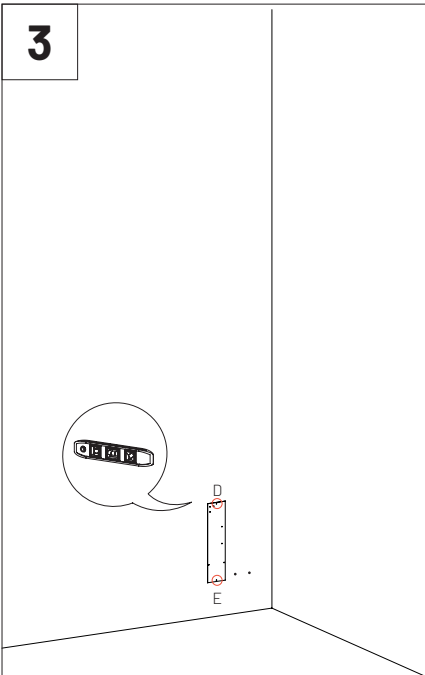
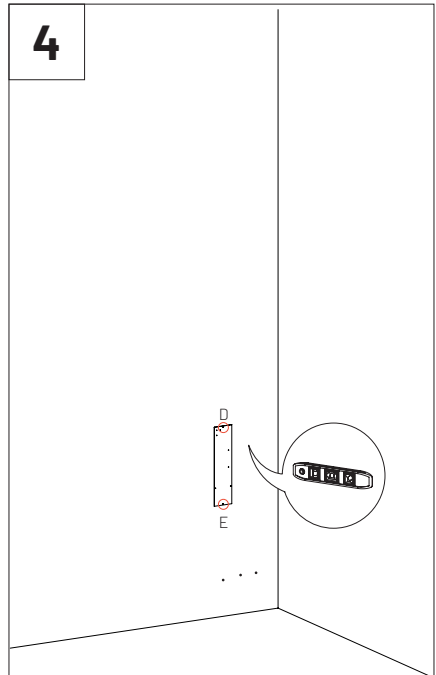
Screwdriver



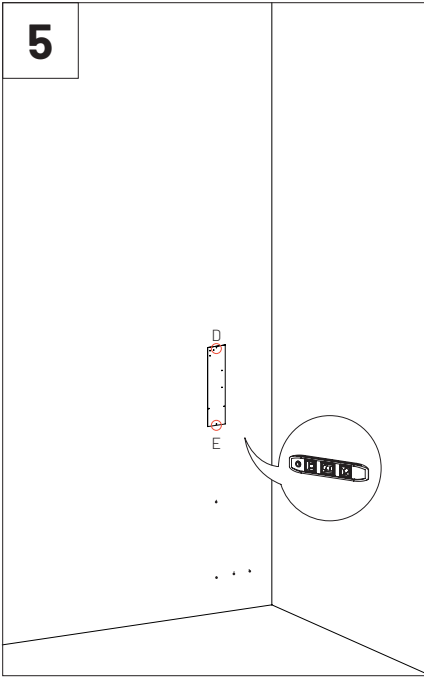
Pencil

1

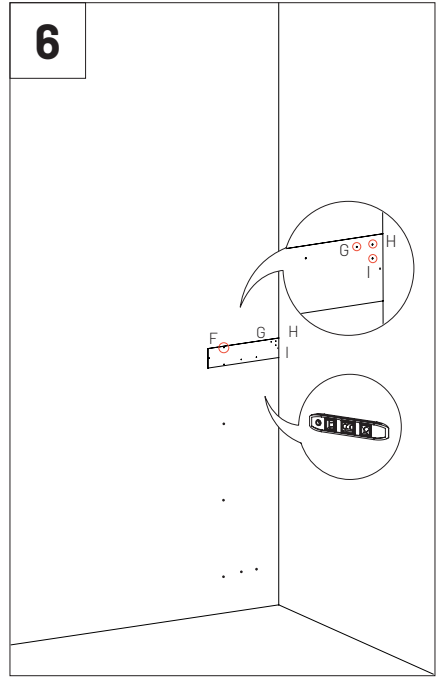
Once you have decided at which height you will install the Bass Trap, use the gauge provided to mark the holes for fixing it, according to the diagrams.

**2****3****4**

5

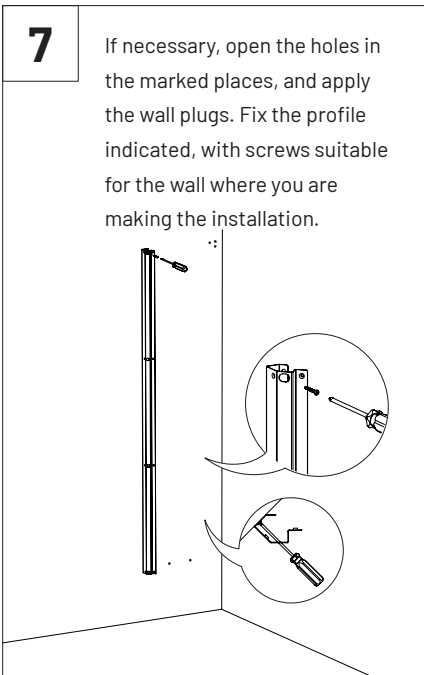


6



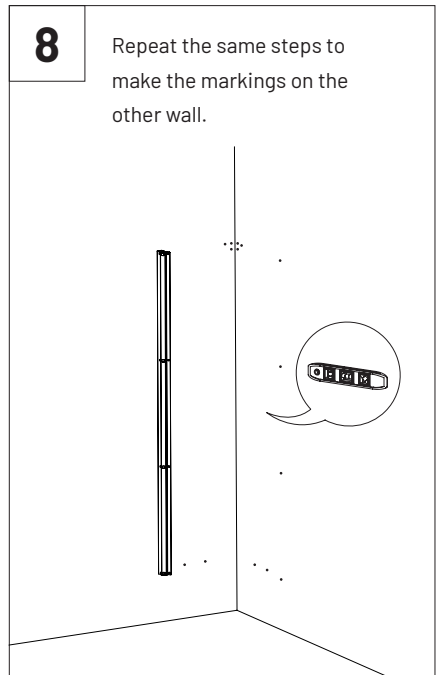
7

If necessary, open the holes in the marked places, and apply the wall plugs. Fix the profile indicated, with screws suitable for the wall where you are making the installation.



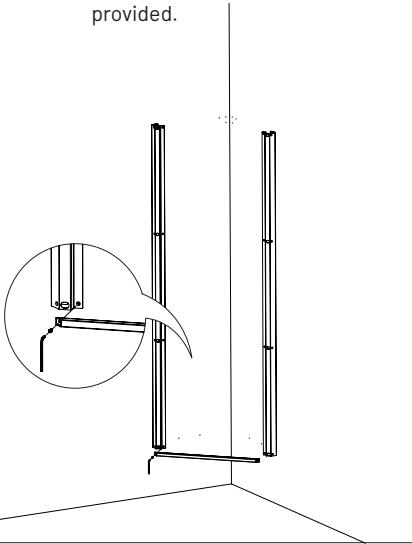
8

Repeat the same steps to make the markings on the other wall.

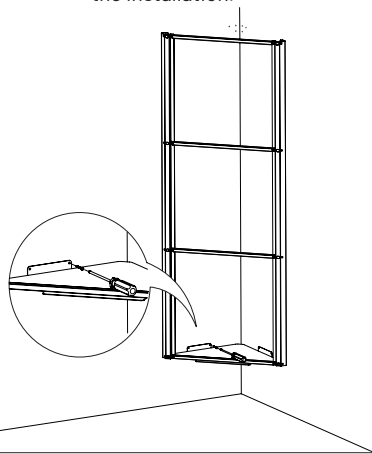


9

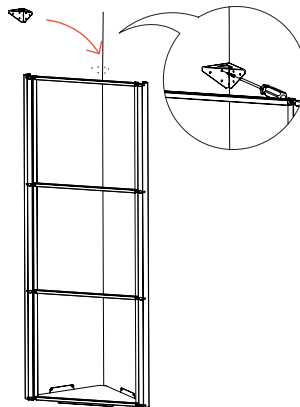
After installing the second profile, fix the protection bars with the metallic screws provided.

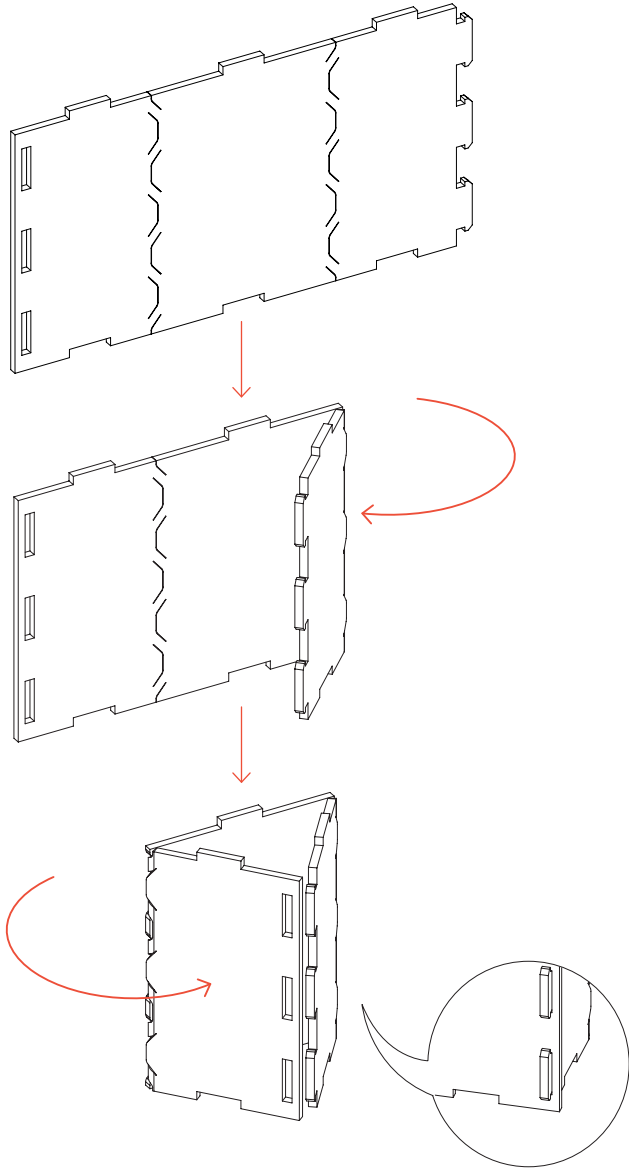
**10**

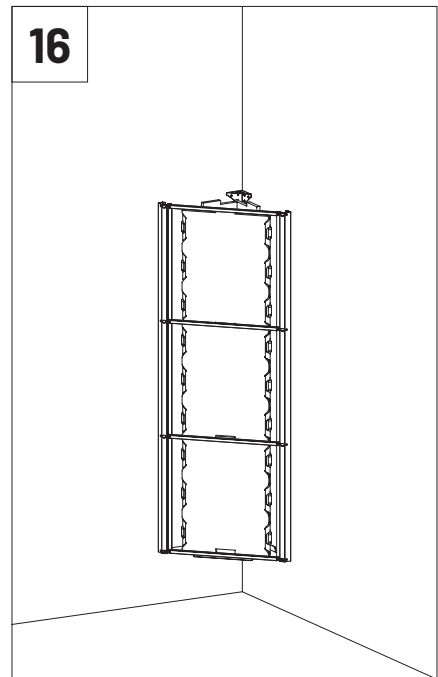
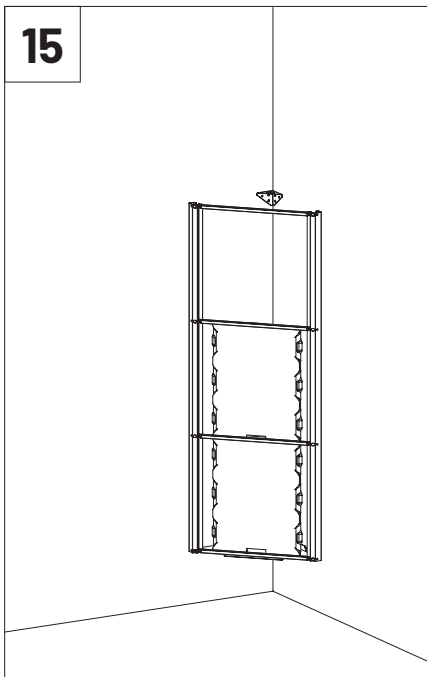
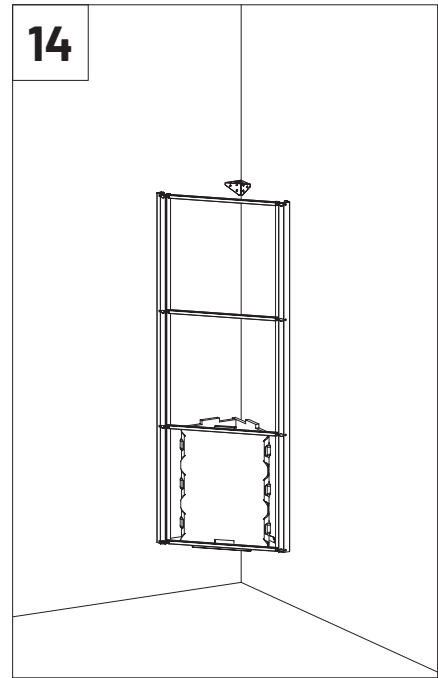
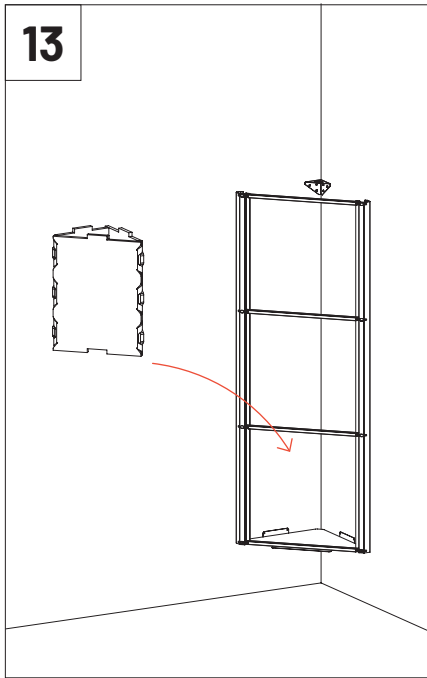
If necessary, open the holes in the marked places, and apply the wall plugs. Fix the Bass Trap base, with screws suitable for the wall where you are making the installation.

**11**

Fix the cover bracket, with screws suitable for the wall where you are making the installation.

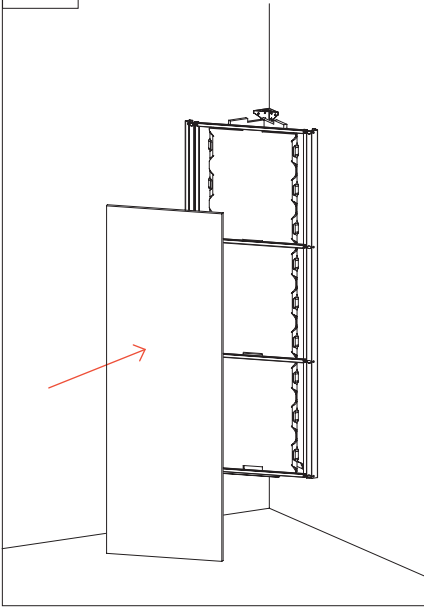
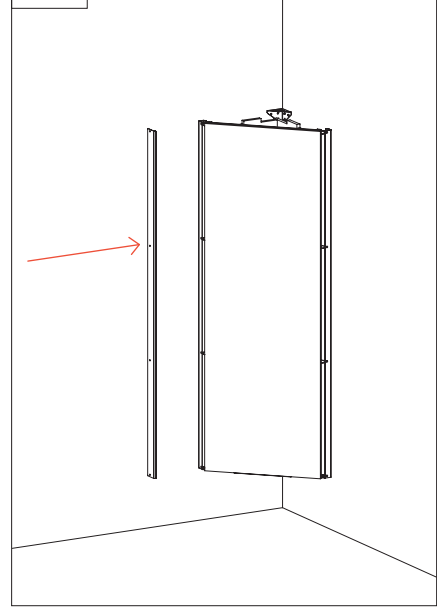




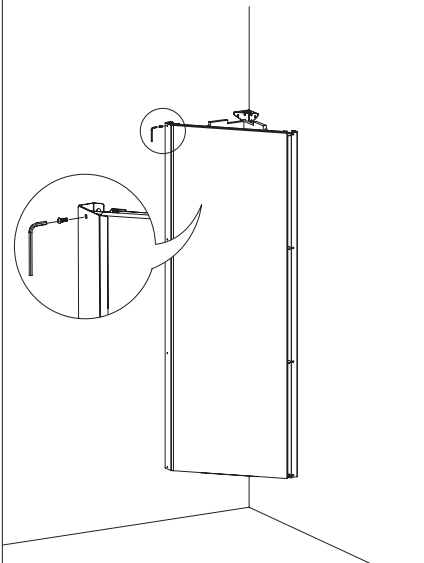


17

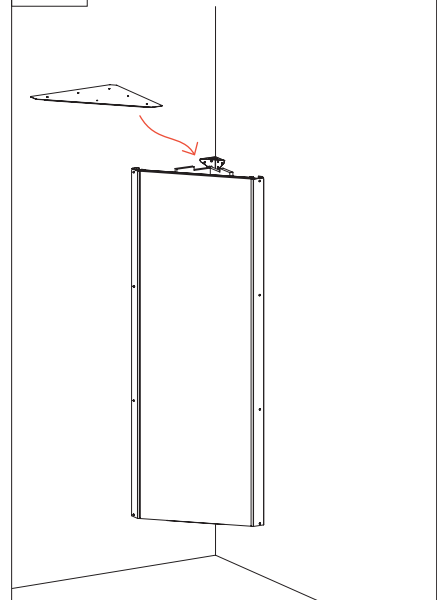
Install the VMT Panel.

**18****19**

Fix the finishing profile with the paintend screws supplied.

**20**

Install the Bass Trap cover.



Main Office, R&D & Logistics

Avenida do Pólo 3, N.º 159, Carvalhosa
4590-137 Paços de Ferreira, Portugal

Office

Rua Quinta do Bom Retiro N.º 16, Armazém 9
2820-690 Charneca da Caparica, Portugal
T (+351) 212 964 100

Info and Sales

E sales@vicoustic.com

www.vicoustic.com



© Vicoustic, 2022 | V4

No parts of this document might be copied and/or published without written consent of Vicoustic.