

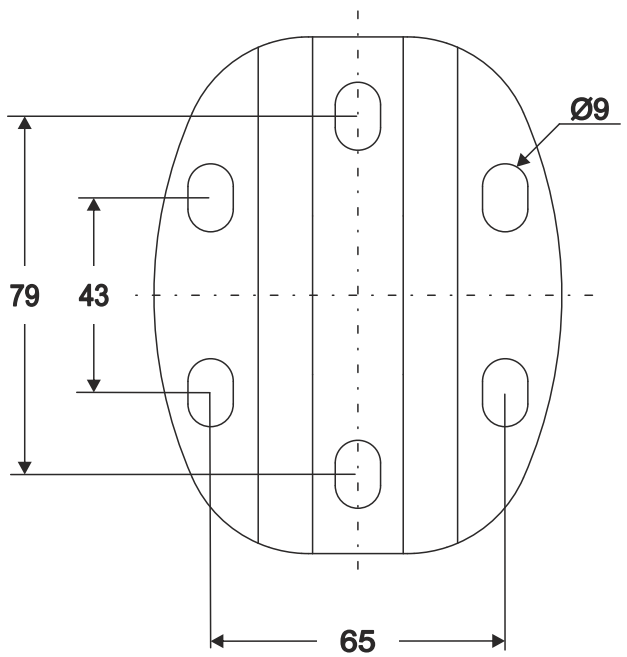
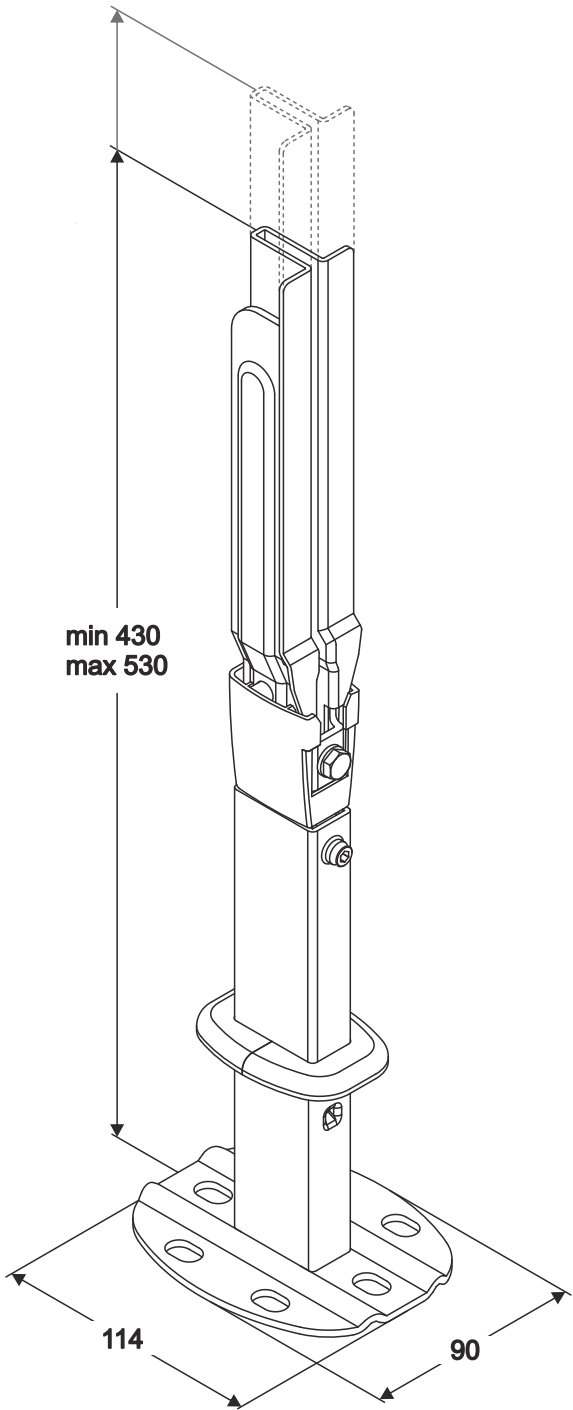
# PK1



B 15 01 68251 002

VA\_MES 15 06 059

PATENTED



<p>Type 11</p> <p>Type 21</p> <p>Type 22</p> <p>Type 33</p>	<p><math>F_1 = 2000N</math>  <math>F_2 = 700N</math>  <math>F_3 = 400N</math></p>		
---	---	--	--