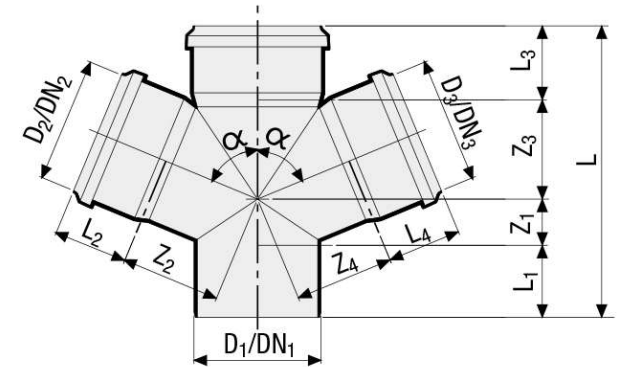
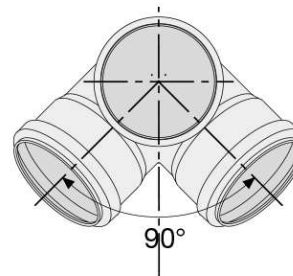
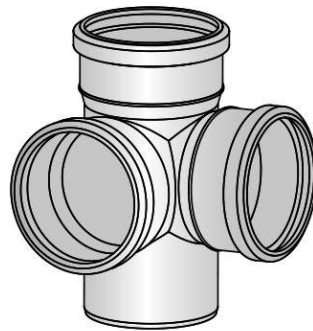




HTED Valsir

хрестовина двоплощинна 67°



KOD	$D_{1/2/3}$	$DN_{1/2/3}$	α	Z_1	Z_2	Z_3	Z_4	L	L_1	L_2	L_3	L_4	kg				HxLxP	CL
VS0512001 *	110/110/110	100/100/100	67°30'	40	86	86	86	248	62	60	60	60	0,431	5	20	60	1039x800x1200	PP02
VS0512003 *	110/50/110	100/50/100	67°30'	40	86	86	84	260	68	65	65	51	0,359	5	20	60	970x800x1200	PP02
VS0512005 *	110/110/50	100/100/50	67°30'	40	84	86	86	260	68	51	65	65	0,360	5	20	60	970x800x1200	PP02
VS0512007 *	110/50/50	100/50/50	67°30'	8	78	54	78	195	67	51	65	51	0,240	10	40	120	853x800x1200	PP02
VS0512033	110/50/110	100/50/100	87°30'	59	52,5	63,5	63,5	252	70	49,5	59,5	59,5	0,351	10	40	80	940x800x1200	PP02