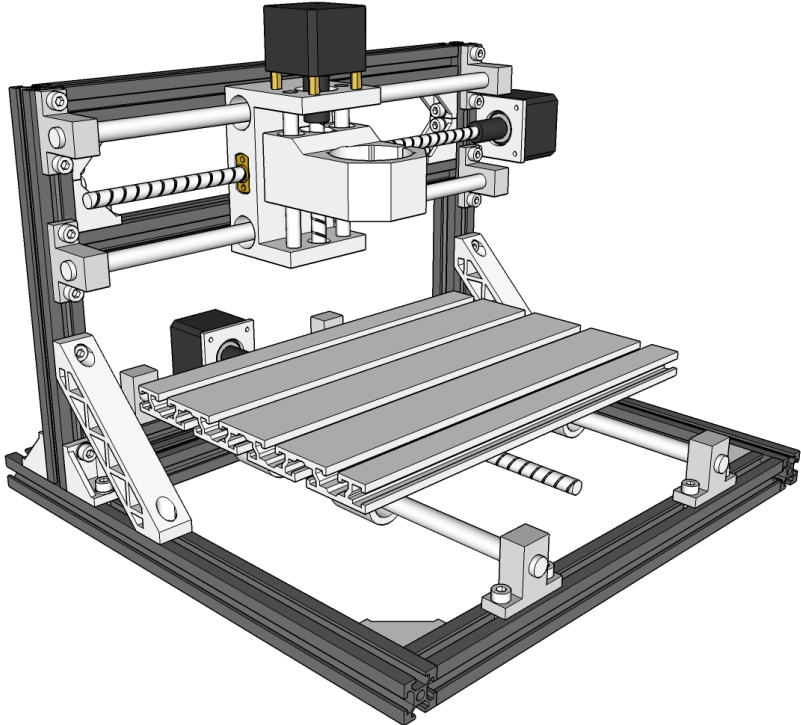
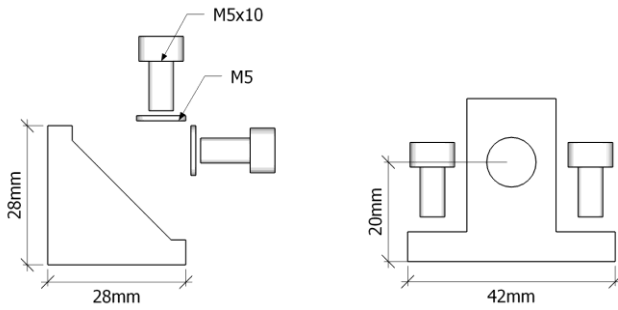
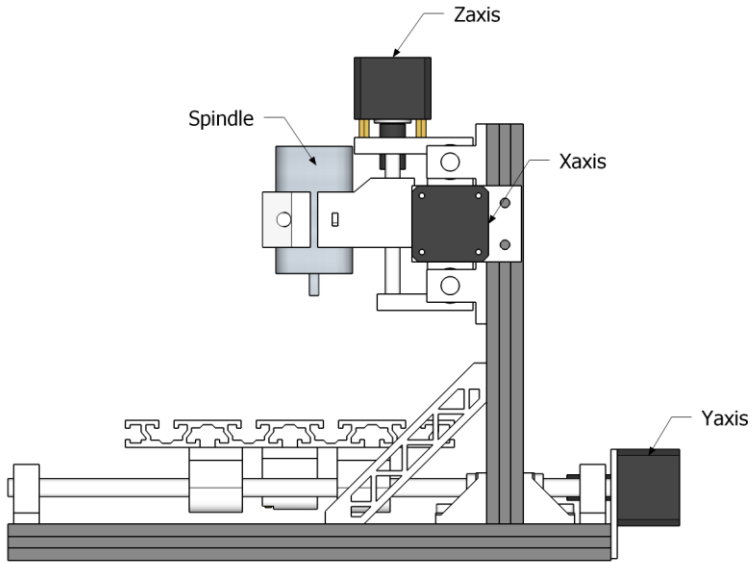


# WOODPECKER CNC

## Assembly instructions

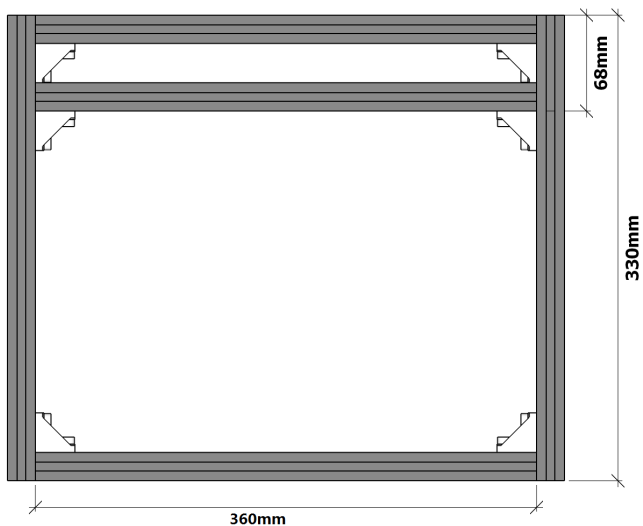


◆ • Component size:

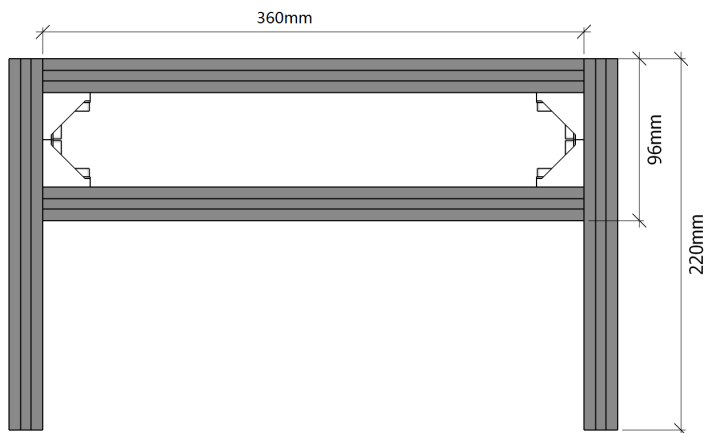


## 1. Frame installation

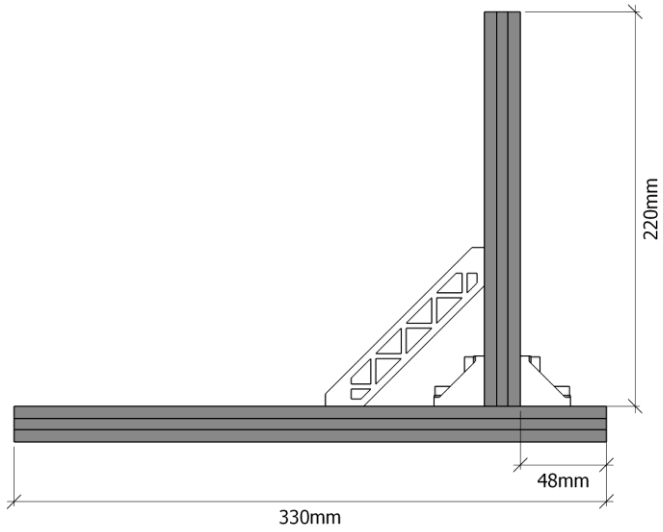
- base: 330mm×2、300mm×3、Corner pieces×6、M5\*10×12、Spacer×12



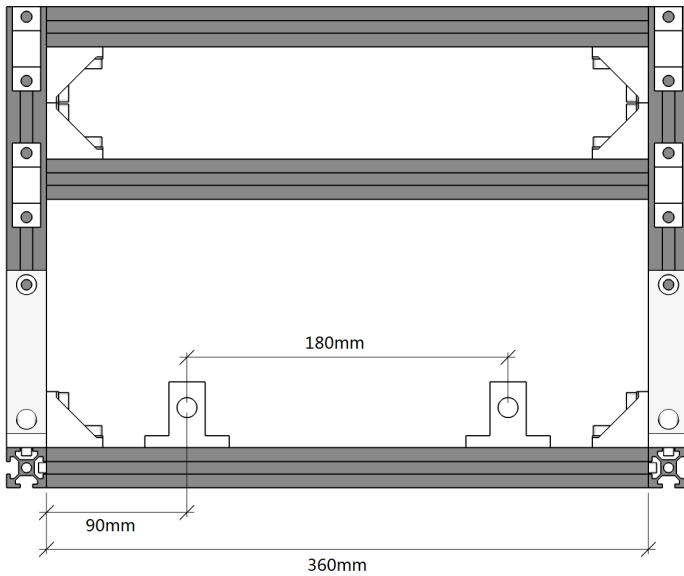
- Top frame: 220mm×2、300mm×2、Corner pieces×4、M5\*10×8、Spacer×8



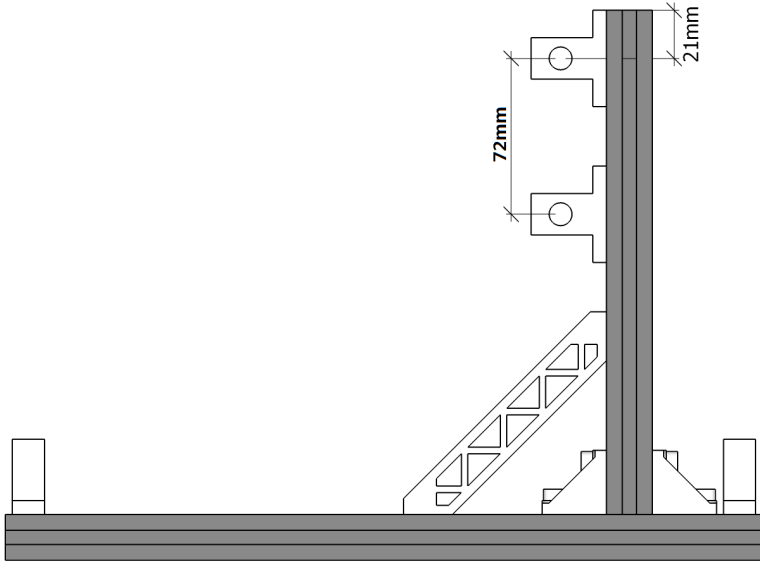
- Frame installation: Corner pieces  $\times 6$ , M5\*10 $\times 16$ , Spacer  $\times 12$ , Connector  $\times 2$



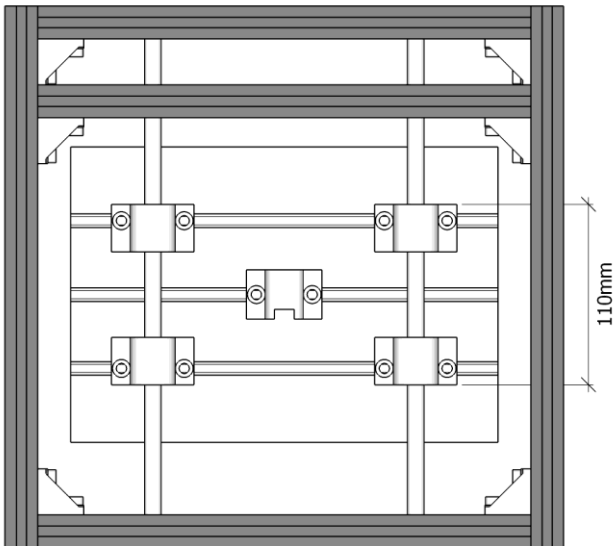
- axis support base dimensions 1:



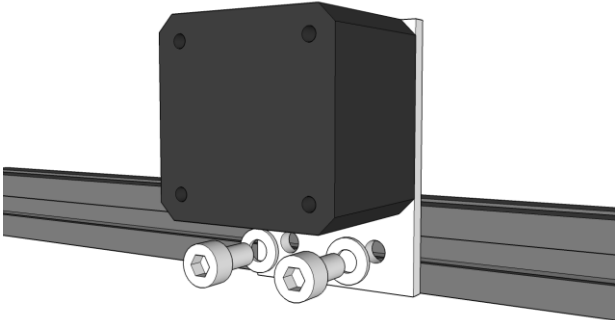
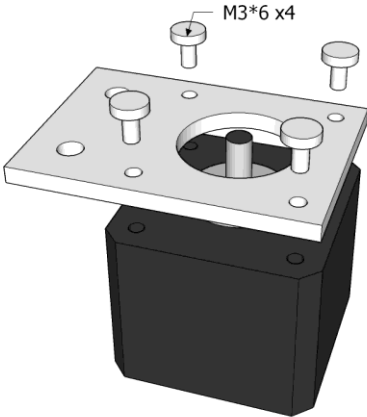
- axis support base dimensions 2:



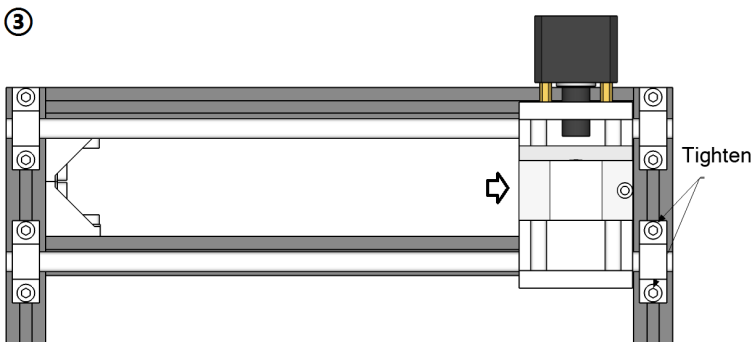
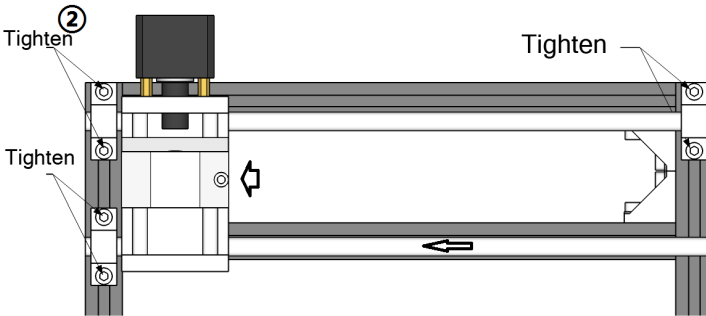
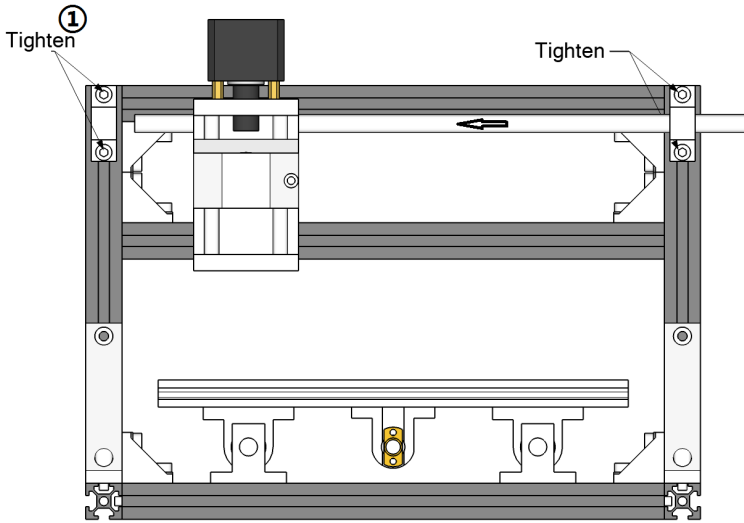
- Y-axis installation: M6\*10×10、Slider×5、Mesa×1



- stepper motor mounting

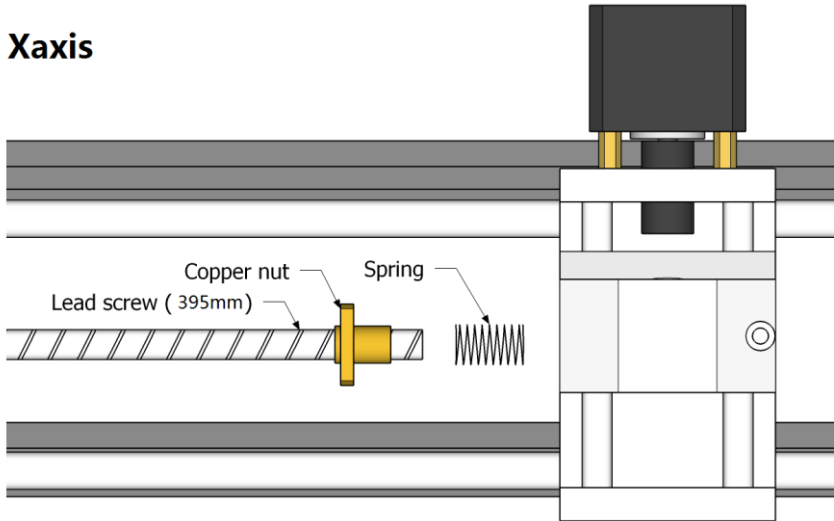


● XZ component installation

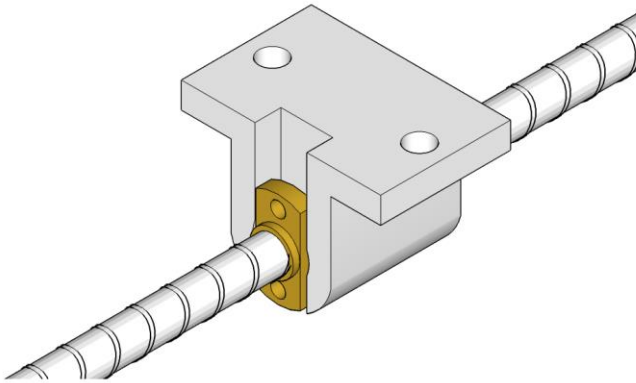
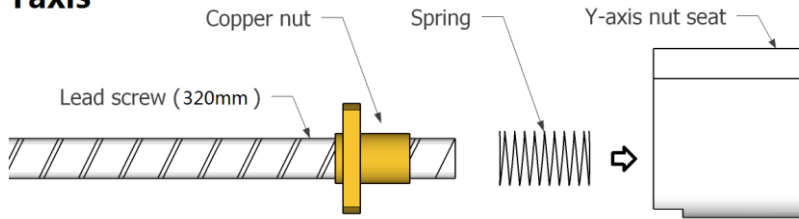


- screw assembly schematic

## Xaxis

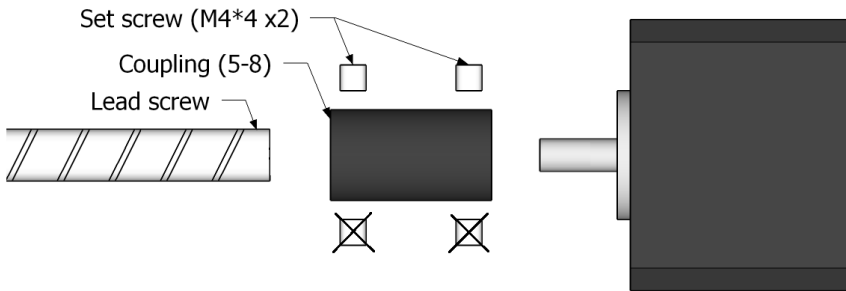


## Yaxis

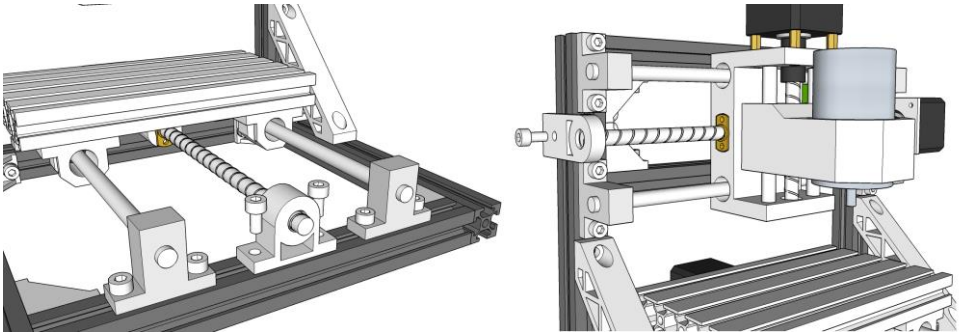




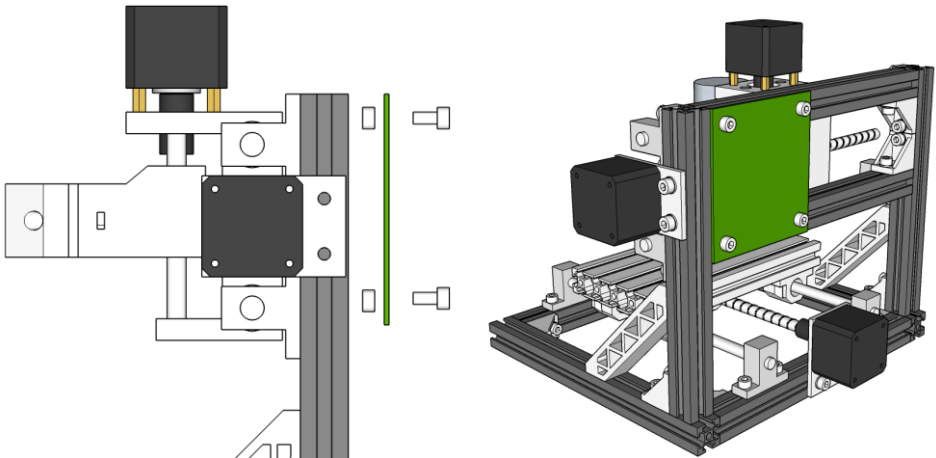
- Coupling assembly:



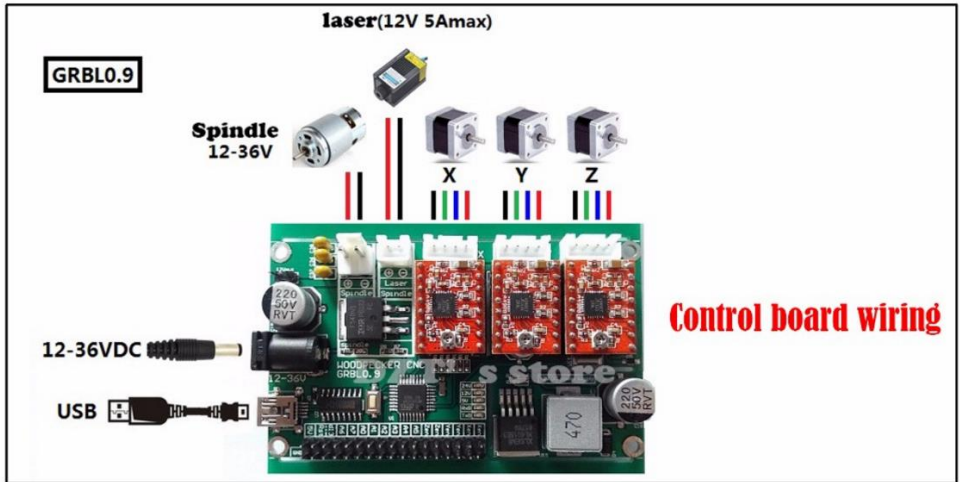
- Bearing installation:



- Install control board



Wiring diagram:



If you have any problems , please contact with us .  
Our email address :