




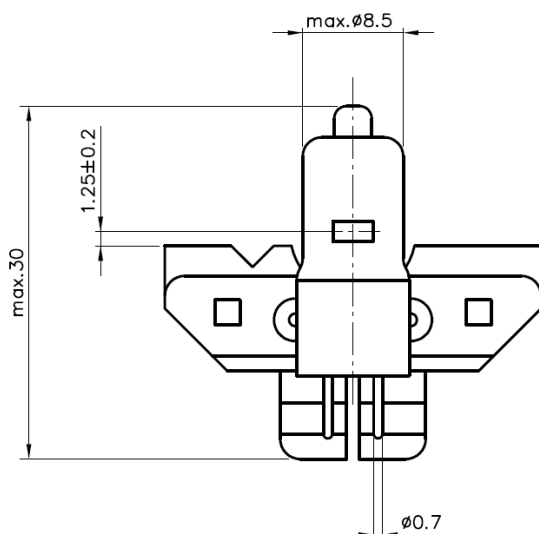
Medical

| | |
|---|---|
|  | Type SH5125 6V 10W PY16-1,25 |
| | Ordering - No. 55125 |
| Product Description | Halogen Lamp with Prefocus Base |
| Features | Quartz Bulb, Exactly positioned Filament |
| Applications | Medical, Microscope, Analysis |

Technical Details

| | |
|--------------------------|---|
| Category | HLWS5 |
| Rated Voltage (V) | 6 |
| Wattage (W) | max. 11,0 |
| Luminous Flux (lm) | 150 ± 12% |
| Average Lifetime (h) | 100 |
| Base | PY16-1,25 |
| Overall Length (mm) | max. 30 |
| Bulb Diameter (mm) | max. 8,5 |
| Light Center Length (mm) | 1,25 ± 0,2 |
| Operating Position | s90 |
| Packaging Configuration | 300 pcs. |
| Environmental Remark | Product don't contain lead or mercury and is conform with Directive 2002/95/EC "Restriction of the use of certain hazardous substances in electrical and electronic equipment". |

Drawing (in mm)



| | |
|-------------|-------------------------|
| valid from | 05.03.2014—V2—PN14/0072 |
| replace for | 28.01.2013—V1 |
| file | 55125.100.pdf |