




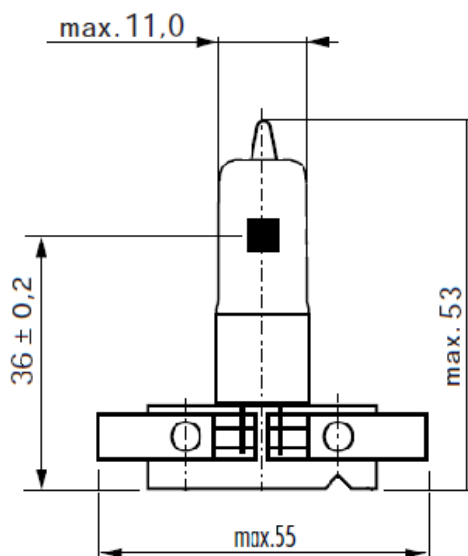
Medical

	Type SH5204 12V 50W PY24-1,5
	Ordering - No. 55204
Product Description	Halogen Lamp with Prefocus Base
Features	Quartz Bulb, Exactly positioned Filament
Applications	Medical, Microscope, Analysis

Technical Details

Category	HLWS5
Rated Voltage (V)	12
Wattage (W)	max. 55,0
Luminous Flux (lm)	1400 ± 12%
Average Lifetime (h)	50
Base	PY24-1,5
Overall Length (mm)	max. 53,0
Bulb Diameter (mm)	max. 11,0
Light Center Length (mm)	36,0 ± 0,2
Operating Position	s90
Packaging Configuration	300 pcs.
Environmental Remark	Product don't contain lead or mercury and is conform with Directive 2002/95/EC "Restriction of the use of certain hazardous substances in electrical and electronic equipment".

Drawing (in mm)



valid from	05.03.2014—V2—PN14/0072
replace for	29.01.2013—V1
file	55204.100.pdf