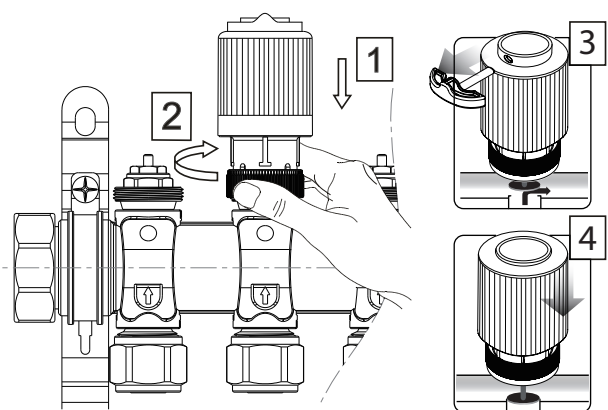
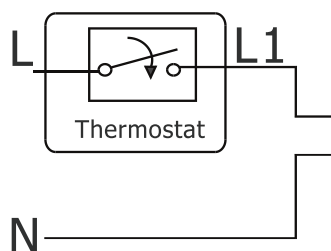
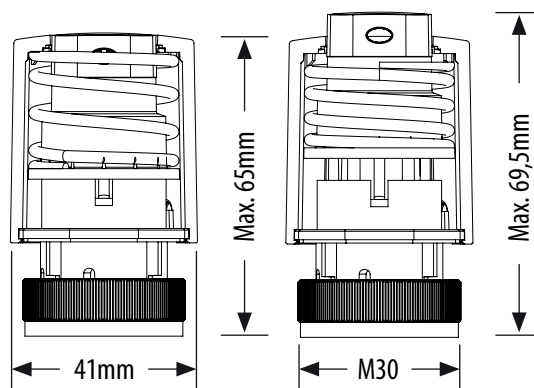


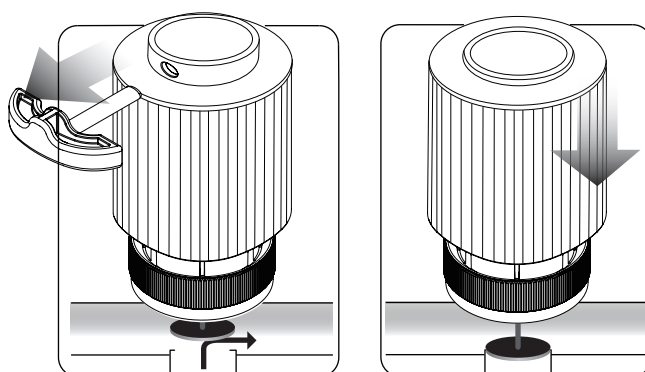
ASSEMBLY



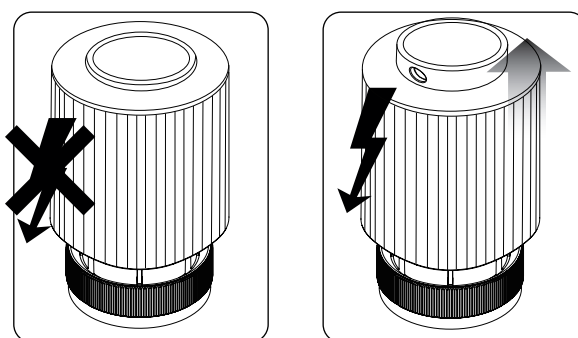
Adaptive stroke length - 4mm



NC - NORMALLY CLOSED "First Open" function



PRINCIPLE OF OPERATION



Version	NC = normally closed
Thread size	M30 x 1.5mm
Power supply	230V AC 50Hz
Power consumption	2W
Inrush current	300mA / 200ms
Pressing force	100N +/- 15%
Max. stroke	4.5mm
Storage temp.	-25°C / +60°C
Ambient temp.	Max. 60°C
IP protection class	IP 54/II
Power cord length [cm]	90cm
Dimensions [mm]	Ø 41 x 65

Producer:

ENGO CONTROLS S.C.
Górnośląska 3E
43-200 Pszczyna
Poland

Distributor of ENGO Controls brand:

QL CONTROLS sp. z o.o. sp. k.
Rolna 4
43-262 Kobielice
Poland