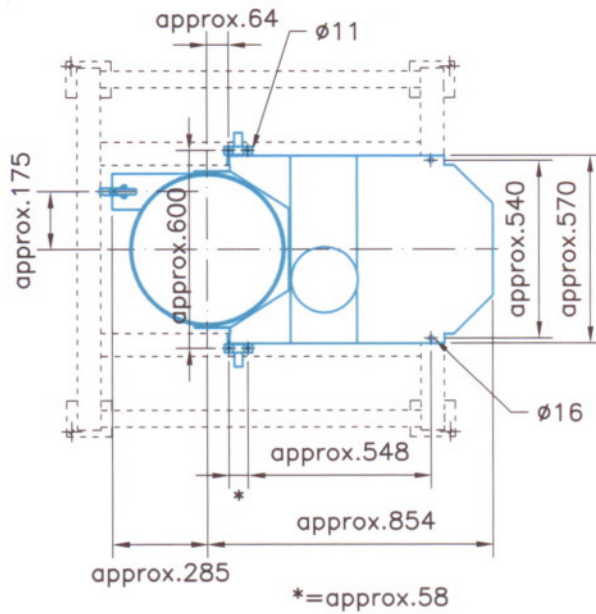
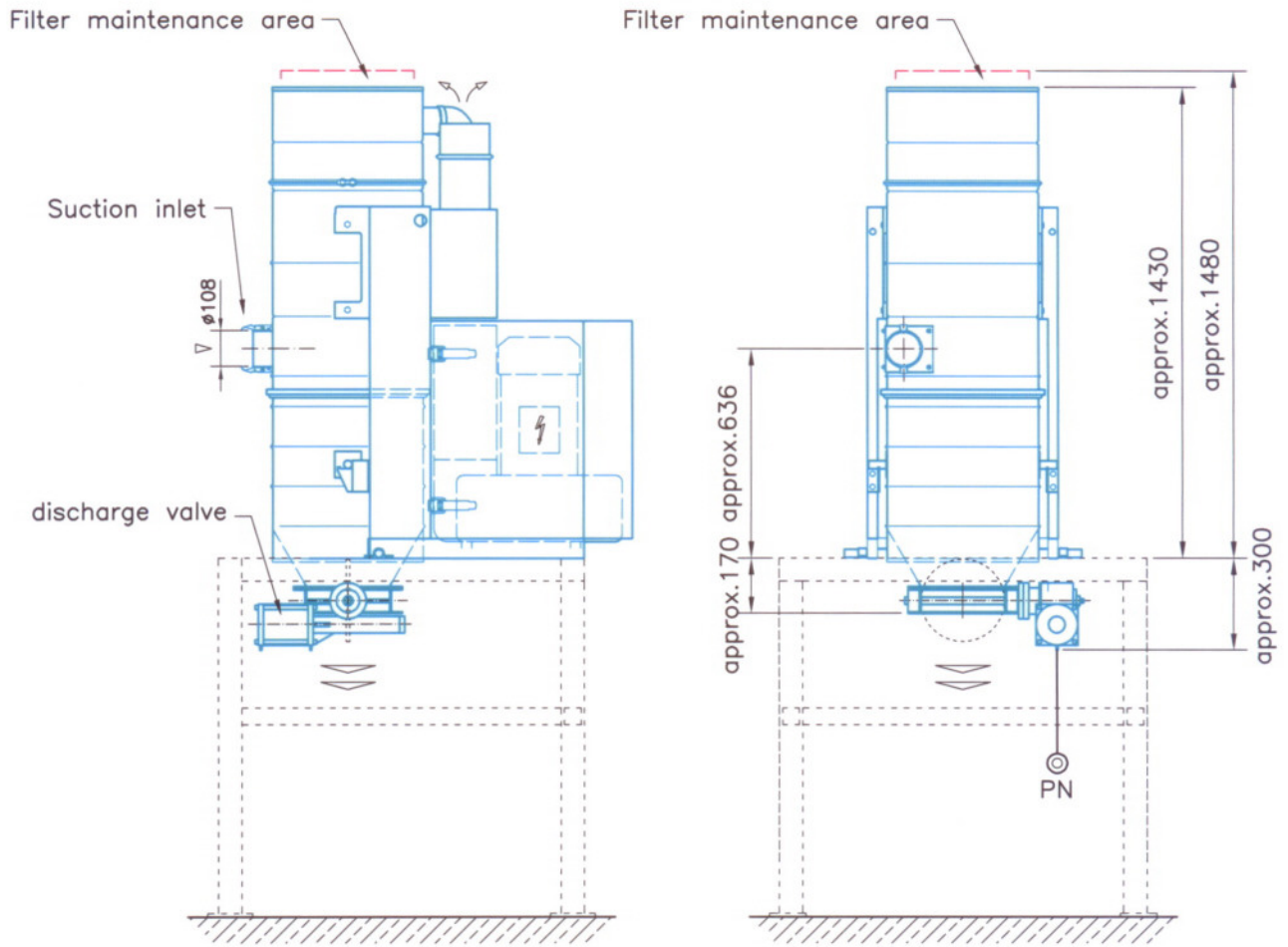


Stationary Vacuum System for Ceramic Industry

Dimensions sheet TowerVac 76



Electric control will be delivered separately respectively mounts on the support frame

PN ☉- Compressed air, 5-6 bar, dry and oilfree

Subject to alteration Dimensions in mm

wieland
pz/ss\200906.4-CAD X