

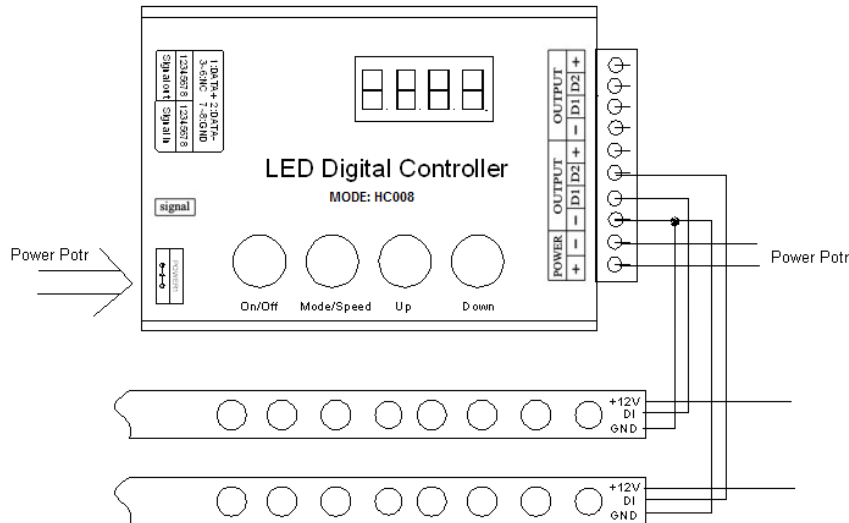
Operation Instructions of JM-HC008-2811 Controller

I. Specifications:

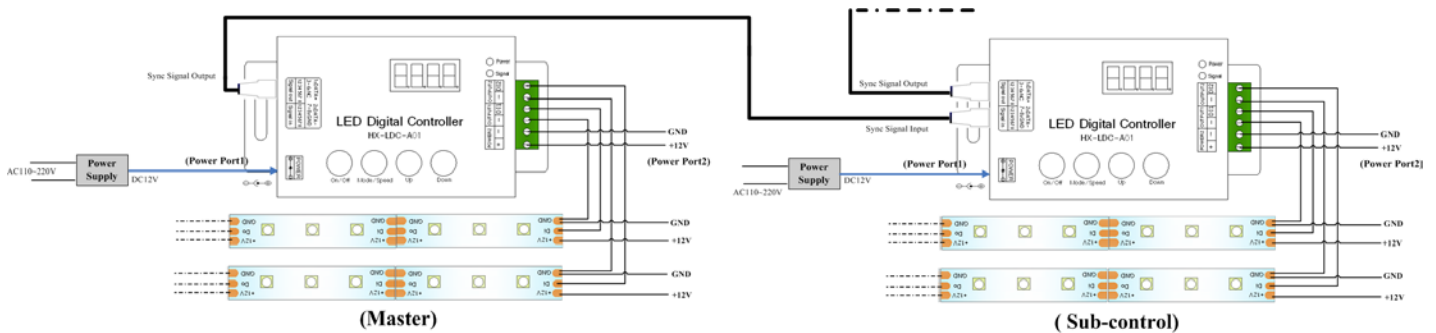
- Working temperature: -20- 60 °C
- Product size: L130×W70×H25mm
- Current: <60mA
- Maximum control points: 1024 (Low-speed) points, 2048 (High-speed) points
- The distance of the first point to controller: Low-speed mode<40m; High-speed mode<20m. (When more than 5 meters, you should use the shielded to connect.) If it is more than the distance, you must add a "TTL level to 485 level" module.
- Supply voltage: DC12V
- Weight: 280g
- Effects model: 133

II. Connecting diagram

1. Stand-alone work



2. Application synchronization (Each controller can be individually powered, can also share power)



III. Controller menu settings: (Defaulting boot when power is on, the controlled IC are 50 points and high-speed mode)

- (1). Connect the light bar well before taking power according to "wiring diagram". After power controller has been at work. It is a normal phenomenon that the light bars may be not bright. Because the following steps must be set by before the light bars are bright.
- (2). Please press the "On / off" button to take the controller off before setting the menu.
- (3). Press the "up", "down" button one time at the time, and LED would be bright at this moment. Then press the "Mode / Speed" button to get into the menu settings screen.
- (4). The first setting screen is for "High-speed, low-speed settings", and the LED would display "S-HI" or "S-LO". Then press the "up" and "down" button to select the mode. (If the IC on the light bar is high-speed mode, you should choose "S-HI", and choose "S-HI" when low-speed.) The factory default is for the high-speed mode.
- (5). Continue to press the "Mode / Speed" button to enter the second screen-"Control points setting". The LED display 4-digit is for the number of control points. To plus or minus the number by pressing the "up" and "down" button. (Long pressing can adjust quickly). The factory default is for 50.
- (6). After setting well, press the "On / off" button to save and exit.

IV. Function of button(Controller is in playing state):

- (1). ON/OFF: ON/OFF button, it can open or close output.
- (2). UP: Mode + / Speed +
- (3). DOWN: Mode - / Speed -

(4).Mode/Speed: Mode adjustment / speed adjustment function switch (The first LED displays H for model adjustment, shows S for the speed adjustment.)

Note: After powering, the red light would bright. And each press, the green light flash one time.

V. Synchronous controller system description

Synchronous control system can be made of any number of controller connections. Each of the sub-controller would follow to the first master controller to achieve a permanent synchronous change. And there is not delay.

After connecting the wiring diagram, the sub-controller need not be set. It will be in accordance with the master to controlling the speed and mode change. (That would be not synchronous when powering. You could close and open to be synchronous) When master is working, and the sub-control working well, the green signal light of sub-control would flick. The digital LED display the mode in operation.

VI. The operating instructions of editable mode (133rd mode): (The symbol * indicates an unknown number)

This mode is a combination mode of editing, you can edit scenes from 2 to 20 (1 to 132 mode) into a circular pattern. Each pattern can be set individually for each change of speed. It can automatically identify the set of patterns and automatically loop the pattern.

(1). Press the "Mode / Speed" and "Up" button once at the same time to enter the edit menu. LED is lit and display "-01-". "-**-" screen indicates the scene number of current editor. At this point you can select the number you want to edit a scene by the "+", "-" keys.

(2). After selecting the scene you want to edit, press the "Mode / Speed" key and display "H****". That is the setting current scene mode. Then you can press "+", "-" key to choose the scene mode, and observe the current results through the light bar. While the LED displaying "H000", that is to say the scene is not set patterns.

(3). After choosing a mode, press "Mode / Speed" key once and display "S0***". It is the speed of the current scene mode. Then you can change the speed of the scene mode by the "+", "-" keys. And you can observe the effect of the current mode through the light bar.

(4). After choosing the speed, press the "Mode / Speed" key to return to the selection screen "-**-". At this point you can select the next need to edit the scene by the "+", "-" key. Or press the "On / Off" key to exit and save settings.

Note: When the setting scene is less than 20, it must start from the first number (Because the 133 rd model starts running from the scene "01"), and need to set the no setting scene mode for "H000". For example, setting up five scenes and combine into 133rd mode. Enter the editable menu, and edit "01"to"05"scene modes and their speed (Can not follow the order). After editing well, you should check whether the "06" scene mode is the "H000". If not, change it by "+"and"-" key.

VII. Program Description:

NO.	Function Description	NO.	Function Description
1	Static blue	2	Static green
3	Static red	4	Static cyan
5	Static yellow	6	Static purple
7	Static white	8	Three color jumpy change
9	Seven color jumpy change	10	Seven color stroboflash
11	Red horse race lamp to right direction	12	Purple horse race lamp to left direction
13	Blue horse race lamp to right direction	14	Cyan horse race lamp to left direction
15	Seven color cycling horse race lamp to right direction	16	Seven color cycling horse race lamp to left direction
17	Seven color horse race lamp back-for-ward direction	18	Seven color horse race lamp to left direction
19	Seven color jumping horse race lamp to right direction	20	Three color gradually change
21	Seven color gradually change	22	Red background scan lamp back-for-ward direction
23	Green background scan lamp back-for-ward direction	24	Blue background scan lamp back-for-ward direction
25	Yellow background scan lamp back-for-ward direction	26	Cyan background scan lamp back-for-ward direction
27	Purple background scan lamp back-for-ward direction	28	White background scan lamp back-for-ward direction
29	Seven color scan lamp back-for-ward direction	30	Red water move to right direction
31	Red water move to left direction	32	Green water move to right direction
33	Green water move to left direction	34	Blue water move to right direction
35	Blue water move to left direction	36	Yellow water move to right direction
37	Yellow water move to left direction	38	Cyan water move to right direction
39	Cyan water move to left direction	40	Purple water move to right direction
41	Purple water move to left direction	42	White water move to right direction
43	White water move to left direction	44	Seven color cycling water move to right direction
45	Seven color breathing lamp back-for-ward direction	46	Red trail to left single direction
47	Purple trail to left single direction	48	Blue trail to left single direction
49	Cyan trail to left single direction	50	White trail to left single direction

51	Green trail to left single direction	52	Yellow trail to left single direction
53	Seven color jumping trail to left single direction	54	Seven color queue trail to left single direction
55	Seven color alternation trail to left single direction	56	Red trail to right single direction
57	Purple trail to right single direction	58	Blue trail to right single direction
59	Cyan trail to right single direction	60	White trail to right single direction
61	Green trail to right single direction	62	Yellow trail to right single direction
63	Seven color jumping trail to right single direction	64	Seven color queue trail to right single direction
65	Seven color alternation trail to right single direction	66	Red water trail to right direction
67	Purple water trail to right direction	68	Blue water trail to right direction
69	Cyan water trail to right direction	70	White water trail to right direction
71	Green water trail to right direction	72	Yellow water trail to right direction
73	Seven color jumping water trail to right direction	74	Seven color queue water trail to right direction
75	Seven color alternation water trail to right direction	76	Red trail to left double direction
77	Purple trail to left double direction	78	Blue trail to left double direction
79	Cyan trail to left double direction	80	White trail to left double direction
81	Green trail to left double direction	82	Yellow trail to left double direction
83	Seven color jumping trail to left double direction	84	Seven color queue trail to left double direction
85	Seven color alternation trail to left double direction	86	Red trail to right double direction
87	Purple trail to right double direction	88	Blue trail to right double direction
89	Cyan trail to right double direction	90	White trail to right double direction
91	Green trail to right double direction	92	Yellow trail to right double direction
93	Seven color jumping trail to right double direction	94	Seven color queue trail to right double direction
95	Seven color alternation trail to right double direction	96	Full color wave to right direction
97	Seven color water move to left direction	98	Purple background trail to right double direction
99	Blue background trail to right double direction	100	White background trail to right double direction
101	Cyan background trail to right double direction	102	Green background trail to right double direction
103	Yellow background trail to right double direction	104	Seven color background trail to right double direction
105	Seven color spread from the middle to both sides	106	Seven color breathing from the middle to both sides
107	Seven color draw curtain	108	Seven color lower curtain
109	Seven color spread from both sides to the middle	110	Colorful switch
111	Seven color overlay to right direction	112	Seven color overlay to left direction
113	Seven color overlay to left and right direction	114	Seven color background overlay to double direction
115	Seven color overlay from middle to both sides	116	Seven color background overlay middle to both sides
117	Seven color overlay from both sides to middle	118	Seven color background overlay both sides to middle
119	Sub seven color move back-for-ward direction	120	Sub seven color jump and move back-for-ward
121	Sub seven color background move back-for-ward	122	Sub seven color background move single direction
123	Sub seven color overlay to left and right direction	124	Sub seven color background overlay to left and right
125	Sub seven color spread to single direction	126	Sub seven color spread back-for-ward
127	Sub seven color water move to left and right	128	Sub seven color spread from middle to both sides
129	Sub seven color stretch from middle to both sides	130	Sub seven color stretch to single direction
131	Sub seven color overlay to single direction	132	Auto play circularly
133	Custom combination mode		

Safety Information

- Supply voltage of this product is DC12V never connect to other high voltage.
- Never connect two wires directly in case of short circuit.
- Lead wire should be connected correctly according to colors that connecting diagram.
- Warranty of this product is one year, but exclude the artificial situation of damaged.