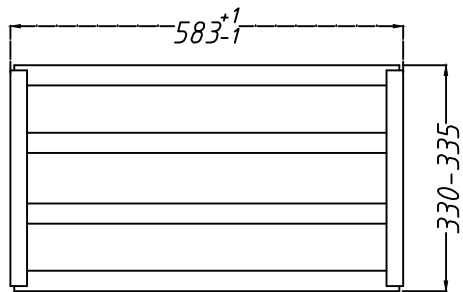
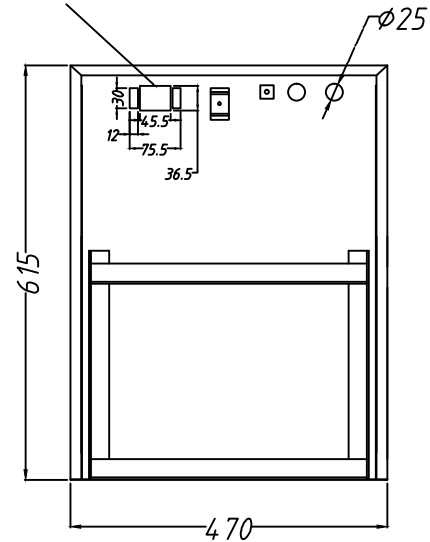


appearance diagram

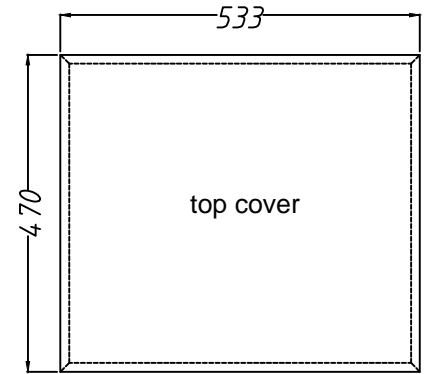


middle shelf

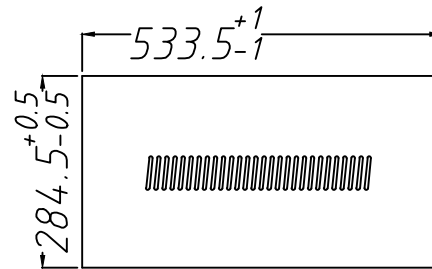
NDB2Z-63C32-2



Right and left panel



top cover



side panel