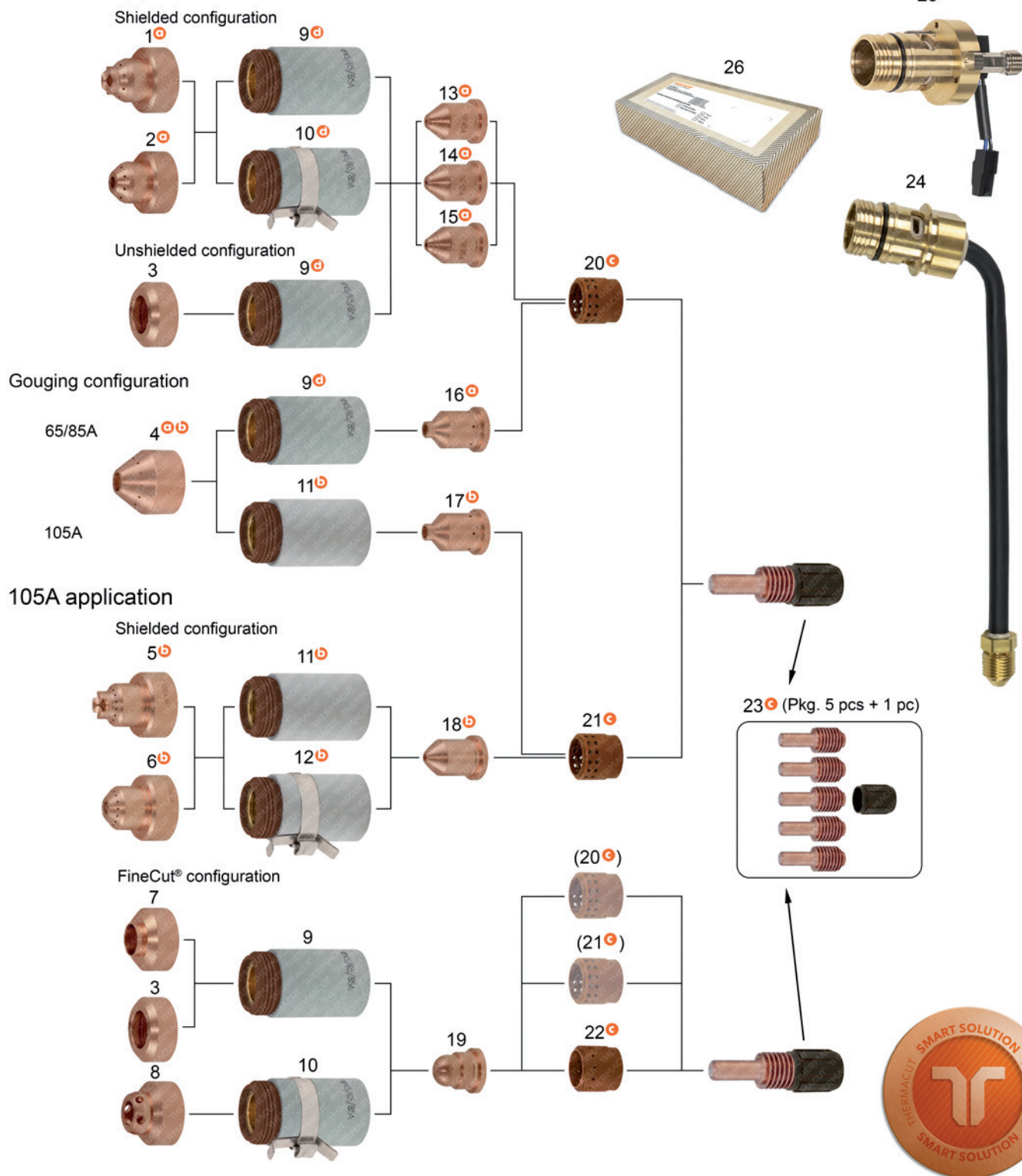


**THERMACUT® REPLACEMENT PARTS SUITABLE FOR
Hypertherm®**

**POWERMAX® 65 / POWERMAX® 85 / POWERMAX® 105
DURAMAX® HAND TORCH, DURAMAX® MACHINE TORCH**

45/65/85A application



Last update of this page: 22/01/2019. See Revision history for details.

THERMACUT®
THE CUTTING COMPANY

WWW.THERMACUT.CZ
TEL.: +420 556 423 418
SALES@THERMACUT.CZ

WWW.THERMACUT.DE
TEL.: +49 (0) 27 39 40 33 0
INFO@THERMACUT.DE

WWW.THERMACUT.COM
TEL.: 1-603-542-6715
CUSTOMERSERVICE@THERMACUT.COM

THERMACUT®, THE CUTTING COMPANY®, FHT-EX®, EX-TRAFIRE®, EX-TRACK® AND EX-TRABEAM® ARE REGISTERED TRADEMARKS OF THERMACUT, K.S. AND MAY BE REGISTERED IN CZECH REPUBLIC AND/OR OTHER COUNTRIES. ALL OTHER TRADEMARKS ARE PROPERTIES OF THEIR RESPECTIVE OWNERS. THERMACUT IS NO WAY AFFILIATED WITH Hypertherm®. MOST THERMACUT PARTS ARE MADE FOR OR BY AN IBG COMPANY. PARTS INDICATED WITH A OEM ARE ORIGINAL PARTS MANUFACTURED BY THE ABOVE NAMED MANUFACTURER AND ARE BEING RESOLD BY THERMACUT. THERMACUT RESERVES THE RIGHT TO SUBSTITUTE OEM PARTS IN PLACE OF THERMACUT PARTS.
VALID FROM SEPTEMBER 2019 • PREVIOUS VERSION IS NO LONGER VALID. • © COPYRIGHT 2019 BY THERMACUT® CZECH REPUBLIC. ALL RIGHTS RESERVED.

THERMACUT® REPLACEMENT PARTS SUITABLE FOR Hypertherm®

POWERMAX® 65 / POWERMAX® 85 / POWERMAX® 105 DURAMAX® HAND TORCH, DURAMAX® MACHINE TORCH

PRODUCT BROCHURE WITH DETAILS AT
WWW.THERMACUT.COM

Item	Part No.	Ref. No.	Description	Std. Pkg.	Item	Part No.	Ref. No.	Description	Std. Pkg.
ⓐ	1. T-11406	ⓐ 220818-UR	Shield 45/65/85A, Hand	1	19. T-11845	220930	Nozzle 45A, FineCut®	5	
ⓐ	2. T-11404	ⓐ 220817-UR	Shield 45/65/85A, Machine	1	ⓐ 20. T-11861	ⓐ 220857-UR	Swirl Ring 45-85A	1	
	3. T-11407	220955	Deflector 45/65/85/105A	1	ⓐ 21. T-11930	ⓐ 220994-UR	Swirl Ring 105A	1	
ⓐ	ⓑ 4. T-12022	220798-UR	Shield 65/85/105A, Gouging	1	ⓐ 22. T-12015	ⓐ 220947-UR	Swirl Ring 45A, FineCut®	1	
ⓑ	5. T-11841	ⓑ 220992-UR	Shield 105A, Hand	1	ⓐ 23. T-11883	ⓐ 220842x5	Electrode 45-105A (pkg. 5 pcs.)	1 x 5	
ⓑ	6. T-11842	ⓑ 220993-UR	Shield 105A, Machine	1		220842	Part is available in 5pcs. set 220842x5 only		
	7. T-12013	220931	Deflector 45A, FineCut®	1	24. T-12233	228958	DURAMAX® Torch Body Kit	1	
	8. T-12014	220948	Shield 45A, Ohmic, FineCut®	1	25. T-12256	228716	Torch Body DMX65M/85M/105M	1	
ⓐ	9. T-11423	ⓐ 220854-UR	Retaining Cap 45/65/85A	1	**26. T-11933**	T-11933	Starter Kit 45A, Hand	1	
ⓐ	10. T-11931	ⓐ 220953-UR	Retaining Cap 45/65/85A, Ohmic	1	** T-11934**	T-11934	Starter Kit 45A, Machine	1	
ⓑ	11. T-11422	ⓑ T-11422	Retaining Cap 105A	1	** T-11935**	T-11935	Starter Kit 65A, Hand	1	
ⓑ	12. T-11932	ⓑ T-11932	Retaining Cap 105A, Ohmic	1	** T-11936**	T-11936	Starter Kit 65A, Machine	1	
ⓐ	13. T-11378	ⓐ 220941-UR	Nozzle 45A	5	** T-11937**	T-11937	Starter Kit 85A, Hand	1	
ⓐ	14. T-11377	ⓐ 220819-UR	Nozzle 65A	5	** T-11938**	T-11938	Starter Kit 85A, Machine	1	
ⓐ	15. T-11405	ⓐ 220816-UR	Nozzle 85A	5	** T-11939**	T-11939	Starter Kit 105A, Hand	1	
ⓐ	16. T-12021	ⓐ 220797-UR	Nozzle 65/85A, Gouging	5	** T-11940**	T-11940	Starter Kit 105A, Machine	1	
ⓑ	17. T-12023	ⓑ 220991-UR	Nozzle 105A, Gouging	5	** T-11941**	T-11941	Empty box for Starter Kit, universal	1	
ⓑ	18. T-11840	ⓑ 220990-UR	Nozzle 105A	5					

ⓐ MUST BE USED ONLY AS A SET OF SHIELD AND NOZZLE, THIS COMPLETE SET IS INTERCHANGEABLE AND COMPATIBLE WITH ORIGINAL PARTS.

ⓑ MUST BE USED ONLY AS A SET OF SHIELD, RETAINING CAP AND NOZZLE, THIS COMPLETE SET IS INTERCHANGEABLE AND COMPATIBLE WITH ORIGINAL PARTS.

ⓐ MUST BE USED ONLY AS A SET OF ELECTRODE AND SWIRL RING, THIS COMPLETE SET IS INTERCHANGEABLE AND COMPATIBLE WITH ORIGINAL PARTS. ELECTRODES ARE PACKED TOGETHER WITH SWIRL RING SPRING HOLDER (BLACK PART) IN RATIO 5 ELECTRODES TO 1 HOLDER.

ⓐ RETAINING CAP UP TO 85A. FOR 105A - RETAINING CAP T-11422 HAS TO BE USED. DIFFERENT RETAINING CAP HAS TO BE USED FOR 105A AND FOR 45/65/85A.

** CONTENT: ELECTRODE 5 PCS (PACKED TOGETHER WITH SWIRL RING SPRING HOLDER), NOZZLE 5 PCS, SW. RING 1 PC, RET. CAP 1 PC, SHIELD 2 PCS

(20ⓐ), (21ⓐ) - ALSO POSSIBLE TO USE WITH FineCut® CONFIGURATION, BUT FOR BEST CUT QUALITY RESULTS - USE 220947-UR

SMART SOLUTION - DESIGN IMPROVEMENTS THAT BRINGS ADDED VALUE SUCH AS IMPROVED LIFETIME OF CONSUMABLES, EXCELLENT CUT QUALITY, SPEED OR BETTER COST EFFECTIVENESS OF YOUR SYSTEM

Last update of this page: 22/01/2019. See Revision history for details.

THERMACUT®
THE CUTTING COMPANY

WWW.THERMACUT.CZ
TEL.: +420 556 423 418
SALES@THERMACUT.CZ

WWW.THERMACUT.DE
TEL.: +49 (0) 27 39 40 33 0
INFO@THERMACUT.DE

WWW.THERMACUT.COM
TEL.: 1-603-542-6715
CUSTOMERSERVICE@THERMACUT.COM

THERMACUT®, THE CUTTING COMPANY®, FHT-EX®, EX-TRAFIRE®, EX-TRACK® AND EX-TRABEAM® ARE REGISTERED TRADEMARKS OF THERMACUT, K.S. AND MAY BE REGISTERED IN CZECH REPUBLIC AND/OR OTHER COUNTRIES. ALL OTHER TRADEMARKS ARE PROPERTIES OF THEIR RESPECTIVE OWNERS. THERMACUT IS NO WAY AFFILIATED WITH Hypertherm®. MOST THERMACUT PARTS ARE MADE FOR OR BY AN IBG COMPANY. PARTS INDICATED WITH A OEM ARE ORIGINAL PARTS MANUFACTURED BY THE ABOVE NAMED MANUFACTURER AND ARE BEING RESOLD BY THERMACUT. THERMACUT RESERVES THE RIGHT TO SUBSTITUTE OEM PARTS IN PLACE OF THERMACUT PARTS.
VALID FROM SEPTEMBER 2019 • PREVIOUS VERSION IS NO LONGER VALID. • © COPYRIGHT 2019 BY THERMACUT® CZECH REPUBLIC. ALL RIGHTS RESERVED.