

Specification

| Prepared | Checked | Approved | Accepted | Confirmed | Approved |
|----------|---------|----------|----------|-----------|----------|
| | | | | | |

| | | | | | | | |
|-----------|-------------|--------------------|----------------------|----------------------------|-------------------------|------------------------|-------------------|
| CE | RoHS | 2025 SMD | 240 LEDS/M | LED Strip | DC 24V | IP 20 | 3 Years |
|-----------|-------------|--------------------|----------------------|----------------------------|-------------------------|------------------------|-------------------|

Model: ☉ RN0SQ0XC

5000*3, 1200pcs 2025 SMD LED, bare board series , 24Vdc, constant voltage, LED flex strip

Picture:



Features:

- ☉ 3mm ultra-narrow strip, More widely used;
- ☉ Super dense arrangement, excellent light output
- ☉ Can be cut at the printed marks;
- ☉ CE, UL、RoHS, compliant.

Applications:

- ☉ Suitable for indoor use, such as in KTV, shopping mall, cabinet, etc. as edge decorative lighting or contour lighting.

Warranty:

- ☉ 3 years or 13,000 hours, whichever comes first.

Optical and Electrical Parameters:

| P/N | LED Color | CCT (K) WL (nm) | CRI | SDCM | Beam Angle (°) | Luminous Flux (lm) | Luminous Efficacy (lm/W) | Working voltage (VDC) | Working current(mA) | | Power(w) | |
|----------|-----------|--------------------|-----|------|----------------|--------------------|--------------------------|-----------------------|---------------------|----------------|--------------|----------------|
| | | | | | | | | | 1m[39 .37in] | 2.5m[78 .74in] | 1m[39 .37in] | 2.5m[78 .74in] |
| RN0SQ0XC | White | 3000 | ≥90 | ≤5 | ≥115 | 840 | 80 | 24 | 0.25 | 0.625 | 6 | 15 |
| RN0SQ0XC | White | 4000 | ≥90 | ≤5 | ≥115 | 960 | 95 | 24 | 0.25 | 0.625 | 6 | 15 |
| RN0SQ0XC | White | 6500 | ≥90 | ≤5 | ≥115 | 960 | 95 | 24 | 0.25 | 0.625 | 6 | 15 |

Others:

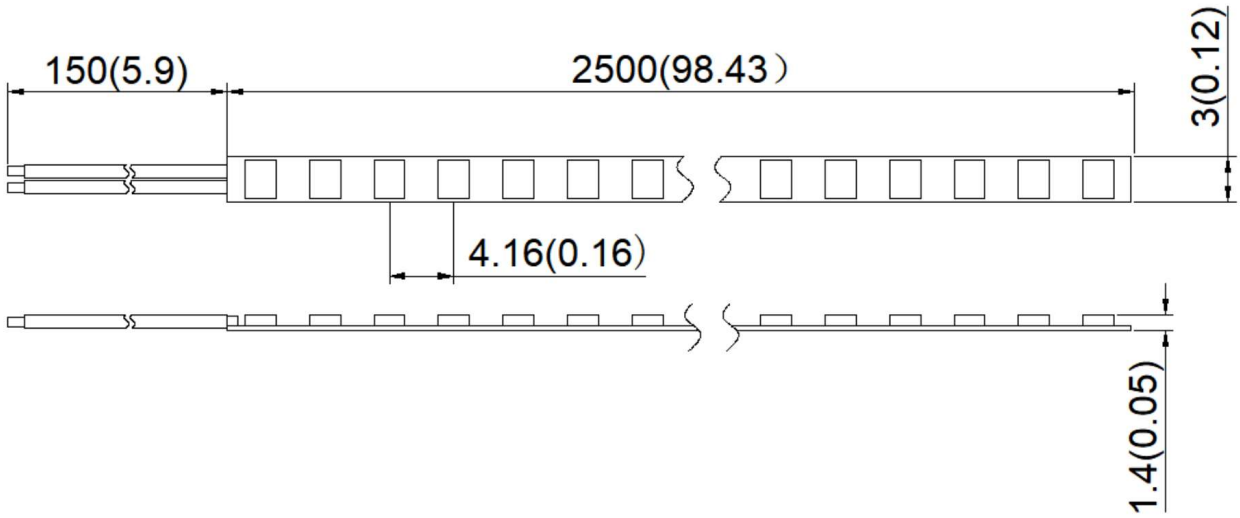
| P/N | IP Grade | Operating Temp | | Storage Temp | | Standard length | | Max. cascading length | | LED Qty (pcs/m) | Weight | |
|----------|----------|----------------|---------|--------------|----------|-----------------|--------|-----------------------|--------|-----------------|--------|-----------|
| | | (°C) | (°F) | (°C) | (°F) | (m) | (inch) | (m) | (inch) | | (g/m) | (lb/inch) |
| RN0SQ0XC | IP20 | -25~+60 | -13~+40 | -25~+70 | -13~+158 | 1 | 39.37 | 2.5 | 98.42 | 240 | / | / |

Notes:

- (1) Testing environment temperature: 25±2°C [77±3.6°F]
- (2) The actual data of each single product may differ from above typical data which are subject to change without prior notice
- (3) Bending radius ≥5cm, not suitable for channel letter application;
- (5) The above “-” means the parameters are not required temporarily

Profile Drawings:

Unit: mm[inch]

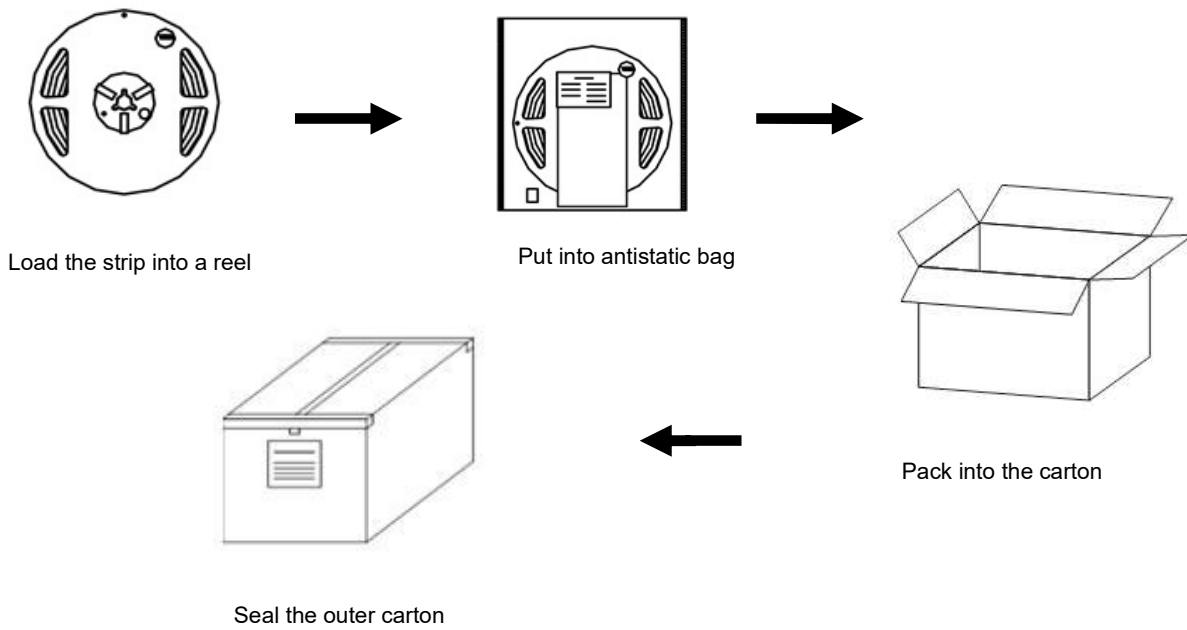


Packaging Information:

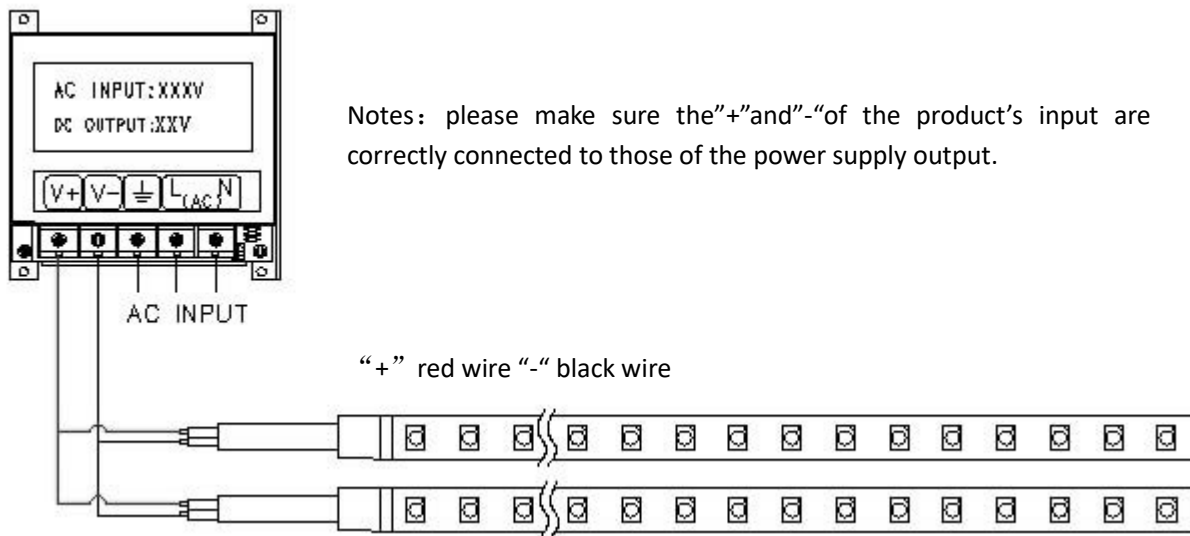
| P/N | Qty (m/reel) | Qty (m/carton) | Total Qty (m) | Total weight | | Outer carton size | | | | | |
|----------|-----------------|-------------------|---------------------|--------------|------|-------------------|--------|-------|--------|--------|--------|
| | | | | | | length | | width | | height | |
| | | | | (Kg) | (lb) | (mm) | (inch) | (mm) | (inch) | (mm) | (inch) |
| RNOSQ0XC | 5 | 400 | 400 | 3.5 | 7.7 | 458 | 18.03 | 256 | 10.07 | 268 | 10.55 |

Notes: the actual packed quantity and weight might differ from the above data in other packaging ways. Thus please refer to the actual product for detailed information.

Packaging Diagram:



Connection Instruction:



Parts & Tools:

○ Product Spare Parts

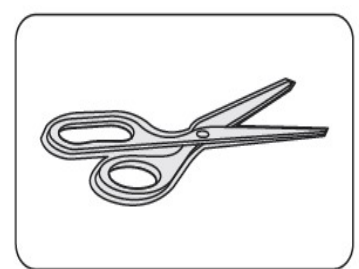


LED Strip

○ Self-provided Tools

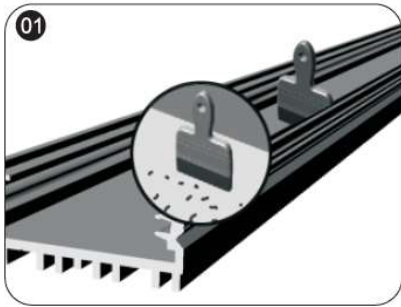


Electronic drill & Drilling bit

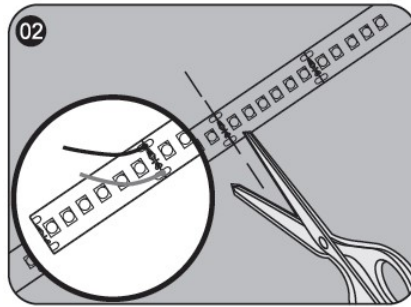


Scissors

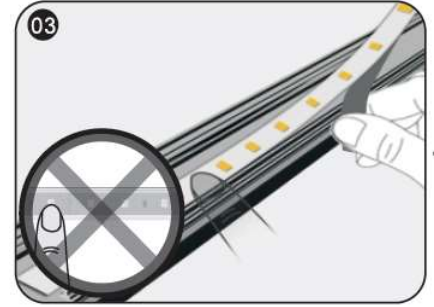
Installation Steps & Cautions:



⦿ Make sure the mounting surface is clean before installation;



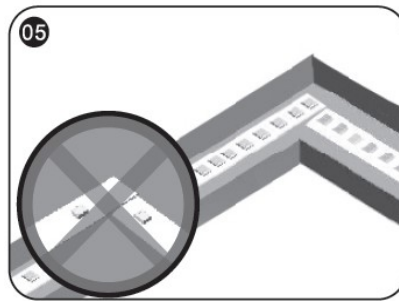
⦿ Calculate the needed length and cut off the extra length along cutting mark if necessary; if need to add wires, please weld them at the next location with printed mark.



⦿ while sticking strips, peel off the release paper of the tape step by step. Don't peel off all release paper at a time to avoid getting your strip in a mess.



⦿ Stick Mylar tape to isolate the cutting position from the bottom of profile inner slot to avoid short-circuit;

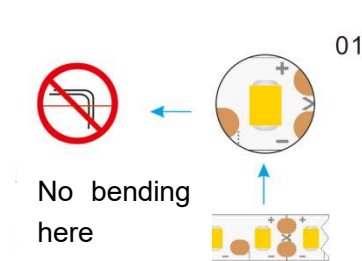


⦿ The installation at the corner is shown as the above figure.

△ Notes: No bending it into right angle; No twisting it to stick on the mounting surface.



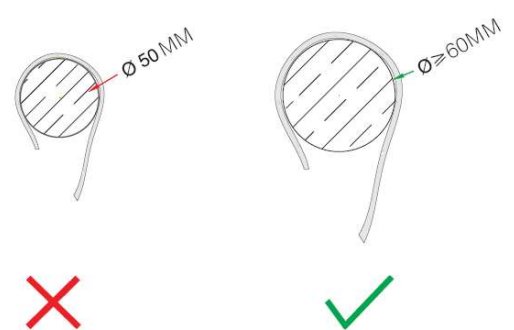
⦿ Connect strip wires to the output terminal of power supply, and dispose with waterproof, insulation, short-circuit and anti-corrosion protection at both the wire joints and the cut section of your strip (if any).



⦿ No bend the strip at the position of LED



⦿ No twisting the strip



⦿ No winding an object with a diameter <5cm.

Troubleshooting:

| Malfunctions | Possible Causes | Solutions |
|--------------------------------------|---|--|
| All LEDs don't work | 1. The power supply did not connect to power grid. | Power on |
| | 2. No electricity due to short-circuit of external power supply. | Remove the malfunction caused by short-circuit, power on again. |
| | 3. The wires of strip light connect to power supply output reversely. | Check the connecting and ensure the wires are connected correctly. |
| Part of LEDs don't work | 1. Part of power supplies do not have output. | Check the power supply system. |
| | 2. Part of wires of strip light have malfunction. | |
| | 3. Particular strip light connected reversely. | Correct connection |
| Brightness of LEDs is weak or uneven | 1. Overloaded power supply; | Replace it with higher power supply |
| | 2. The power loss of power circuit is huge or the power loss of each circuit existing big difference. | Ensure working voltage of strips is within $\pm 5\%$ V of rated voltage. 1. Shorten the length of wires between the first strip and power supply or replaced with wires with bigger diameter; 2. Ensure the cascading qty of string is less than or equal to the allowed maximum cascading qty, and each strip cascading qty is well-balanced. |
| | 3. Exceed in qty of strip light in series | Lessen the cascading qty for strip and ensure the qty for each electrical circuit is within the maximum cascading qty. |
| LEDs are blinking | 1. Poor contacted in the joints. | Find out and tackle malfunction immediately. |
| | 2. Failures in power supply. | Replace power supply. |

Declaration:

- ⊙ If the external flexible cable of light box is damaged, please replace it by its manufacturer or its service agent or qualified person to avoid a hazard.
- ⊙ The specific installation and cautions please refer to the user manual.
- ⊙ The given data in this specification is based on our standard product. There may be existed slight difference compared with actual products.
- ⊙ All illustrations in this specification are for reference only.
- ⊙ This product is subject to change or modify without prior notice.
- ⊙ RISHANG OPTOELECTRONICS CO., LTD reserves the right of final explanation for this specification.

<End>

Rishang Optoelectronics Co., Ltd (stock code: 002654)

Add: Block 2, Hongfa jiateli High-Tech. Park Tangtou Ave., Shiyan, Bao'an Shenzhen
Guang Dong, 518108, China

Tell: +86-755-36988588 E-mail: info@ledlamps.com.cn

Website: www.ledlamps.com.cn

Website



Wechat Accounts

