

MAKEN

Heavy Duty Large Cash Drawer

Make It Happen

INNOVATION QUALITY SERVICE

CK-4100 Series CK-410

Made of heavy gauge steel , suitable for heavy duty use and prolonged operational life, the ideal choice for reliability and perfect platform for any EPoS terminal also the ideal base for large size ECR.



Stainless steel drawer front



Durable Metal Wire Gripper
Tested over one million operations

Easy and comfortable operation. Human
Engineering Design

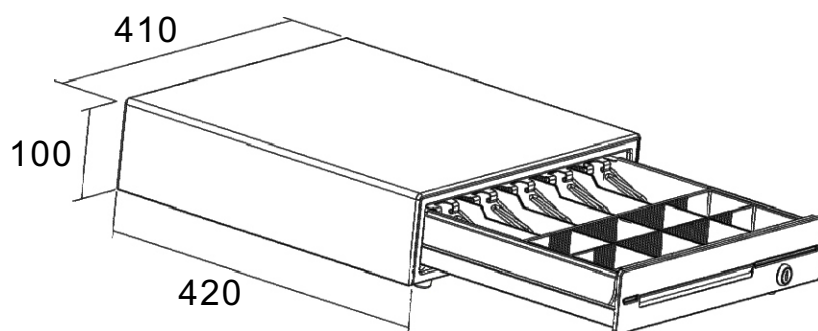
Removable and adjustable cash tray

CK-410 Series Specifications

MODEL NUMBER	CK-410
PHYSICAL	
Dimension	410(W)x420(D)x100(H)mm
Construction	Thick gauge cold rolled steel & SECC
Finish	Textured hybrid powder coat
Color	Black, Beige and Custom type
Roller	Polyurethane for smooth operation
CASH TRAY (INSERT)	
Construction	Shatter-resistant plastic
Currency Layout	4,5,6,8-Bill with Metal Metal wire grips, 8 Adjustable Coin Slots
Media Slots	1
OPERATION	
Drawer Lock	3-Position lock / 4-Functions: locked open/ closed, manual open, electronically driven
Interface	RJ11, RJ12, USB, RS232, DC Φ 2.5 /3.5 Jack, custom type
Lifecycle	MTBF 1,000,000 times +
Micro Switch	Cash Drawer Status Micro Switch

OPTION	ACCESSORIES	
	Part Number	Description
Micro-switch		
Stainless Steel Front	Tray-4148, Tray-4158 Tray-4168, Tray-4188	Cash Tray
Cash tray with different currency layout	Cover-41458	Lockable Cover for Tray-4148, Tray-4158
Different color	Bracket-41268	Under Mounting brackets
Different interfaces	DT-100U	USB Trigger
	DT-100RS	Serial Interface Trigger

Packing Details			
Models	Net Weight(kg)	Gross Weight(kg)	Carton Size(cm)
CK-410	7.8	8.8	47.0 x 48.0 x 17.0



CK-410

Xiamen Maken Tech Co., Ltd.

No.77,Huli Industrial Zone,Xike,

Tong' an District,Xiamen 361100

Fujian China

Tel: +86-592-5768733

Fax: +86-592-5768735

www.maken.com.cn

E-mail: export@maken.com.cn

Specifications are subjected to change without notice.

