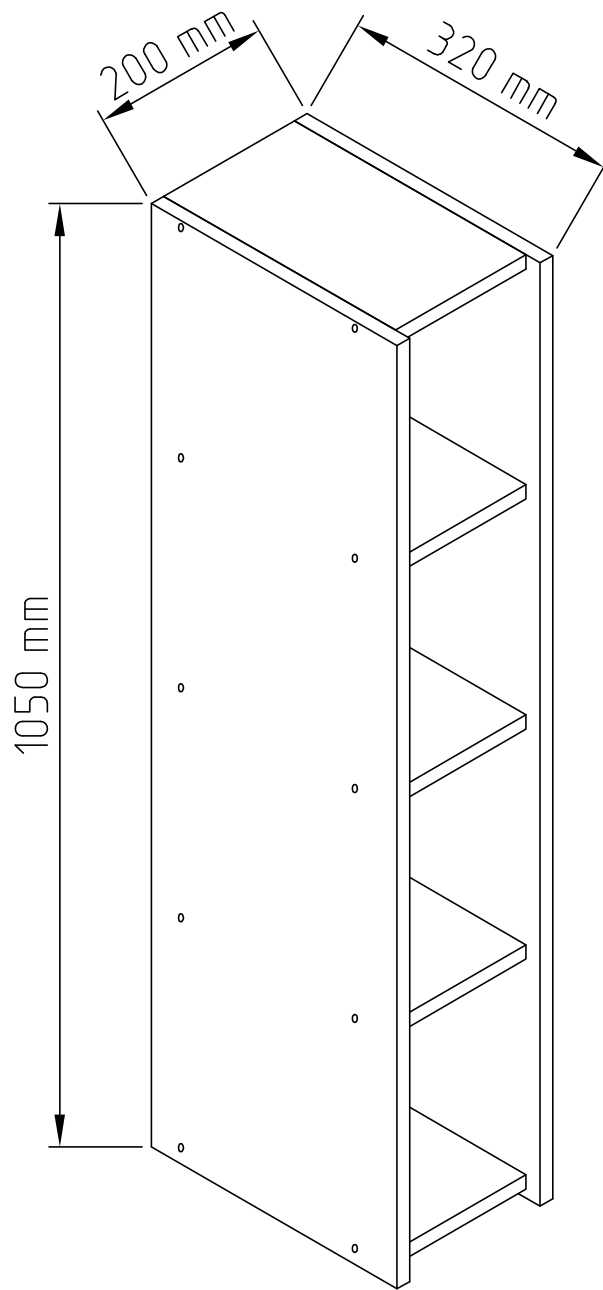
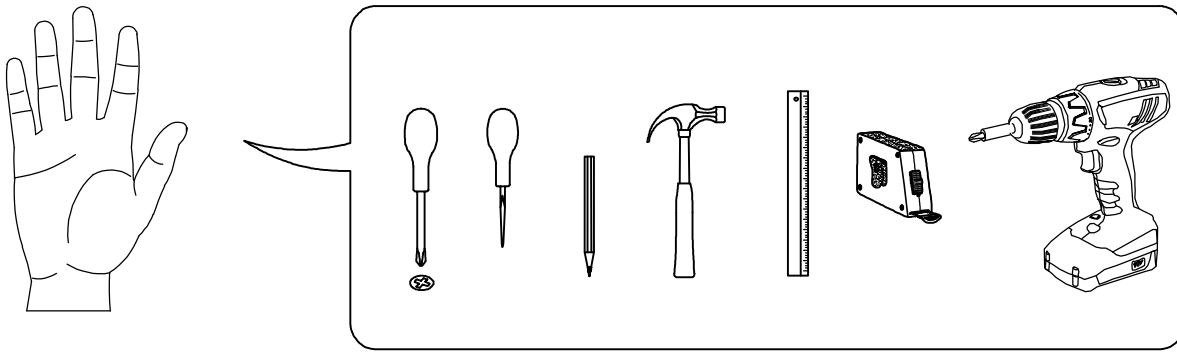


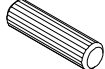

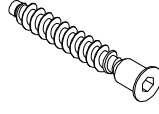
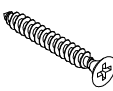
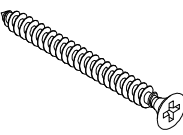
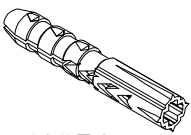
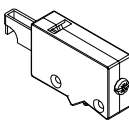
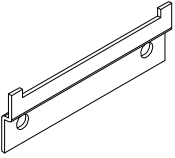
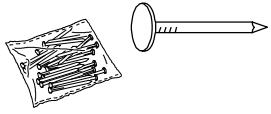
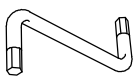
# **B 20 Π (1050)**

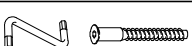
## **ΓΡΑΦΙΤΙ (GRAFFITI)**

### **U 20 S (1050)**





 <b>A1</b> 8*30mm x20	 <b>B</b> $\phi$ 12mm x20	 <b>B1</b> 6,3*50mm x20
 <b>E15</b> 4*30mm x8	 <b>E25</b> 6*60mm x4	 <b>H6</b> 10*50mm x4
 <b>N1</b> x2	 <b>O4</b> x2	 <b>R3</b> 1.4*25mm 0.010kg
 <b>R4</b> N°4 x1		

No	a*b	x
1L	1050x316	x1
1R	1050x316	x1
2	167x298	x5
3	1036x197	x1
		x1

# B 20 П (1050)

