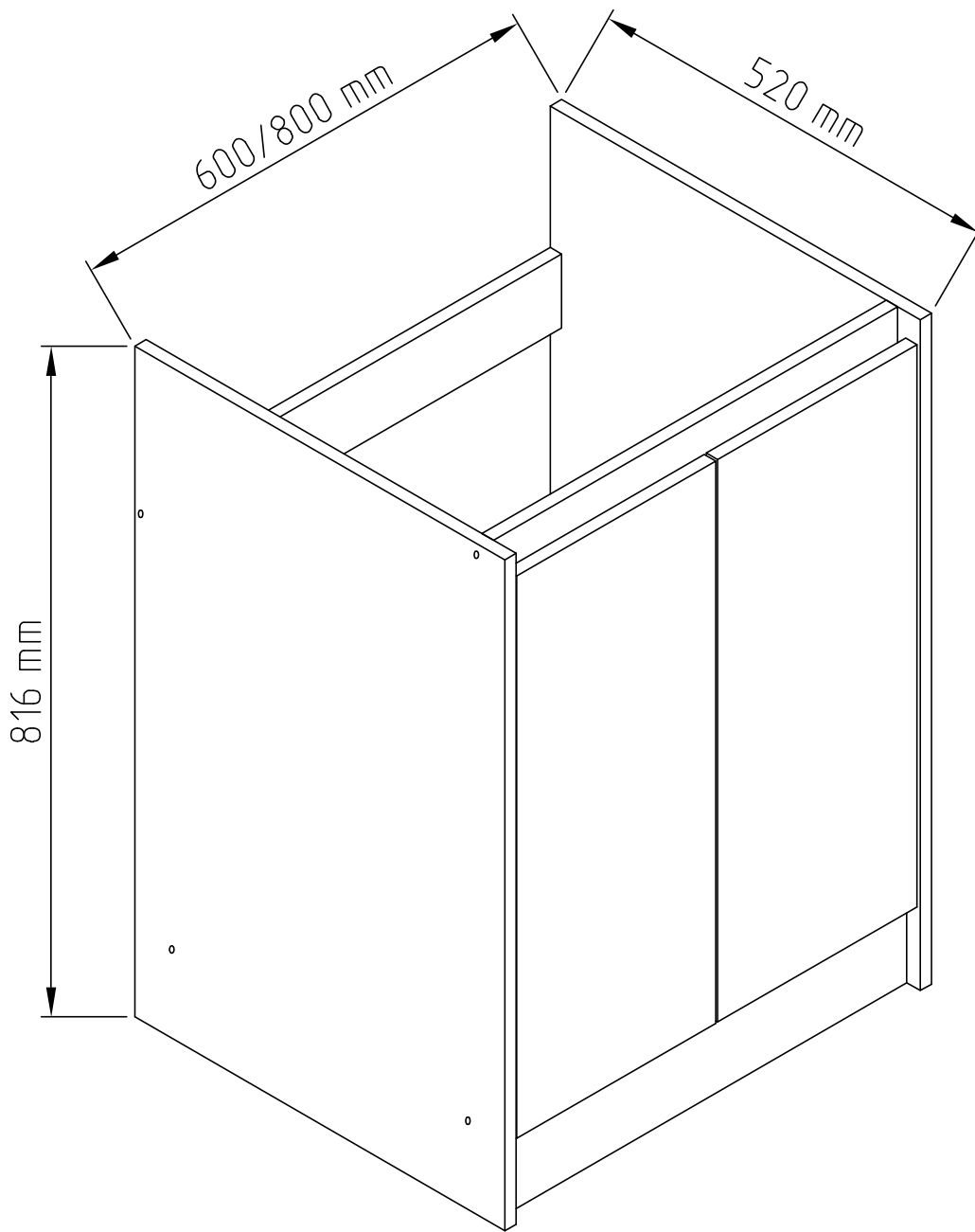
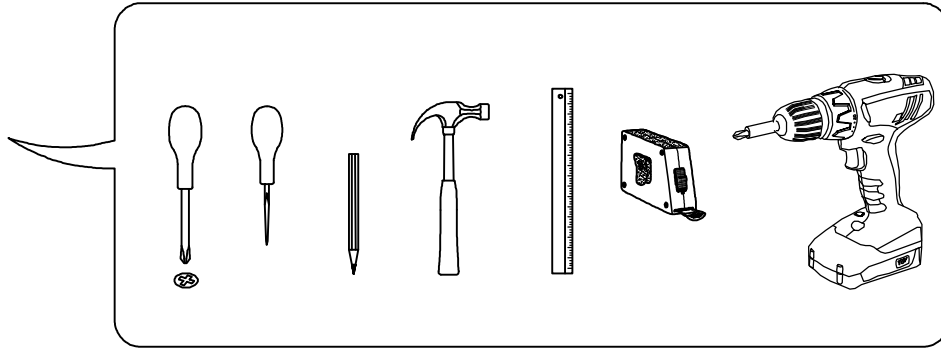
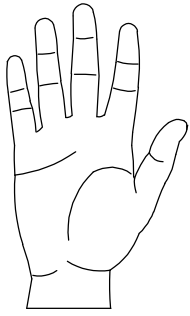


H 60/ 80 M

ΓΡΑΦΙΤΙ (GRAFFITI)

D 60/80 W





 A1 8*30mm x12	 B ϕ 12mm x8	 B1 6,3*50mm x8
 E12 4*16mm x8	 E15 4*30mm x8	 F4 6,3*13mm x8
 K1 x4	 L3 x4	 R3 1.4*25mm 0.010kg
 R4 N°4 x1	 U3 x2	

No	a*b		x
	H 60 M	H 80 M	
1L	816x520	816x520	x1
1R	816x520	816x520	x1
2	567x502	767x502	x1
3	567x60	767x60	x1
4	567x90	767x90	x1
5	567x100	767x100	x1
6	684x280	684x380	x2
7	200x200	200x200	x2
			x1

