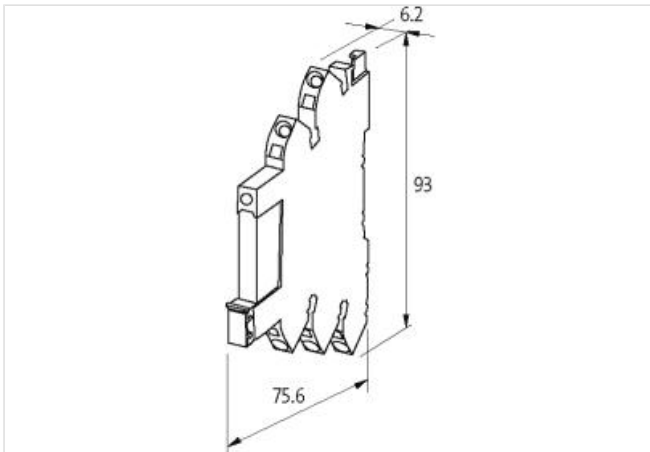
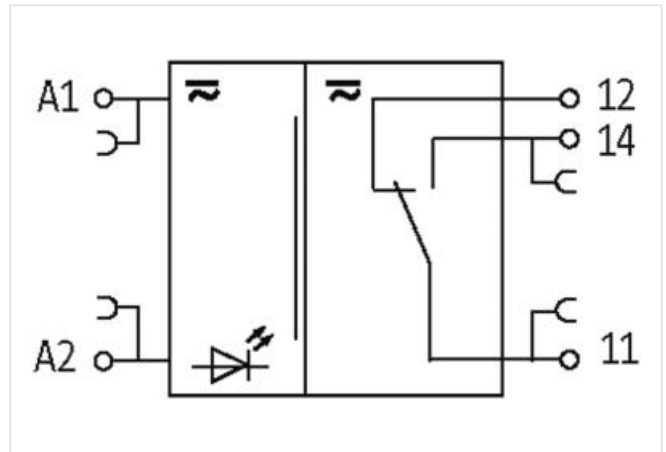


**MIRO 6.2 PLUGGABLE COMPL.MODULE OUTPUT RELAY**

IN: 12 VAC/DC - OUT: 250 VAC/30VDC / 6 A

1 NO/NC contact  
6 A  
12 V AC/DC  
Spring clamp terminals

[Link to Product](#)**Illustration**

Product may differ from Image

**General data**

Mounting method	DIN-rail mountable (EN 60715)
Temperature range	-25...+60 °C
Test isolation voltage	250 V
Mech./ elect. life	10 000 000 switching cycles (NO) 30 000; (NC) 10 000, load dependent
Protection	IP20
Dimensions H×W×D	93×6.2×75.6 mm

The information in this brochure has been compiled with the utmost care.

Liability for the correctness completeness and topicality of the information is restricted to gross negligence. Version: 2022-09-29

Murrelektronik GmbH | Falkenstr. 3 | 71570 Oppenweiler | Fon +49 (71 91) 47-0 | Fax +49 (71 91) 47-491000 | shop@murrelektronik.com | shop.murrelektronik.com

Output	
Min. load current	100 mA
Contact material	Ag Sn O2
Energize/release/contact bounce time	8/4/- ms
Switching voltage	max. 250 V AC/30 V DC
Switching frequency	max. 10 Hz
Power rating (voltage dependent)	max. 1500 VA/180 W
Switching current per output	max. 6 A
Input	
Connection voltage - current	9.8...14 V AC/DC - approx. 14.2 mA
LED display	LED (green)
Utilization category	
AC-15	3 A (24/110 V AC); 1.5 A (230 V AC)
AC-12	6 A (24/110/230 V AC)
DC-13	1 A (24 V DC); 0.2 A (110 V DC); 0.1 A (230 V DC)
Article No.	3000-16023-3100005