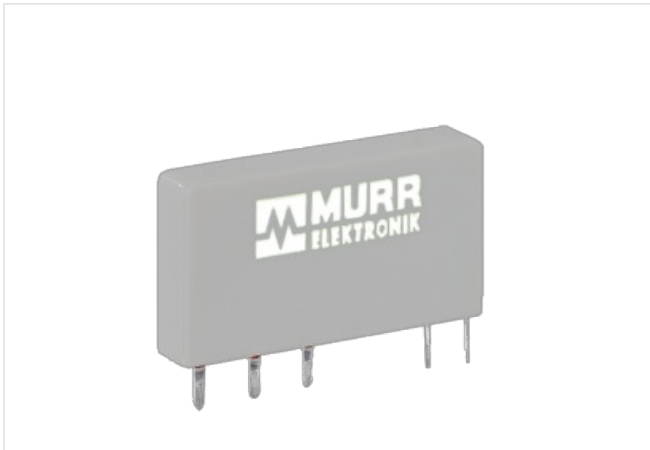


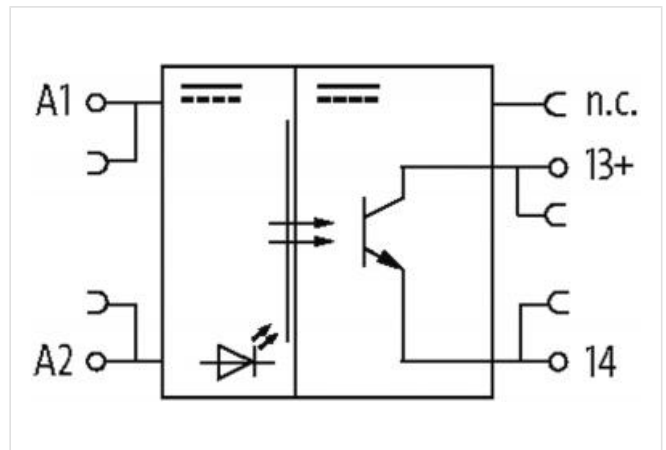
MIRO 6.2 PLUGGABLE PLUG IN MODULE OUTPUT RELAY

IN: 12 VAC/DC - OUT: 250 VAC/DC / 6 A

Output relay
1 relay; 1 NO contact
12 V AC/DC

[Link to Product](#)**Illustration**

Product may differ from Image

**General data**

Test isolation voltage	300 V
Mounting method	pluggable
Temperature range	-40...+60 °C (storage temperature -40...+60 °C)

Output

Switching voltage	max. 250 V AC/30 V DC
Switching current per output	max. 6 A
Min. load current	10 mA
Power rating (voltage dependent)	max. 1500 VA/120 W
Contact material	Ag Sn O2
Energize/release/contact bounce time	8/4/- ms

Input

Input voltage	12 V AC/DC
---------------	------------