

Part Number : SEM5027

Function : 1CH Switching Type (Boost) 16SOP 30V MP

Package : SOP 16 Pin

Maker : Samsung

Image :

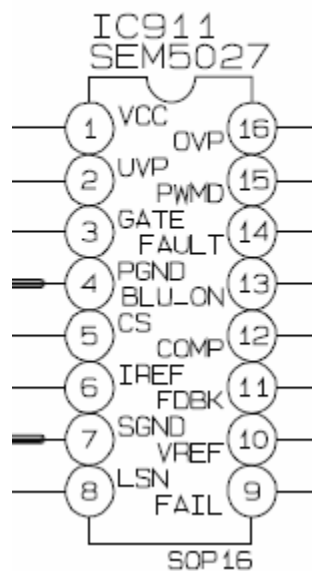


Description :

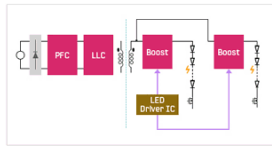
The LED driver IC is focused on effectively driving and controlling the LED, which is usually used in the backlight unit (LCD TV, Monitor). The SEMCO LED Driver IC provides a high contrast ratio through the DC - DC conversion and dimming control.

Pinout :

SEM5027



Depending on the controlling method, it either supports the linear type or the switching type topology.



General features

- LED Driver IC
- LLC IC(Flyback)

Applications

- LED TV
- Monitor
- MFM (Multi Function Monitor)

Specification

Part Number	Electrical Function	Package	Voltage Ratings	Status
SEM4011	8CH Linear Type	48TQFP	40V	MP
SEM5027	1CH Switching Type (Boost)	16SOP	30V	MP
SEM3130	Dual Feedback LLC	28SOP	30V	Developing
SEM4012	8CH Linear Type	48TQFP	30V	Developing
SEM4040	4CH Linear Type (Boost)	16SOP	20V	Developing
SEM5028	2CH Switching Type (Boost)	24SOP	20V	Developing