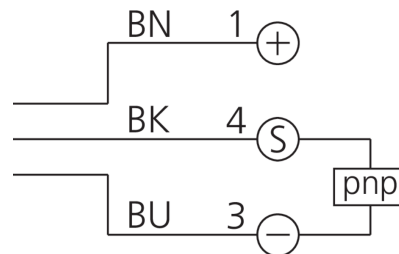
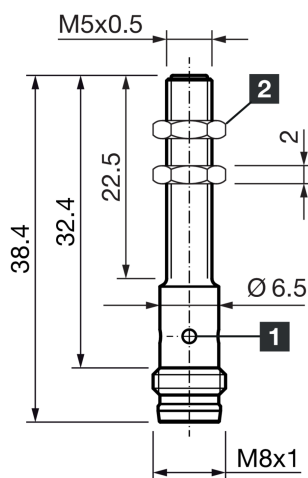




**210429**  
**DCC 05 V 0.8 PSK-TSL**  
**Inductive proximity sensor**

- Stainless steel housing
- Metal connector M8
- Integrated amplifier
- Short-circuit protection
- Starting pulse suppression
- LED



1) LED 4 x 90° (yellow)

2) Width over flats 7 mm

BK: black

BN: brown

BU: blue

**Function**



**Technical data (typ.)**

**+20°C, 24 V DC**

Service voltage	10 ... 30 V DC
No-load current (max.)	10 mA
Insulation voltage endurance	500 V
Installation type	Flush
Thread	M5 x 0,5
Housing material	Stainless steel (V2A 1.4305 / AISI 303)
Material	PBT (Sensor probe)
Protection class	III, operation on protective low voltage
Operating principle	inductive
Evaluation	digital
Design	Thread
Product series	INSM Standard Miniature
Switching output	pnp, 100 mA, NO
Voltage drop (max.)	1,5 V
Switching distance (SN)	0,8 mm
Standardized measuring plate	5 x 5 x 1 mm
Switching hysteresis (max.)	1 %
LED Anzeige	Yes
Switching frequency	5.000 Hz
Ambient temperature during operation	-25 ... +70 °C



**210429**

**DCC 05 V 0.8 PSK-TSL**

**Inductive proximity sensor**

**Technical data (typ.)**

**+20°C, 24 V DC**

Protection type

IP 67

Connection

Connector, M8, 3-pin

Connection cable

TK ...

**More information / accessories**

<https://www.di-soric.com/210429>