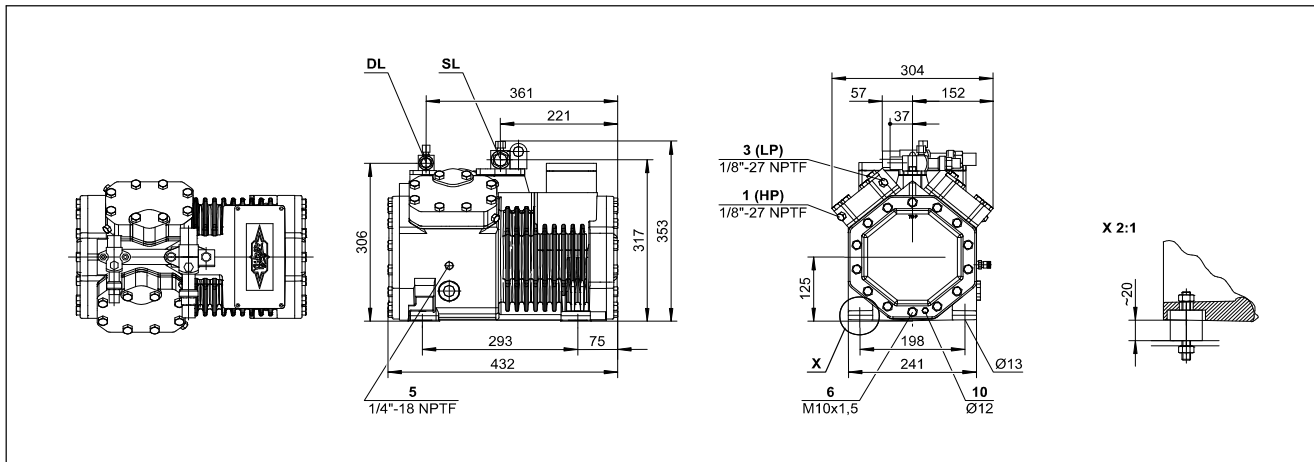




Version 5.3

17.09.2022 /

**: 4EC-4.2Y-40S**



- (1450 / 50 )	22,72 m <sup>3</sup> /h
- (1750 / 60 )	27,42 m <sup>3</sup> /h
( . )	4 x 46 mm x 39,3 mm
( )	380-420V Y-3-50 Hz
( )	10.7 A
( )	53.5 A
( / )	84 kg
	19 / 28 bar
	28 mm - 1 1/8"
	16 mm - 5/8"
R134a/R404A/R507A/R407C	tc<55°C: BSE32 / tc>55°C: BSE55 (Option)
R22 (R12/R502)	B5.2 (Standard)
R290/R1270	SHC226E (Standard)
	2,00 dm <sup>3</sup>
	0..120 W PTC (Option)
	OLC-K1 (Option, not for R290/R1270)
	Option
	SE-B1
	IP65
	Option
	100-50% (Option)
	Option
	Standard
(-10°C/45°C) @50	70,0 dB(A) @ 50Hz
(-35°C/40°C) @50	72,0 dB(A) @ 50Hz
@1 (-10°C/45°C) @50	62,0 dB(A) @ 50Hz
@1 (-35°C/40°C) @50	64,0 dB(A) @ 50Hz