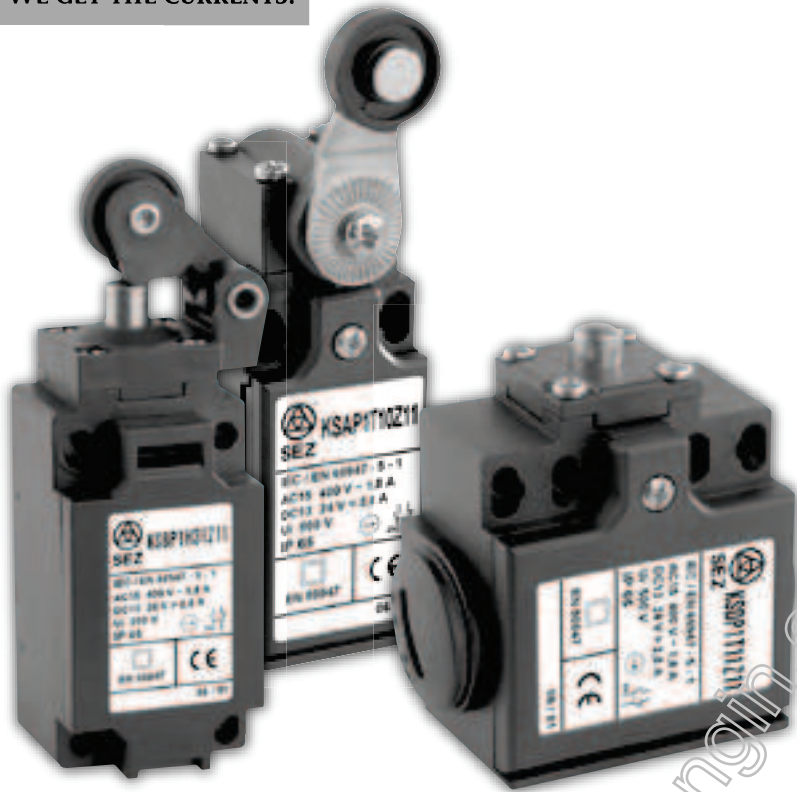




# SEZ

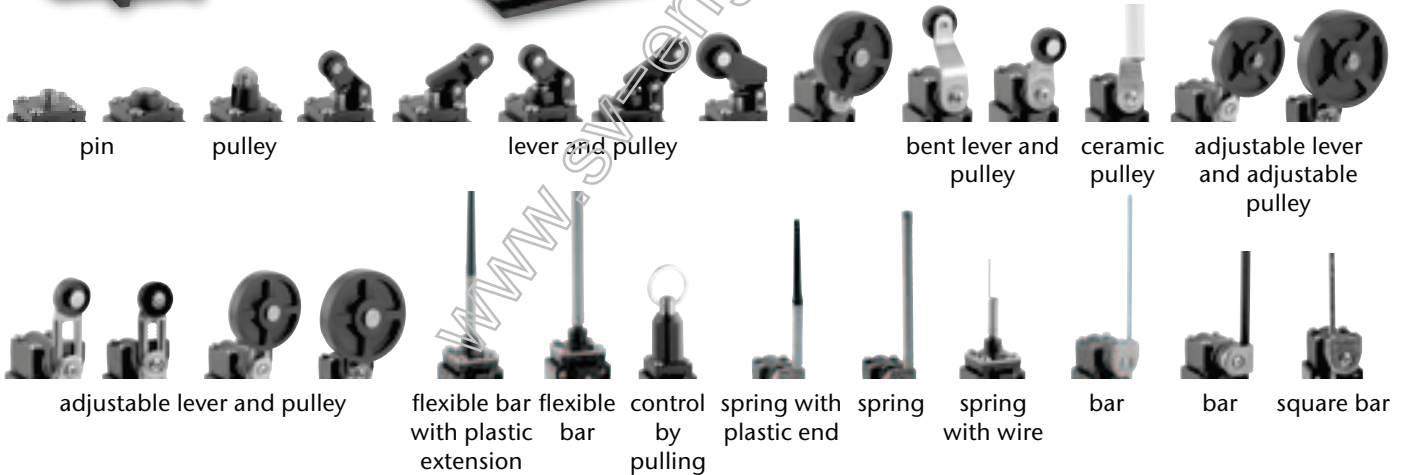
WE GET THE CURRENTS.

## Plastic terminal switches



The full selection of SEZ plastic terminal switches:

- 27 plastic heads,
- more than 630 types,
- IP 65,
- **KSAP** series with vertically positioned switching unit,
- **KSDP** series with horizontally positioned switching unit,
- **KSBP** series provides for optional installation of three-pole switching units.




The easily controllable electromechanic terminal switches provide for specific qualities:

- visible operation
- ability to switch heavy currents, conventional thermal current 10 A
- electrically separated contacts
- precise operation points (consistency)
- resistance to electromagnetic interference.

These switches are practical detecting devices due to the following characteristics:

- presence/absence
- positioning and movement restriction
- object passing/counting

### Description

Terminal switches, made of reinforced thermoplastic glass fibre UL-VO, provide for double insulation  and the degree of protection IP 65.

Cover is supplied in two sizes:

- - AP ... width 30 mm; - DP ... width 50 mm.



Producer:

SEZ a.s., M. R. Štefánika 1831/46, 026 19 Dolný Kubín, Slovakia  
e-mail: marketing@sez.biz

www.sez.biz



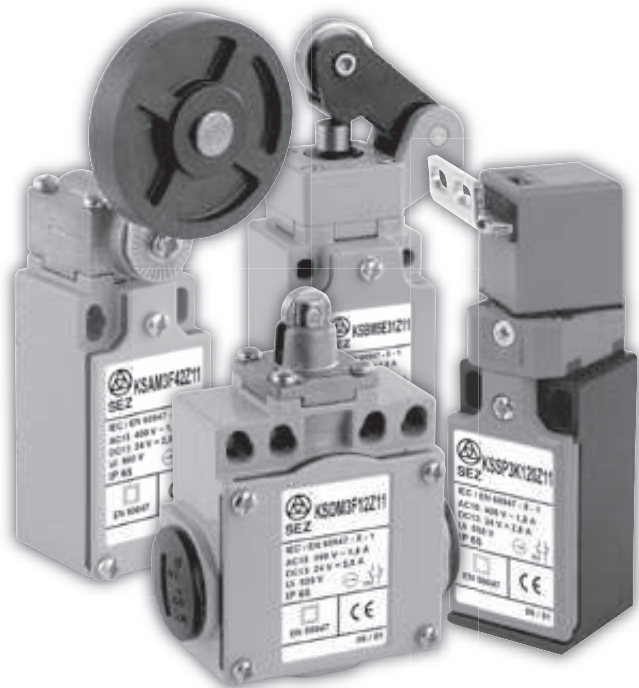
www.sv-engin.com.ua



# SEZ

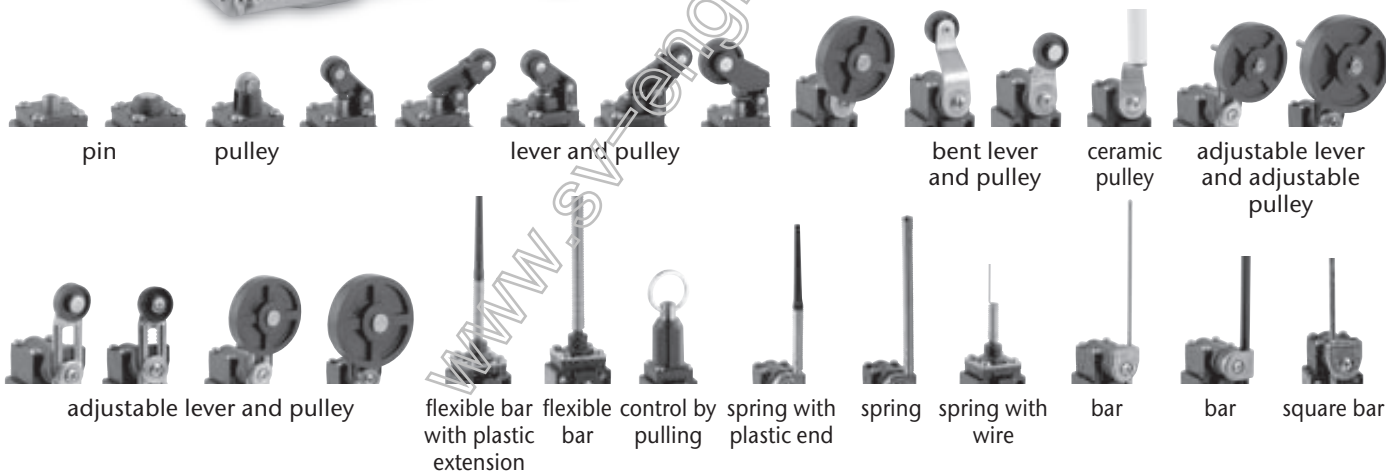
WE GET THE CURRENTS.™

## Metal and safety terminal switches



SEZ a. s. introduces a complete series of metal and safety terminal switches:

- 27 plastic heads,
- more than 300 types,
- IP 66,
- KSDM series with horizontally positioned switching unit that enables looping of several terminal switches, supplied with the M20 metric cable gland,
- KSBM series provides for optional installation of three-pole switching units, supplied with the M20 metric cable gland,
- KSAP series: resettable safety terminal switches supplied with the PG 11 cable gland,
- KSSP series: safety terminal switches supplied without a cable gland,
- applied standard: EN 50047



The easily controllable electromechanic metal terminal switches are provided with specific qualities and the following characteristics:

- visible operation,
- ability to switch heavy currents, conventional thermal current of 10 A
- electrically separated contacts,
- precise operation points,
- resistance to electromagnetic interference,
- IP 66,
- KSAM: width of 30 mm
- KSDM: width of 50 mm

- KSBM: width of 40 mm
- KSSP: width of 30 mm
- KSAP: width of 30 mm

### Description

Terminal switches are practical detecting devices due to the following characteristics:

- presence / absence,
- positioning and movement restriction,
- passing / counting of objects.



# SEZ

Manufacturer: SEZ a. s., [www.sez.biz](http://www.sez.biz)

Exclusive representation for the Slovak Republic:

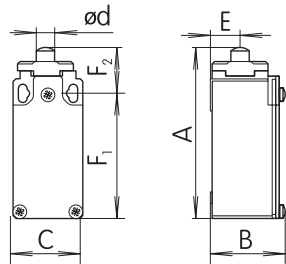
SEZ-TRADE s. r. o., M. R. Štefánika 1831/46, 026 19 Dolný Kubín, SR

Phone: ++421 43 5809 226; ++421 43 5809 258; Fax: ++421 43 5809 503

e-mail: [odbyt@sk.sez.biz](mailto:odbyt@sk.sez.biz)

**Terminal switch with a pin KSAM3F11-y**

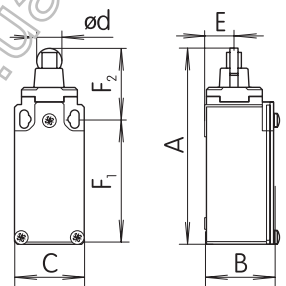
Connection	Work diagram	Type
13-14 / 21-22	Zb 0 1.3 2.5 4.1 5.6 mm	KSAM3F11-Z11
13-14 / 21-22	Zb 0 1.6 3.2 5.6 mm	KSAM3F11-X11
13-14 / 21-22	Zb 0 2.9 4.5 5.6 mm	KSAM3F11-Y11
11-12 / 21-22	Zb 0 1.5 3.1 5.6 mm	KSAM3F11-W02
13-14 / 23-24	Zb 0 1.4 5.6 mm	KSAM3F11-W20
11-12 / 21-22	Zb 0 1.3 2.4 4.0 5.6 mm	KSAM3F11-Z02



Type \ [mm]	A	B	C	ød	E	F <sub>1</sub>	F <sub>2</sub>
KSAM3F11-y	75	32,5	30,3	8	12,5	55	20

**Terminal switch with a pulley KSAM3F12-y**

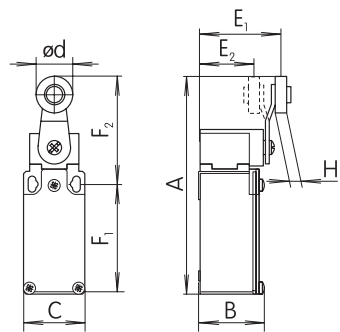
Connection	Work diagram	Type
13-14 / 21-22	Zb 0 2.5 4.7 7.6 9.6 mm	KSAP3T1x-Z11
13-14 / 21-22	Zb 0 3.2 6.0 9.6 mm	KSAM3F12-X11
13-14 / 21-22	Zb 0 5.3 8.2 9.6 mm	KSAM3F12-Y11
11-12 / 21-22	Zb 0 3.0 5.9 9.6 mm	KSAM3F12-W02
13-14 / 23-24	Zb 0 2.8 9.6 mm	KSAM3F12-W20
11-12 / 21-22	Zb 0 2.5 4.5 7.4 9.6 mm	KSAM3F12-Z02



Type \ [mm]	A	B	C	ød	E	F <sub>1</sub>	F <sub>2</sub>
KSAM3F12-y	86	32,5	30,3	11	12,5	55	31

**Terminal switch with a lever and a plastic pulley ø18 KSAM3F41-y**

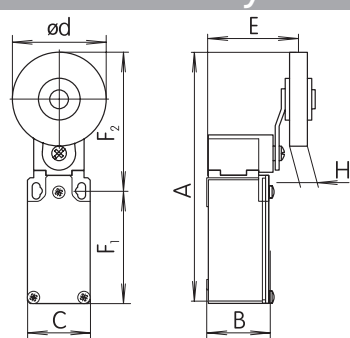
Connection	Work diagram	Type
13-14 / 21-22	Zb 0 17 31 47 74°	KSAM3F41-Z11
13-14 / 21-22	Zb 0 21 37 74°	KSAM3F41-X11
13-14 / 21-22	Zb 0 35 51 74°	KSAM3F41-Y11
11-12 / 21-22	Zb 0 19 37 74°	KSAM3F41-W02
13-14 / 23-24	Zb 0 18 74°	KSAM3F41-W20
11-12 / 21-22	Zb 0 17 30 46 74°	KSAM3F41-Z02



Type \ [mm]	A	B	C	ød	E <sub>1</sub>	E <sub>2</sub>	F <sub>1</sub>	F <sub>2</sub>	H
KSAM3F41-y	108	32,5	30,3	18	40	25	55	53	5,5

**Terminal switch with a lever and a rubber pulley ø50 KSAM3F42-y**

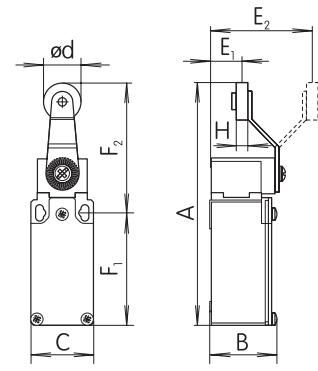
Connection	Work diagram	Type
13-14 / 21-22	Zb 0 17 31 47 74°	KSAM3F42-Z11
13-14 / 21-22	Zb 0 21 37 74°	KSAM3F42-X11
13-14 / 21-22	Zb 0 35 51 74°	KSAM3F42-Y11
11-12 / 21-22	Zb 0 19 37 74°	KSAM3F42-W02
13-14 / 23-24	Zb 0 18 74°	KSAM3F42-W20
11-12 / 21-22	Zb 0 17 30 46 74°	KSAM3F42-Z02



Type \ [mm]	A	B	C	ød	E	F <sub>1</sub>	F <sub>2</sub>	H
KSAM3F42-y	124	32,5	30,3	50	43,5	55	69	9

**Terminal switch with a bent lever and a plastic pulley  $\varnothing 18$  KSAM3F45-y**

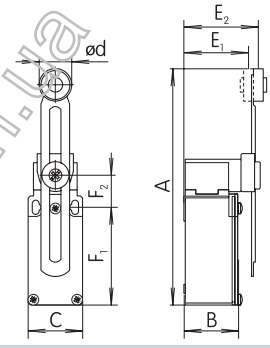
Connection	Work diagram	Type
13-14 21-22	Zb 0 17 31 47 74° 21-22 13-14	KSAM3F45 -Z11
13-14 21-22	Zb 0 21 37 74° 21-22 13-14 30	KSAM3F45 -X11
13-14 21-22	Zb 0 35 51 74° 21-22 13-14 18	KSAM3F45 -Y11
11-12 21-22	Zb 0 19 37 74° 11-12 21-22	KSAM3F45 -W02
13-14 23-24	Zb 0 18 74° 13-14 23-24	KSAM3F45 -W20
11-12 21-22	Zb 0 17 30 46 74° 11-12 21-22 11-12 21-22	KSAM3F45 -Z02



Type \ [mm]	A	B	C	ød	E <sub>1</sub>	E <sub>2</sub>	F <sub>1</sub>	F <sub>2</sub>	H
KSAM3F45-y	116	32,5	30,3	18	15,5	48,8	55	61	5,5

13-14 21-22	Zb 0 17 31 47 74° 21-22 13-14	KSAM3F51 -Z11
13-14 21-22	Zb 0 21 37 74° 21-22 13-14 30	KSAM3F51 -X11
13-14 21-22	Zb 0 35 51 74° 21-22 13-14 18	KSAM3F51 -Y11
11-12 21-22	Zb 0 19 37 74° 11-12 21-22	KSAM3F51 -W02
13-14 23-24	Zb 0 18 74° 13-14 23-24	KSAM3F51 -W20
11-12 21-22	Zb 0 17 30 46 74° 11-12 21-22 11-12 21-22	KSAM3F51 -Z02

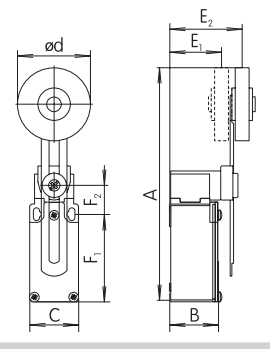
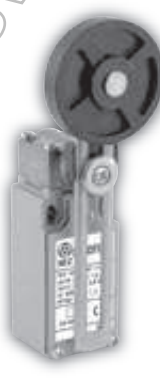
**Terminal switch with an adjustable lever and a plastic pulley KSAM3F51-y**



Type \ [mm]	A	B	C	ød	E <sub>1</sub>	E <sub>2</sub>	F <sub>1</sub>	F <sub>2</sub>
KSAM3F51-y	100,5÷172,5	32,5	30,3	18	34	41	55	17,5

13-14 21-22	Zb 0 17 31 47 74° 21-22 13-14	KSAM3F52 -Z11
13-14 21-22	Zb 0 21 37 74° 21-22 13-14 30	KSAM3F52 -X11
13-14 21-22	Zb 0 35 51 74° 21-22 13-14 18	KSAM3F52 -Y11
11-12 21-22	Zb 0 19 37 74° 11-12 21-22	KSAM3F52 -W02
13-14 23-24	Zb 0 18 74° 13-14 23-24	KSAM3F52 -W20
11-12 21-22	Zb 0 17 30 46 74° 11-12 21-22 11-12 21-22	KSAM3F52 -Z02

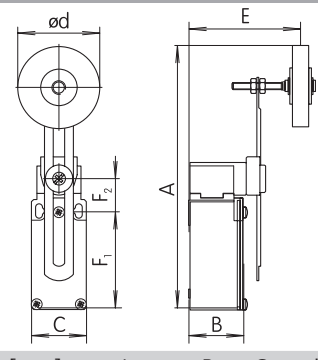
**Terminal switch with an adjustable lever and a rubber pulley  $\varnothing 50$  KSAM3F52-y**



Type \ [mm]	A	B	C	ød	E <sub>1</sub>	E <sub>2</sub>	F <sub>1</sub>	F <sub>2</sub>
KSAM3F52-y	127,5÷186	32,5	30,3	50	32,5	44,5	55	17,5

13-14 21-22	Zb 0 17 31 47 74° 21-22 13-14	KSAM3F55 -Z11
13-14 21-22	Zb 0 21 37 74° 21-22 13-14 30	KSAM3F55 -X11
13-14 21-22	Zb 0 35 51 74° 21-22 13-14 18	KSAM3F55 -Y11
11-12 21-22	Zb 0 19 37 74° 11-12 21-22	KSAM3F55 -W02
13-14 23-24	Zb 0 18 74° 13-14 23-24	KSAM3F55 -W20
11-12 21-22	Zb 0 17 30 46 74° 11-12 21-22 11-12 21-22	KSAM3F55 -Z02

**Terminal switch with an adjustable lever and an adjustable rubber level  $\varnothing 50$  KSAM3F55-y**

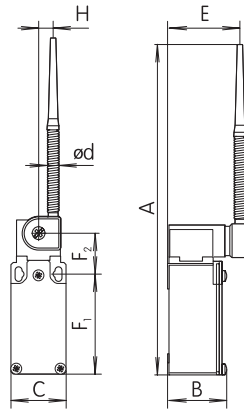
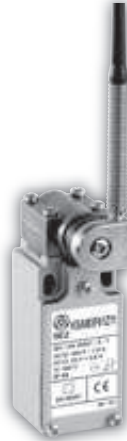


Type \ [mm]	A	B	C	ød	E	F <sub>1</sub>	F <sub>2</sub>
KSAM3F55-y	127,5÷186	32,5	30,3	50	51÷70	55	17,5



**Terminal switch with a flexible bar and a plastic extension KSAM3F61-y**

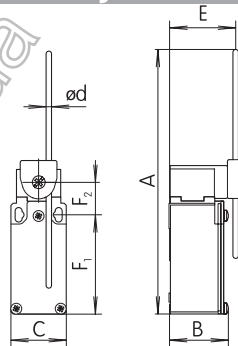
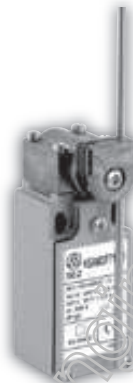
Connection	Work diagram	Type
13-14 / 21-22	Zb 0 17° 31° 74°	KSAM3F61-Z11
13-14 / 21-22	Zb 0 21° 74° 30°	KSAM3F61-X11
13-14 / 21-22	Zb 0 35° 74° 18°	KSAM3F61-Y11
11-12 / 21-22	Zb 0 19° 74°	KSAM3F61-W02
13-14 / 23-24	Zb 0 18° 74°	KSAM3F61-W20
11-12 / 21-22	Zb 0 17° 30° 74°	KSAM3F61-Z02



Type \ [mm]	A	B	C	ød	E	F <sub>1</sub>	F <sub>2</sub>	H
KSAM3F61-y	179	32,5	30,3	7	39,5	55	17,5	8

Connection	Work diagram	Type
13-14 / 21-22	Zb 0 17 31 47 74°	KSAM3F71-Z11
13-14 / 21-22	Zb 0 21 37 74° 30	KSAM3F71-X11
13-14 / 21-22	Zb 0 35 51 74° 18	KSAM3F71-Y11
11-12 / 21-22	Zb 0 19 37 74°	KSAM3F71-W02
13-14 / 23-24	Zb 0 18 74°	KSAM3F71-W20
11-12 / 21-22	Zb 0 17 30 46 74°	KSAM3F71-Z02

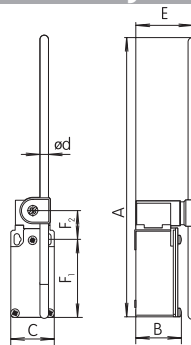
**Terminal switch controlled by a steel bar ø3 KSAM3F71-y**



Type \ [mm]	A	B	C	ød	E	F <sub>1</sub>	F <sub>2</sub>
KSAM3F71-y	max. 232,5	32,5	30,3	3	36	55	17,5

Connection	Work diagram	Type
13-14 / 21-22	Zb 0 17 31 47 74°	KSAM3F73-Z11
13-14 / 21-22	Zb 0 21 37 74° 30	KSAM3F73-X11
13-14 / 21-22	Zb 0 35 51 74° 18	KSAM3F73-Y11
11-12 / 21-22	Zb 0 19 37 74°	KSAM3F73-W02
13-14 / 23-24	Zb 0 18 74°	KSAM3F73-W20
11-12 / 21-22	Zb 0 17 30 46 74°	KSAM3F73-Z02

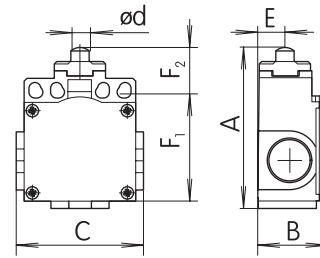
**Terminal switch with controlled by a plastic bar ø6 KSAM3F73-y**



Type \ [mm]	A	B	C	ød	E	F <sub>1</sub>	F <sub>2</sub>
KSAM3F73-y	max. 257,5	32,5	30,3	6	39,5	55	17,5

**Terminal switch with a pin KSDM3F11-y**

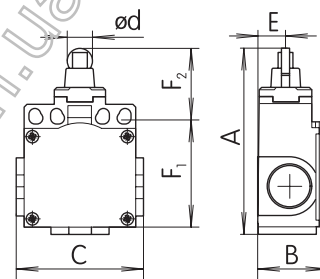
Connection	Work diagram	Type
		<b>KSDM3F11-Z11</b>
		<b>KSDM3F11-X11</b>
		<b>KSDM3F11-Y11</b>
		<b>KSDM3F11-W02</b>
		<b>KSDM3F11-W20</b>
		<b>KSDM3F11-Z02</b>



Type \ [mm]	A	B	C	ød	E	F <sub>1</sub>	F <sub>2</sub>
KSDM3F11-y	74,5	36	59	8	12,5	54,5	20

**Terminal switch with a pulley KSDM3F12-y**

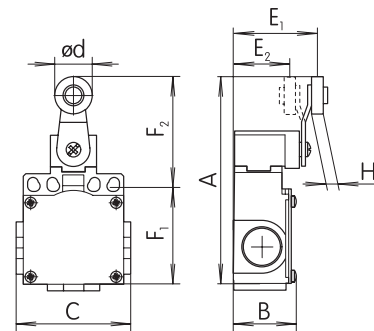
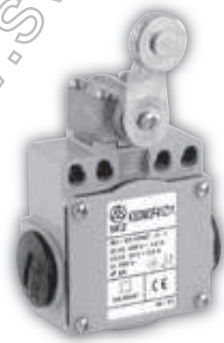
		<b>KSDM3F12-Z11</b>
		<b>KSDM3F12-X11</b>
		<b>KSDM3F12-Y11</b>
		<b>KSDM3F12-W02</b>
		<b>KSDM3F12-W20</b>
		<b>KSDM3F12-Z02</b>



Type \ [mm]	A	B	C	ød	E	F <sub>1</sub>	F <sub>2</sub>
KSDM3F12-y	88,5	36	59	11	12,5	54,5	31

**Terminal switch with a lever and a plastic pulley ø18 KSDM3F41-y**

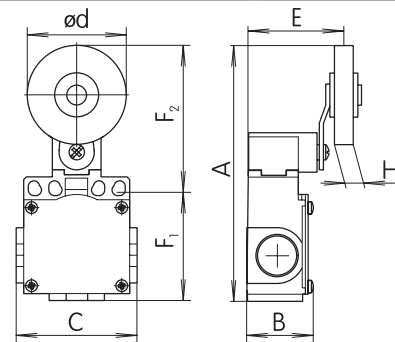
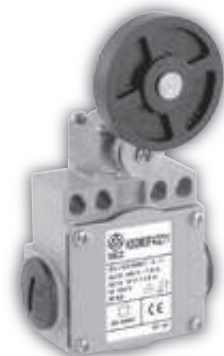
		<b>KSDM3F41-Z11</b>
		<b>KSDM3F41-X11</b>
		<b>KSDM3F41-Y11</b>
		<b>KSDM3F41-W02</b>
		<b>KSDM3F41-W20</b>
		<b>KSDM3F41-Z02</b>



Type \ [mm]	A	B	C	ød	E <sub>1</sub>	E <sub>2</sub>	F <sub>1</sub>	F <sub>2</sub>	H
KSDM3F41-y	107,5	36	59	18	40	25	54,5	53	5,5

**Terminal switch with a lever and a rubber pulley ø50 KSDM3F42-y**

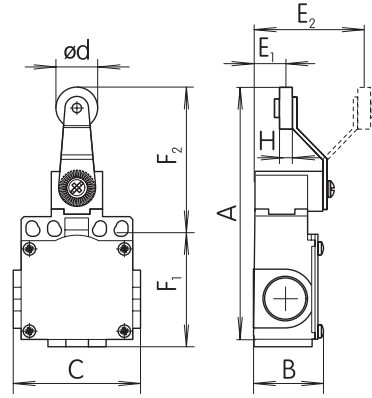
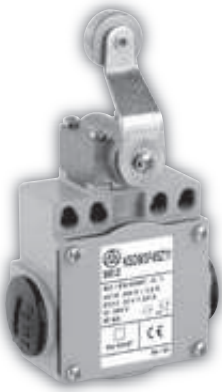
		<b>KSDM3F42-Z11</b>
		<b>KSDM3F42-X11</b>
		<b>KSDM3F42-Y11</b>
		<b>KSDM3F42-W02</b>
		<b>KSDM3F42-W20</b>
		<b>KSDM3F42-Z02</b>



Type \ [mm]	A	B	C	ød	E	F <sub>1</sub>	F <sub>2</sub>	H
KSDM3F42-y	123,5	36	59	50	43,5	54,5	69	9

**Terminal switch with a bent lever and a plastic pulley  $\varnothing 18$  KSDM3F45-y**

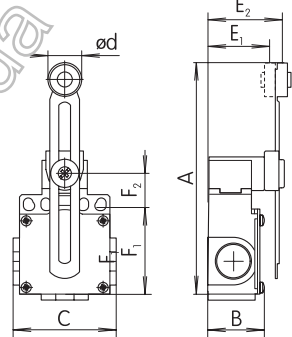
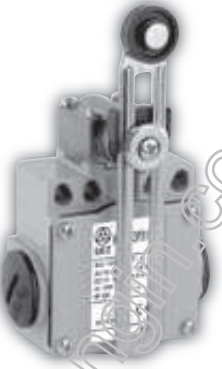
Connection	Work diagram	Type
13-14 / 21-22	Zb 0 17 31 47 74° 21-22 13-14	KSDM3F45 -Z11
13-14 / 21-22	Zb 0 21 37 74° 21-22 13-14 30	KSDM3F45 -X11
13-14 / 21-22	Zb 0 35 51 74° 21-22 13-14 18	KSDM3F45 -Y11
11-12 / 21-22	Zb 0 19 37 74° 11-12 21-22	KSDM3F45 -W02
13-14 / 23-24	Zb 0 18 74° 13-14 23-24	KSDM3F45 -W20
11-12 / 21-22	Zb 0 17 30 46 74° 11-12 21-22	KSDM3F45 -Z02



Type \ [mm]	A	B	C	ød	E <sub>1</sub>	E <sub>2</sub>	F <sub>1</sub>	F <sub>2</sub>	H
KSDM3F45-y	115,5	36	59	18	15,5	48,8	54,5	61	5,5

Connection	Work diagram	Type
13-14 / 21-22	Zb 0 17 31 47 74° 21-22 13-14	KSDM3F51 -Z11
13-14 / 21-22	Zb 0 21 37 74° 21-22 13-14 30	KSDM3F51 -X11
13-14 / 21-22	Zb 0 35 51 74° 21-22 13-14 18	KSDM3F51 -Y11
11-12 / 21-22	Zb 0 19 37 74° 11-12 21-22	KSDM3F51 -W02
13-14 / 23-24	Zb 0 18 74° 13-14 23-24	KSDM3F51 -W20
11-12 / 21-22	Zb 0 17 31 47 74° 11-12 21-22	KSDM3F51 -Z02

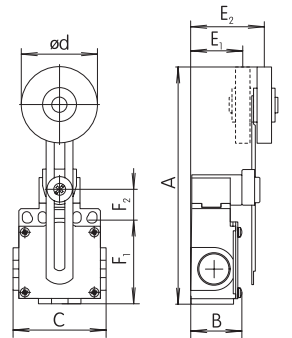
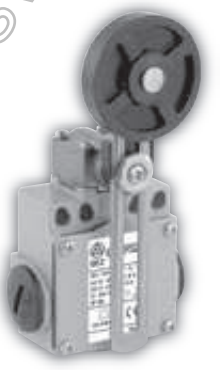
**Terminal switch with an adjustable lever and a plastic pulley  $\varnothing 18$  KSDM3F51-y**



Type \ [mm]	A	B	C	ød	E <sub>1</sub>	E <sub>2</sub>	F <sub>1</sub>	F <sub>2</sub>
KSDM3F51-y	100÷172	36	59	18	41	45,5	54,5	17,5

Connection	Work diagram	Type
13-14 / 21-22	Zb 0 17 31 47 74° 21-22 13-14	KSDM3F52 -Z11
13-14 / 21-22	Zb 0 21 37 74° 21-22 13-14 30	KSDM3F52 -X11
13-14 / 21-22	Zb 0 35 51 74° 21-22 13-14 18	KSDM3F52 -Y11
11-12 / 21-22	Zb 0 19 37 74° 11-12 21-22	KSDM3F52 -W02
13-14 / 23-24	Zb 0 18 74° 13-14 23-24	KSDM3F52 -W20
11-12 / 21-22	Zb 0 17 31 47 74° 11-12 21-22	KSDM3F52 -Z02

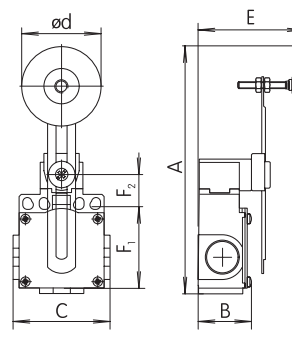
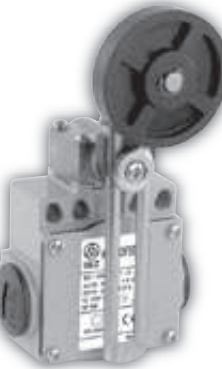
**Terminal switches with an adjustable lever and a rubber pulley  $\varnothing 50$  KSDM3F52-y**



Type \ [mm]	A	B	C	ød	E <sub>1</sub>	E <sub>2</sub>	F <sub>1</sub>	F <sub>2</sub>
KSDM3F52-y	127÷185,5	36	59	50	32,5	44,5	54,5	17,5

Connection	Work diagram	Type
13-14 / 21-22	Zb 0 17 31 47 74° 21-22 13-14	KSDM3F55 -Z11
13-14 / 21-22	Zb 0 21 37 74° 21-22 13-14 30	KSDM3F55 -X11
13-14 / 21-22	Zb 0 35 51 74° 21-22 13-14 18	KSDM3F55 -Y11
11-12 / 21-22	Zb 0 19 37 74° 11-12 21-22	KSDM3F55 -W02
13-14 / 23-24	Zb 0 18 74° 13-14 23-24	KSDM3F55 -W20
11-12 / 21-22	Zb 0 17 31 47 74° 11-12 21-22	KSDM3F55 -Z02

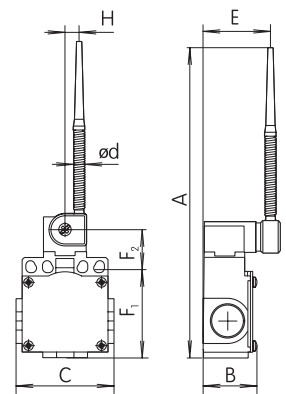
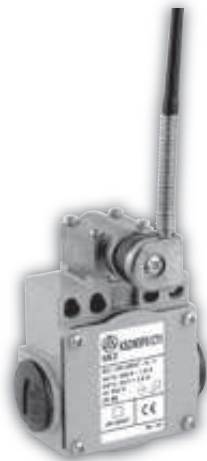
**Terminal switch with an adjustable lever and a rubber pulley  $\varnothing 50$  KSDM3F55-y**



Type \ [mm]	A	B	C	ød	E	F <sub>1</sub>	F <sub>2</sub>
KSDM3F55-y	127÷185,5	36	59	50	51÷70	54,5	17,5

**Terminal switch controlled by a flexible bar with plastic extension KSDM3F61-y**

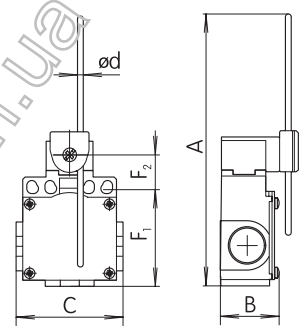
Connection	Work diagram	Type
13   21 14   22	Zb 0 17° 31° 74° 21-22 13-14	KSDM3F61 -Z11
13   21 14   22	Zb 0 21° 74° 21-22 13-14 30°	KSDM3F61 -X11
13   21 14   22	Zb 0 35° 74° 21-22 13-14 18°	KSDM3F61 -Y11
11   21 12   22	Zb 0 19° 74° 11-12 21-22	KSDM3F61 -W02
13   23 14   24	Zb 0 18° 74° 13-14 23-24	KSDM3F61 -W20
11   21 12   22	Zb 0 17° 30° 74° 11-12 21-22	KSDM3F61 -Z02



Type \ [mm]	A	B	C	ød	E	F <sub>1</sub>	F <sub>2</sub>
KSDM3F61-y	178,5	36	59	7	39,5	54,5	17,5

13   21 14   22	Zb 0 17 31 47 74° 21-22 13-14	KSDM3F71 -Z11
13   21 14   22	Zb 0 21 37 74° 21-22 13-14 30	KSDM3F71 -X11
13   21 14   22	Zb 0 35 51 74° 21-22 13-14 18	KSDM3F71 -Y11
11   21 12   22	Zb 0 19 37 74° 11-12 21-22	KSDM3F71 -W02
13   23 14   24	Zb 0 18 74° 13-14 23-24	KSDM3F71 -W20
11   21 12   22	Zb 0 17 31 47 74° 21-22 13-14	KSDM3F71 -Z02

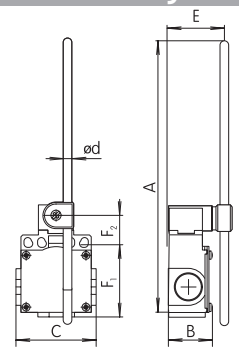
**Terminal switch controlled by a steel bar ø3 KSDM3F71-y**



Type \ [mm]	A	B	C	ød	F <sub>1</sub>	F <sub>2</sub>
KSDM3F71-y	max. 232	36	59	3	54,5	17,5

13   21 14   22	Zb 0 17 31 47 74° 21-22 13-14	KSDM3F73 -Z11
13   21 14   22	Zb 0 21 37 74° 21-22 13-14 30	KSDM3F73 -X11
13   21 14   22	Zb 0 35 51 74° 21-22 13-14 18	KSDM3F73 -Y11
11   21 12   22	Zb 0 19 37 74° 11-12 21-22	KSDM3F73 -W02
13   23 14   24	Zb 0 18 74° 13-14 23-24	KSDM3F73 -W20
11   21 12   22	Zb 0 17 31 47 74° 21-22 13-14	KSDM3F73 -Z02

**Terminal switch controlled by a plastic bar ø6 KSDM3F73-y**

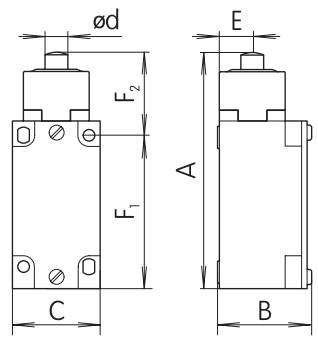


Type \ [mm]	A	B	C	ød	E	F <sub>1</sub>	F <sub>2</sub>
KSDM3F73-y	max. 257	36	59	6	39,5	54,5	17,5



**Terminal switch with a pin KSBM5E11-y**

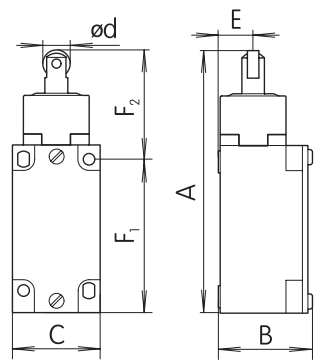
Connection	Work diagram	Type
13-14 / 21-22	Zb 0 1.8 3.0 4.6 6.0 mm	KSBM5E11 -Z11
13-14 / 21-22	Zb 0 2.1 3.7 6.0 mm	KSBM5E11 -X11
13-14 / 21-22	Zb 0 3.4 5.0 6.0 mm	KSBM5E11 -Y11
11-12 / 21-22	Zb 0 2.0 3.6 6.0 mm	KSBM5E11 -W02
13-14 / 23-24	Zb 0 1.9 6.0 mm	KSBM5E11 -W20
11-12 / 21-22	Zb 0 1.8 2.9 4.5 6.0 mm	KSBM5E11 -Z02
13-14 / 21-22 / 31-32	Zb 0 2.0 3.5 6.0 mm	KSBM5E11 -X12
13-14 / 23-24 / 31-32	Zb 0 2.1 3.6 6.0 mm	KSBM5E11 -X21
11-12 / 21-22 / 31-32	Zb 0 2.0 3.5 6.0 mm	KSBM5E11 -W03
13-14 / 23-24 / 33-34	Zb 0 2.3 6.0 mm	KSBM5E11 -W30



Type \ [mm]	A	B	C	ød	E	F <sub>1</sub>	F <sub>2</sub>
KSBM5E11-y	107	43	40	10	16	70	37

**Terminal switch with a pulley KSBM5E13-y**

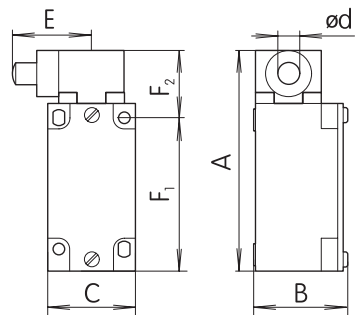
13-14 / 21-22	Zb 0 3.1 5.3 8.2 10.5 mm	KSBM5E13 -Z11
13-14 / 21-22	Zb 0 4.0 6.9 10.5 mm	KSBM5E13 -X11
13-14 / 21-22	Zb 0 6.0 8.9 10.5 mm	KSBM5E13 -Y11
11-12 / 21-22	Zb 0 3.7 6.6 10.5 mm	KSBM5E13 -W02
13-14 / 23-24	Zb 0 3.5 10.5 mm	KSBM5E13 -W20
11-12 / 21-22	Zb 0 3.1 5.1 8.0 10.5 mm	KSBM5E13 -Z02
13-14 / 21-22 / 31-32	Zb 0 3.8 6.3 10.5 mm	KSBM5E13 -X12
13-14 / 23-24 / 31-32	Zb 0 3.9 6.4 10.5 mm	KSBM5E13 -X21
11-12 / 21-22 / 31-32	Zb 0 3.8 6.3 10.5 mm	KSBM5E13 -W03
13-14 / 23-24 / 33-34	Zb 0 4.3 10.5 mm	KSBM5E13 -W30



Type \ [mm]	A	B	C	ød	E	F <sub>1</sub>	F <sub>2</sub>
KSBM5E13-y	120	43	40	12	16	70	50

**Terminal switch with a lateral pin KSBM5E21-y**

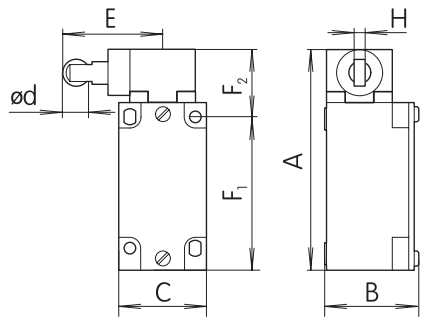
13-14 / 21-22	Zb 0 2.0 3.2 4.8 6.0 mm	KSBM5E21 -Z11
13-14 / 21-22	Zb 0 2.3 3.9 6.0 mm	KSBM5E21 -X11
13-14 / 21-22	Zb 0 3.6 5.2 6.0 mm	KSBM5E21 -Y11
11-12 / 21-22	Zb 0 2.2 3.8 6.0 mm	KSBM5E21 -W02
13-14 / 23-24	Zb 0 2.1 6.0 mm	KSBM5E21 -W20
11-12 / 21-22	Zb 0 2.0 3.1 4.7 6.0 mm	KSBM5E21 -Z02
13-14 / 21-22 / 31-32	Zb 0 1.4 2.9 6.0 mm	KSBM5E21 -X12
13-14 / 23-24 / 31-32	Zb 0 1.5 3.0 6.0 mm	KSBM5E21 -X21
11-12 / 21-22 / 31-32	Zb 0 1.4 2.9 6.0 mm	KSBM5E21 -W03
13-14 / 23-24 / 33-34	Zb 0 1.9 6.0 mm	KSBM5E21 -W30



Type \ [mm]	A	B	C	ød	E	F <sub>1</sub>	F <sub>2</sub>
KSBM5E21-y	100,5	43	40	10	36	70	30,5

**Terminal switch with a vertical lateral pulley KSBM5E22-y**

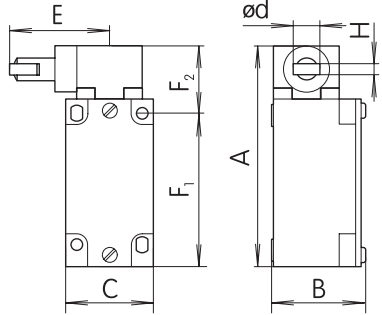
Connection	Work diagram	Type
13-14 / 21-22	Zb 0 3.7 5.9 8.8 10.2 mm	KSBM5E22 -Z11
13-14 / 21-22	Zb 0 4.6 7.5 10.2 mm	KSBM5E22 -X11
13-14 / 21-22	Zb 0 6.6 9.5 10.2 mm	KSBM5E22 -Y11
11-12 / 21-22	Zb 0 4.3 7.2 10.2 mm	KSBM5E22 -W02
13-14 / 23-24	Zb 0 4.1 10.2 mm	KSBM5E22 -W20
11-12 / 21-22	Zb 0 3.7 5.7 8.6 10.2 mm	KSBM5E22 -Z02
13-14 / 21-22 / 31-32	Zb 0 3.5 6.1 10.2 mm	KSBM5E22 -X12
13-14 / 23-24 / 31-32	Zb 0 3.6 6.2 10.2 mm	KSBM5E22 -X21
11-12 / 21-22 / 31-32	Zb 0 3.5 6.1 10.2 mm	KSBM5E22 -W03
13-14 / 23-24 / 33-34	Zb 0 4.0 10.2 mm	KSBM5E22 -W30



Type \ [mm]	A	B	C	ød	E	F <sub>1</sub>	F <sub>2</sub>
KSBM5E22-y	100,5	43	40	12	47,3	70	30,5

**Terminal switch with a horizontal lateral pulley KSBM5E23-y**

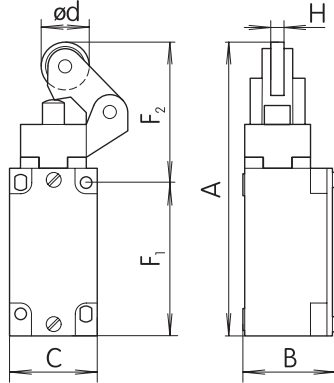
13-14 / 21-22	Zb 0 3.7 5.9 8.8 10.2 mm	KSBM5E23 -Z11
13-14 / 21-22	Zb 0 4.6 7.5 10.2 mm	KSBM5E23 -X11
13-14 / 21-22	Zb 0 6.6 9.5 10.2 mm	KSBM5E23 -Y11
11-12 / 21-22	Zb 0 4.3 7.2 10.2 mm	KSBM5E23 -W02
13-14 / 23-24	Zb 0 4.1 10.2 mm	KSBM5E23 -W20
11-12 / 21-22	Zb 0 3.7 5.7 8.6 10.2 mm	KSBM5E23 -Z02
13-14 / 21-22 / 31-32	Zb 0 3.5 6.1 10.2 mm	KSBM5E23 -X12
13-14 / 23-24 / 31-32	Zb 0 3.6 6.2 10.2 mm	KSBM5E23 -X21
11-12 / 21-22 / 31-32	Zb 0 3.5 6.1 10.2 mm	KSBM5E23 -W03
13-14 / 23-24 / 33-34	Zb 0 4.0 10.2 mm	KSBM5E23 -W30



Type \ [mm]	A	B	C	ød	E	F <sub>1</sub>	F <sub>2</sub>
KSBM5E23-y	100,5	43	40	12	47,3	70	30,5

**Terminal switch with a lever and a plastic pulley ø22 KSBM5E31-y**

13-14 / 21-22	Zb 0 3.1 6.3 10.8 15.5 mm	KSBM5E31 -Z11
13-14 / 21-22	Zb 0 4.5 9.0 15.5 mm	KSBM5E31 -X11
13-14 / 21-22	Zb 0 7.2 11.7 15.5 mm	KSBM5E31 -Y11
11-12 / 21-22	Zb 0 4.0 9.5 15.5 mm	KSBM5E31 -W02
13-14 / 23-24	Zb 0 3.6 15.5 mm	KSBM5E31 -W20
11-12 / 21-22	Zb 0 3.1 6.1 10.6 15.5 mm	KSBM5E31 -Z02
13-14 / 21-22 / 31-32	Zb 0 4.6 8.4 15.5 mm	KSBM5E31 -X12
13-14 / 23-24 / 31-32	Zb 0 4.7 8.5 15.5 mm	KSBM5E31 -X21
11-12 / 21-22 / 31-32	Zb 0 4.6 8.4 15.5 mm	KSBM5E31 -W03
13-14 / 23-24 / 33-34	Zb 0 4.9 15.5 mm	KSBM5E31 -W30

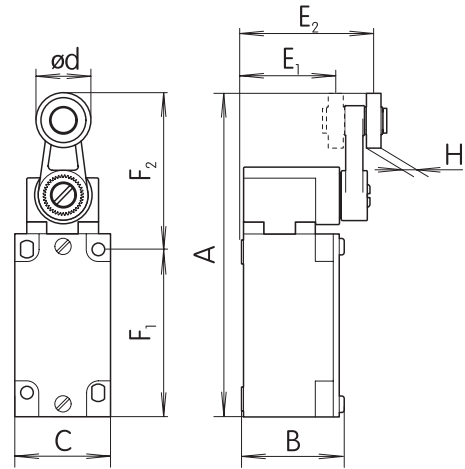


Type \ [mm]	A	B	C	ød	E	F <sub>1</sub>	F <sub>2</sub>
KSBM5E31-y	134	43	40	22	16	70	64

Connection	Work diagram	Type
13-21, 14-22	Zb 0 20° 33° 49° 78°	KSBM5E4x-Z11
13-21, 14-22	Zb 0 22° 38° 78°	KSBM5E4x-X11
13-21, 14-22	Zb 0 37° 53° 78°	KSBM5E4x-Y11
11-12, 12-22	Zb 0 21° 37° 78°	KSBM5E4x-W02
13-14, 14-24	Zb 0 20° 78°	KSBM5E4x-W20
11-12, 12-22	Zb 0 20° 32° 48° 78°	KSBM5E4x-Z02
13-14, 14-24, 23-34	Zb 0 18° 35° 78°	KSBM5E4x-X12
13-14, 14-24, 23-34	Zb 0 19° 36° 78°	KSBM5E4x-X21
11-12, 12-22, 31-32	Zb 0 18° 35° 78°	KSBM5E4x-W03
13-14, 14-24, 23-34	Zb 0 23° 78°	KSBM5E4x-W30

### Terminal switch with a lever and a pulley ø22 KSBM5E4x-y

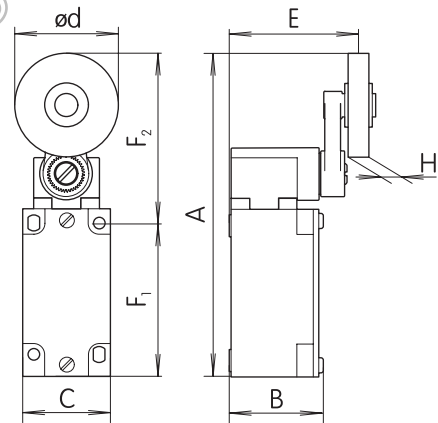
H41 plastic pulley  
H42 steel pulley



Type \ [mm]	A	B	C	ød	E <sub>1</sub>	E <sub>2</sub>	F <sub>1</sub>	F <sub>2</sub>
KSBM5E4x-y	133	43	40	22	41	56	70	63

### Terminal switch with a lever and rubber pulley ø50 KSBM5E44-y

13-21, 14-22	Zb 0 20° 33° 49° 78°	KSBM5E44-Z11
13-21, 14-22	Zb 0 22° 38° 78°	KSBM5E44-X11
13-21, 14-22	Zb 0 37° 53° 78°	KSBM5E44-Y11
11-12, 12-22	Zb 0 21° 37° 78°	KSBM5E44-W02
13-14, 14-24	Zb 0 20° 78°	KSBM5E44-W20
11-12, 12-22	Zb 0 20° 32° 48° 78°	KSBM5E44-Z02
13-14, 14-24, 23-34	Zb 0 18° 35° 78°	KSBM5E44-X12
13-14, 14-24, 23-34	Zb 0 19° 36° 78°	KSBM5E44-X21
11-12, 12-22, 31-32	Zb 0 18° 35° 78°	KSBM5E44-W03
13-14, 14-24, 23-34	Zb 0 23° 78°	KSBM5E44-W30

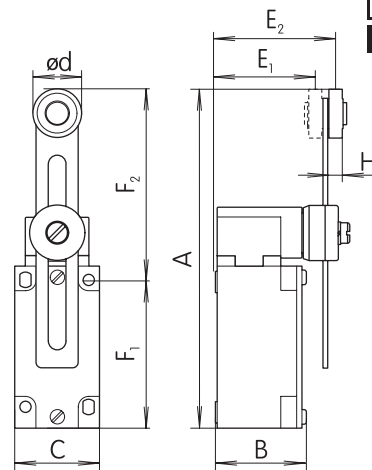


Type \ [mm]	A	B	C	ød	E	F <sub>1</sub>	F <sub>2</sub>	H
KSBM5E44-y	147	43	40	50	58,5	70	77	9

### Terminal switch with an adjustable lever and a pulley ø22 KSBM5E5x-y

13-21, 14-22	Zb 0 20° 33° 49° 78°	KSBM5E5x-Z11
13-21, 14-22	Zb 0 22° 38° 78°	KSBM5E5x-X11
13-21, 14-22	Zb 0 37° 53° 78°	KSBM5E5x-Y11
11-12, 12-22	Zb 0 21° 37° 78°	KSBM5E5x-W02
13-14, 14-24	Zb 0 20° 78°	KSBM5E5x-W20
11-12, 12-22	Zb 0 20° 32° 48° 78°	KSBM5E5x-Z02
13-14, 14-24, 23-34	Zb 0 18° 35° 78°	KSBM5E5x-X12
13-14, 14-24, 23-34	Zb 0 19° 36° 78°	KSBM5E5x-X21
11-12, 12-22, 31-32	Zb 0 18° 35° 78°	KSBM5E5x-W03
13-14, 14-24, 23-34	Zb 0 23° 78°	KSBM5E5x-W30

H51 plastic pulley  
H52 steel pulley

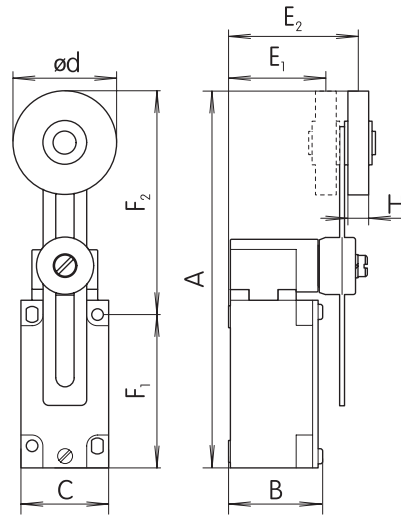
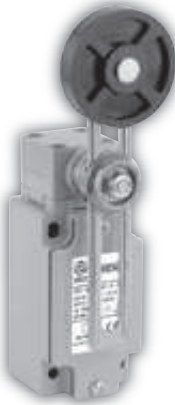


Type \ [mm]	A	B	C	ød	E <sub>1</sub>	E <sub>2</sub>	F <sub>1</sub>	F <sub>2</sub>
KSBM5E5x-y	138÷194	43	40	22	45	53	70	22

Connection	Work diagram	Type
------------	--------------	------

### Terminal switch with an adjustable lever and a rubber pulley $\varnothing 50$ KSBM5E54-y

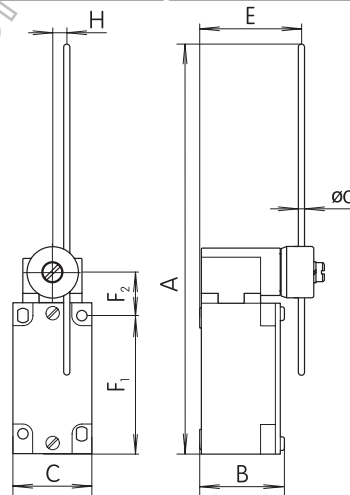
13-14 / 21-22	Zb	0 20° 33° 49° 78°	KSBM5E54 -Z11
13-14 / 21-22	Zb	0 22° 38° 78°	KSBM5E54 -X11
13-14 / 21-22	Zb	0 37° 53° 78°	KSBM5E54 -Y11
11-12 / 21-22	Zb	0 21° 37° 78°	KSBM5E54 -W02
13-14 / 23-24	Zb	0 20° 78°	KSBM5E54 -W20
11-12 / 21-22	Zb	0 20° 32° 48° 78°	KSBM5E54 -Z02
13-14 / 21-22	Zb	0 18° 35° 78°	KSBM5E54 -X12
13-14 / 23-24	Zb	0 19° 36° 78°	KSBM5E54 -X21
11-12 / 21-22	Zb	0 18° 35° 78°	KSBM5E54 -W03
13-14 / 23-24	Zb	0 23° 78°	KSBM5E54 -W30



Type \ [mm]	A	B	C	ød	E <sub>1</sub>	E <sub>2</sub>	F <sub>1</sub>	F <sub>2</sub>	H
KSBM5E54-y	152±208	43	40	50	43	55	70	22	9

13-14 / 21-22	Zb	0 20° 33° 49° 78°	KSBM5E71 -Z11
13-14 / 21-22	Zb	0 22° 38° 78°	KSBM5E71 -X11
13-14 / 21-22	Zb	0 37° 53° 78°	KSBM5E71 -Y11
11-12 / 21-22	Zb	0 21° 37° 78°	KSBM5E71 -W02
13-14 / 23-24	Zb	0 20° 78°	KSBM5E71 -W20
11-12 / 21-22	Zb	0 20° 32° 48° 78°	KSBM5E71 -Z02
13-14 / 21-22	Zb	0 18° 35° 78°	KSBM5E71 -X12
13-14 / 23-24	Zb	0 19° 36° 78°	KSBM5E71 -X21
11-12 / 21-22	Zb	0 18° 35° 78°	KSBM5E71 -W03
13-14 / 23-24	Zb	0 23° 78°	KSBM5E71 -W30

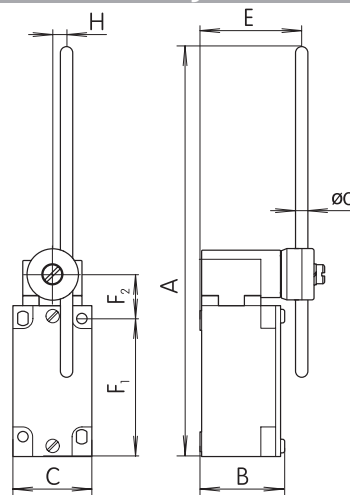
### Terminal switch controlled by a steel bar $\varnothing 3$ KSBM5E71-y



Type \ [mm]	A	B	C	ød	E	F <sub>1</sub>	F <sub>2</sub>	H
KSBM5E71-y	max. 277	43	40	3	48,5	70	22	7

13-14 / 21-22	Zb	0 20° 33° 49° 78°	KSBM5E72 -Z11
13-14 / 21-22	Zb	0 22° 38° 78°	KSBM5E72 -X11
13-14 / 21-22	Zb	0 37° 53° 78°	KSBM5E72 -Y11
11-12 / 21-22	Zb	0 21° 37° 78°	KSBM5E72 -W02
13-14 / 23-24	Zb	0 20° 78°	KSBM5E72 -W20
11-12 / 21-22	Zb	0 20° 32° 48° 78°	KSBM5E72 -Z02
13-14 / 21-22	Zb	0 18° 35° 78°	KSBM5E72 -X12
13-14 / 23-24	Zb	0 19° 36° 78°	KSBM5E72 -X21
11-12 / 21-22	Zb	0 18° 35° 78°	KSBM5E72 -W03
13-14 / 23-24	Zb	0 23° 78°	KSBM5E72 -W30

### Terminal switch controlled by a plastic bar $\varnothing 6$ KSBM5E72-y

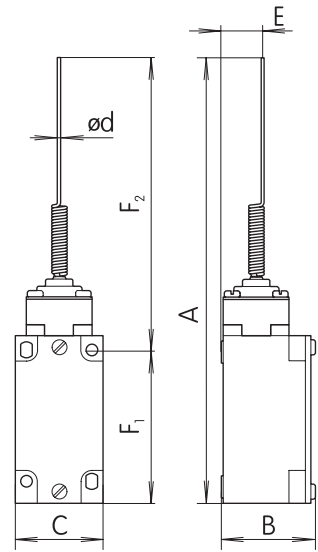
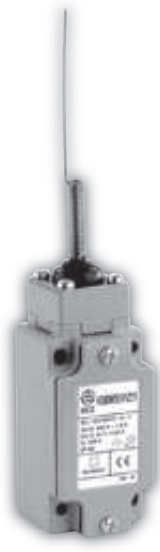


Type \ [mm]	A	B	C	ød	E	F <sub>1</sub>	F <sub>2</sub>	H
KSBM5E72-y	max. 277	43	40	6	48,5	70	22	7



**Terminal switch controlled by a spring with wire ending KSBM5E91-y**

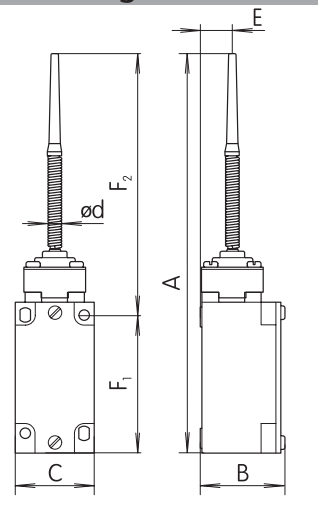
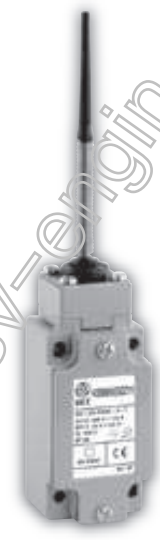
Connection	Work diagram	Type
13-14 / 21-22	Zb 0 9° 21°	KSBM5E91 -Z11
13-14 / 21-22	Zb 0 12°	KSBM5E91 -X11
13-14 / 21-22	Zb 0 23°	KSBM5E91 -Y11
11-12 / 21-22	Zb 0 11°	KSBM5E91 -W02
13-14 / 23-24	Zb 0 10°	KSBM5E91 -W20
11-12 / 21-22	Zb 0 9° 20°	KSBM5E91 -Z02
13-14 / 21-22 / 31-32	Zb 0 12°	KSBM5E91 -X12
13-14 / 23-24 / 31-32	Zb 0 13°	KSBM5E91 -X21
11-12 / 21-22 / 31-32	Zb 0 12°	KSBM5E91 -W03
13-14 / 23-24 / 33-34	Zb 0 16°	KSBM5E91 -W30



Type \ [mm]	A	B	C	ød	E	F <sub>1</sub>	F <sub>2</sub>
KSBM5E91-y	200	43	40	1,3	16	70	130

**Terminal switch controlled by a spring with plastic ending KSBM5E92-y**

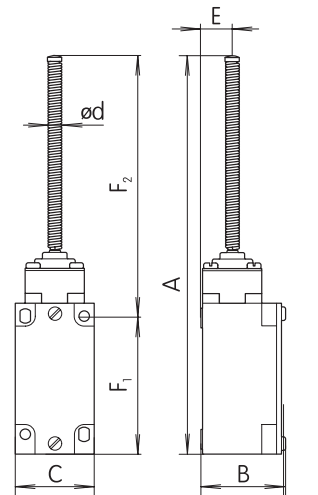
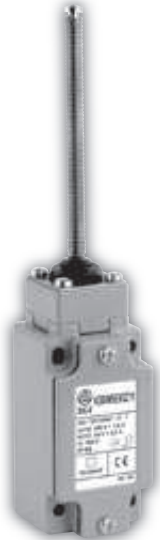
Connection	Work diagram	Type
13-14 / 21-22	Zb 0 9° 21°	KSBM5E92 -Z11
13-14 / 21-22	Zb 0 12°	KSBM5E92 -X11
13-14 / 21-22	Zb 0 23°	KSBM5E92 -Y11
11-12 / 21-22	Zb 0 11°	KSBM5E92 -W02
13-14 / 23-24	Zb 0 10°	KSBM5E92 -W20
11-12 / 21-22	Zb 0 9° 20°	KSBM5E92 -Z02
13-14 / 21-22 / 31-32	Zb 0 12°	KSBM5E92 -X12
13-14 / 23-24 / 31-32	Zb 0 13°	KSBM5E92 -X21
11-12 / 21-22 / 31-32	Zb 0 12°	KSBM5E92 -W03
13-14 / 23-24 / 33-34	Zb 0 16°	KSBM5E92 -W30



Type \ [mm]	A	B	C	ød	E	F <sub>1</sub>	F <sub>2</sub>
KSBM5E92-y	200	43	40	7	16	70	130

**Terminal switch controlled by a spring KSBM5E93-y**

Connection	Work diagram	Type
13-14 / 21-22	Zb 0 9° 21°	KSBM5E93 -Z11
13-14 / 21-22	Zb 0 12°	KSBM5E93 -X11
13-14 / 21-22	Zb 0 23°	KSBM5E93 -Y11
11-12 / 21-22	Zb 0 11°	KSBM5E93 -W02
13-14 / 23-24	Zb 0 10°	KSBM5E93 -W20
11-12 / 21-22	Zb 0 9° 20°	KSBM5E93 -Z02
13-14 / 21-22 / 31-32	Zb 0 12°	KSBM5E93 -X12
13-14 / 23-24 / 31-32	Zb 0 13°	KSBM5E93 -X21
11-12 / 21-22 / 31-32	Zb 0 12°	KSBM5E93 -W03
13-14 / 23-24 / 33-34	Zb 0 16°	KSBM5E93 -W30



Type \ [mm]	A	B	C	ød	E	F <sub>1</sub>	F <sub>2</sub>
KSBM5E93-y	200	43	40	7	16	70	130

## Safety terminal switch KSSP3Kx-y



- plastic body;
- IP 65;
- heads:
  - K20** – head adjustable by 90°
  - K120** – fully adjustable head
  - K72** – with a lateral steel pin
  - K61** – with a galvanized bent lever
  - K96** – controlled by pulling without the reset option
  - K98** – controlled by pulling with the reset option.

KSSP3Kx-y switches are supplied without a cable gland.

Connection	Type	KSSP3K20-y	Connection	Type	KSSP3K120-y
	KSSP3K20-Z11			KSSP3K120-Z11	
	KSSP3K20-Z02			KSSP3K120-Z02	
	KSSP3K20-X11			KSSP3K120-X11	
	KSSP3K20-Y11			KSSP3K120-Y11	
	KSSP3K20-W02			KSSP3K120-W02	
		supplied with a no. 15 key			supplied with a no. 15 key
Connection	Type	KSSP3K72-y	Connection	Type	KSSP3K61-y
	KSSP3K72-Z11			KSSP3K61-Z11	
	KSSP3K72-Z02			KSSP3K61-Z02	
	KSSP3K72-X11			KSSP3K61-X11	
	KSSP3K72-Y11			KSSP3K61-Y11	
	KSSP3K72-W02			KSSP3K61-W02	
Connection	Type	KSSP3K96-y	Connection	Type	KSSP3K98-y
	KSSP3K96-Z11			KSSP3K98-Z11	
	KSSP3K96-Z02			KSSP3K98-Z02	
	KSSP3K96-X11			KSSP3K98-X11	
	KSSP3K96-Y11			KSSP3K98-Y11	
	KSSP3K96-W02			KSSP3K98-W02	

## Keys for safety switches KSSP3K20-y and KSSP3K120-y



Angular key

Key 13



Flat key

Key



Narrow angular key

Key 15



Narrow flat key

Key 16



Sprung angular key

Key 17



Sprung flat key

Key 18



Adjustable key

Key 19

### Safety terminal switch with the reset option KSAP3Rx-y

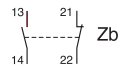


- plastic body;
- IP 65;
- heads:

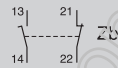
- R11 – resettable steel pin
- R13 – resettable steel pin with a plastic pulley
- R31 – resettable steel pin with a plastic pulley
- R32 – resettable steel pin with a plastic pulley
- R41 – resettable lever with a plastic pulley

KSAP3Rx-y switches are supplied with the Pg 11 cable gland.

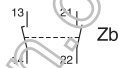
Zapojenie	Typ
-----------	-----



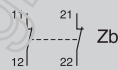
KSAP3R11-Z11



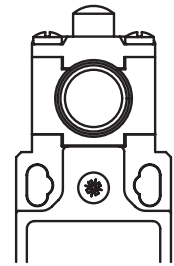
KSAP3R11-Z02



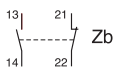
KSAP3R11-X11



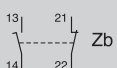
KSAP3R11-W02



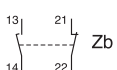
Connection	Type	KSAP3R13-y	Connection	Type	KSAP3R31-y
------------	------	------------	------------	------	------------



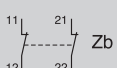
KSAP3R13-Z11



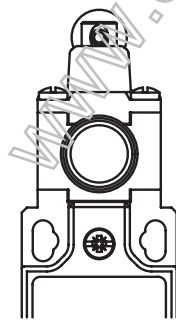
KSAP3R13-Z02



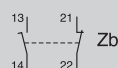
KSAP3R13-X11



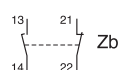
KSAP3R13-W02



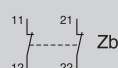
KSAP3R31-Z11



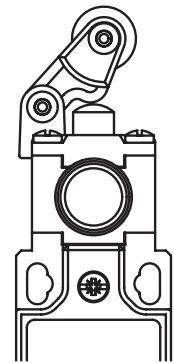
KSAP3R31-Z02



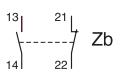
KSAP3R31-X11



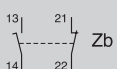
KSAP3R31-W02



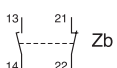
Connection	Type	KSAP3R32-y	Connection	Type	KSAP3R41-y
------------	------	------------	------------	------	------------



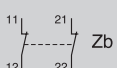
KSAP3R32-Z11



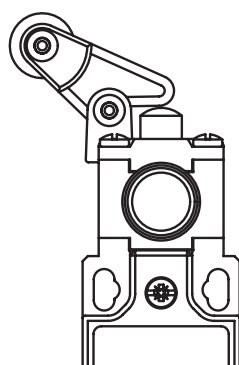
KSAP3R32-Z02



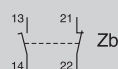
KSAP3R32-X11



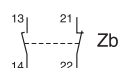
KSAP3R32-W02



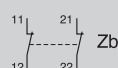
KSAP3R41-Z11



KSAP3R41-Z02



KSAP3R41-X11



KSAP3R41-W02

