



English

Deutsch

Čeština

Eesti keel

Hrvatski

Bosanski

Latviešu valoda

Lietuvių kalba

Magyar

HH 2010

HH 3010

CERAMIC HEATER WITH FAN INSTRUCTION MANUAL

This product is only suitable for well insulated spaces or occasional use.

KERAMISCHE HEIZUNG MIT VENTILATOR BEDIENUNGSANLEITUNG

Dieses Produkt ist nur für gut isolierte Räume oder für den gelegentlichen Gebrauch geeignet.

KERAMICKÉ TOPENÍ S VENTILÁTOREM NÁVOD K OBSLUZE

Tento výrobek je vhodný pouze pro dobře izolované prostory nebo občasně používání.

VENTILAATORIGA KERAAMILINE KÜTTESEADE KASUTUSJUHEND

See toode sobib kasutamiseks üksnes hästi isoleeritud kohtades ja üksikjuhtudel.

KERAMIČKI GRIJAČ S VENTILATOROM UPUTE ZA UPORABU

Ovaj je proizvod prikladan samo za dobro izolirane prostore ili povremenu uporabu.

KERAMISKAIS SILDĪTĀJS AR VENTILATORU ROKASGRĀMATA

Šis ražojums ir derīgs tikai izmantošanai telpās ar labu izolāciju vai neregulāri izmantošanai.

KERAMINIS ŠILDYTUVAS SU VENTILIATORIUMI INSTRUKCIJŲ VADOVAS

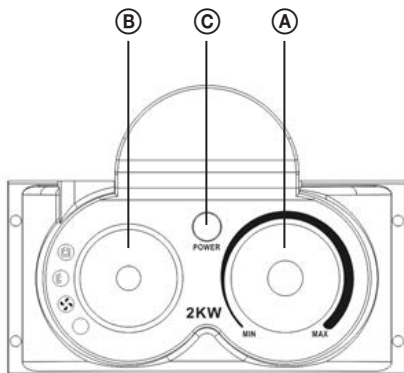
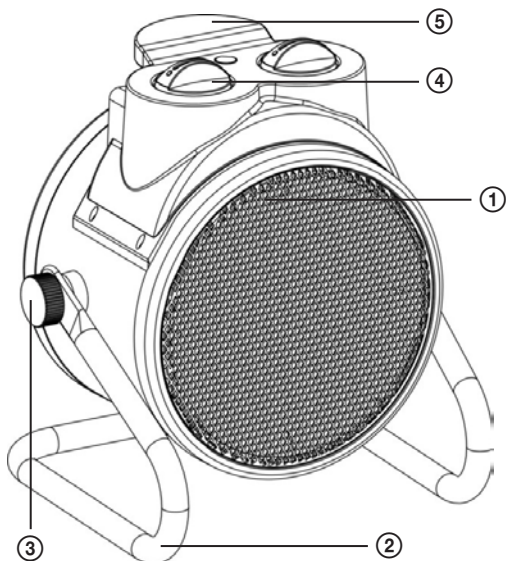
Šis gaminis tinkamas naudoti tik gerai izoliuotose patalpose arba tik retkarčiais.

KERÁMIA HŐSUGÁRZÓ, VENTILÁTORRAL HASZNÁLATI ÚTMUTATÓ

A termék kizárólag jól szigetelt helyiségek fűtésére vagy alkalmankénti használatra alkalmas!

■ Always read the safety/use instructions carefully before using your appliance for the first time. The user's manual must be always included. ■ Bitte lesen Sie vor der Inbetriebnahme des Produktes diese Anleitung und die darin enthaltenen Sicherheitshinweise aufmerksam durch. Die Bedienungsanleitung muss dem Gerät immer beigelegt sein. ■ Před uvedením výrobku do provozu si důkladně pročtěte tento návod a bezpečnostní pokyny, které jsou v tomto návodu obsaženy. Návod musí být vždy přiložen k přístroji. ■ Erne seadme esmakordset kasutamist lugege ohutus- ja kasutusjuhised alati hoolikalt läbi. Kasutusjuhend peab alati kaasas olema. ■ Uvijek pročítajte sigurnosne upute i upute za uporabu prije prvog korištenja vašeg uređaja. Upute moraju uvijek biti priložene. ■ Pirms ierīces pirmās lietošanas reizes vienmēr rūpīgi izlasiet drošības un lietošanas norādījumus. Rokasgrāmata vienmēr jāpievieno ierīcei. ■ Pirms naudodamiesi prietaisu pirmąjį kartą, visuomet atidžiai perskaitykite saugos ir naudojimo instrukcijas. Kartu su gaminiu visada privalo būti jo naudotojo vadovas. ■ A termék használatba vétele előtt figyelmesen olvassa el ezt a használati útmutatót és az útmutatóban található biztonsági rendelkezéseket. A használati útmutatót tartsa a készülék közelében.

DESCRIPTION / BESCHREIBUNG / POPIS / KIRJELDUS / OPIS / APRAKSTS / APRAŠYMAS / A KÉSZÜLÉK RÉSZEI



English

1. Body with ceramic heating element and fan
 2. Base
 3. Screw for angle adjustment
 4. Control panel
 5. Handle
- A. Temperature control
 - B. Main switch + function selector
 - – off position
 - ☹ – fan function without heating (cooling)
 - ◐ – half power
 - ☺ – high power
 - C. POWER indicator

Deutsch

1. Körper mit keramischen Heizkörper und Ventilator
 2. Ständer
 3. Schraube zum Einstellen des Winkels
 4. Bedienfeld
 5. Griff
- A. Thermostatregler
 - B. Hauptschalter + Funktionswähler
 - – Position AUS
 - ☹ – Funktion des Ventilators ohne Heizen (Kühlen)
 - ◐ – halbe Leistung

- ☺ – hohe Leistung
- C. Betriebsanzeige (POWER)

Čeština

1. Tělo s keramickým topným tělesem a ventilátorem
 2. Podstavec
 3. Šroub pro nastavení úhlu
 4. Ovládací panel
 5. Madlo
- A. Ovladač termostatu
 - B. Hlavní vypínač + volič funkcí
 - – poloha vypnuto
 - ☹ – funkce ventilátoru bez topení (chlazení)
 - ◐ – poloviční výkon
 - ☺ – vysoký výkon
 - C. Kontrolka zapnutí (POWER)

Eesti keel

1. Keraamilise kuumutuselemendiga ja ventilaatoriga korpus
 2. Alus
 3. Nurga reguleerimiskruvi
 4. Juhtpaneel
 5. Käepide
- A. Temperatuuri reguleerimisnupp
 - B. Pealüliti + funktsiooni valija
 - – väljalülitatud asend

- ☹ – ventilaatori töötamine ilma kuumutusega (jahutamine)
- ◐ – pool võimsusest
- ☺ – täisvõimsus

- C. TOITE näidik

Hrvatski/Bosanski

1. Tijelo s keramičkim grijačem i ventilatorom
 2. Postolje
 3. Vijak za podešavanje kuta
 4. Upravljačka ploča
 5. Ručka
- A. Kontrola termostata
 - B. Glavni prekidač + birać funkcija
 - – položaj isključeno
 - ☹ – funkcija ventilatora bez grijanja (hlađenje)
 - ◐ – polovični učinak
 - ☺ – visoki učinak
 - C. Indikator napajanja (POWER)

Latviešu valoda

1. Korpus ar keramikas karstumelementu un ventilatoru
 2. Pamatne
 3. Skrūve leņķa regulēšanai
 4. Vadības panelis
 5. Rokturis
- A. Temperatūras vadība

- B. Galvenais slēdzis + funkciju pārslēgs
- izslēgta pozīcija
 - ventilatora funkcija bez sildīšanas (dzesēšanas)
 - pusjauda
 - liela jauda
- C. JAUDAS indikators

Lietuvių kalba

1. Korpusas su keraminiu kaitinimo elementu ir ventiliatoriumi
 2. Pagrindas
 3. Kampo suregulavimo varžtas
 4. Valdymo skydelis
 5. Rankena
- A. Temperatūros valdiklis
- B. Pagrindinis jungiklis + funkcijos parinkiklis
- padėtis „išjungta“
 - ventiliatoriaus funkcija be šildymo (aušinimas)
 - pusė galingumo
 - aukštas galingumas
- C. POWER indikatorius

Magyar

1. Ház, kerámia fűtőtesttel és ventilátorral
 2. Talp
 3. Csavar a dőlésszög beállításához
 4. Működtető panel
 5. Fogantyú
- A. Termosztát kapcsoló
- B. Főkapcsoló + funkció választó
- kikapcsolt állapot
 - ventilátor funkció, fűtés nélkül (hűtés)
 - fél teljesítmény
 - nagy teljesítmény
- C. Bekapcsolás kijelző

SAFETY INSTRUCTIONS

Read carefully and save for future use!

Warning: The safety measures and instructions, contained in this manual, do not include all conditions and situations possible. The user must understand that common sense, caution and care are factors that cannot be integrated into any product. Therefore, these factors shall be ensured by the user/s using and operating this appliance. We are not liable for damages caused during shipping, by incorrect use, voltage fluctuation or the modification or adjustment of any part of the appliance.

To protect against a risk of fire or electric shock, basic precautions shall be taken while using electrical appliances, including the following:

1. Make sure the voltage in your outlet corresponds to the voltage provided on the appliance label and that the socket is properly grounded. The outlet must be installed in accordance with applicable electrical codes according to EN.
2. Do not use the device without a properly attached base.
3. Never use the device if the power cord or any other part of the device is damaged. All repairs, including cord replacements, must be carried out at a professional service centre! Do not remove the protective covers from the appliance; there is a risk of electric shock!
4. Protect the device from a direct contact with water and other liquids to prevent an injury by electric shock.
5. Do not use the device outdoors or in a humid environment, and do not touch the power cord or the appliance with wet hands. Risk of electric shock.
6. Close supervision is necessary for operating the device near children!
7. Ensure that the device is placed on a flat and stable surface. This equipment must not be placed on furniture or mounted on the wall.

8. Do not use the device near flammable objects or underneath them, e.g. close to drapes. The temperature of the surfaces near the device (1 m) may be higher than usual while it is in operation. Place the device so as to ensure sufficient air circulation.
9. Do not place the device on a high pile carpet.
10. Do not place the device in front of or right under an electrical outlet.
11. Never cover the device! In case of covering it there is a risk of overheating and fire.
12. The device must not be connected to power supply via a timer or connected to a remotely switched power circuit because there is a risk of fire in the event of remote switching on a covered or improperly placed device.
13. Do not use the device close to a bathtub, shower or a pool and do not place in locations where is a danger of it falling into a bathtub or another container with water!
14. If the device emits an abnormal smell or smoke, immediately unplug it and have it checked by a service centre.
15. Do not switch off the device by pulling on the power cord. Always turn off the main switch of the device first!
16. Always disconnect the power supply before handling, carrying or maintaining the device.
17. Do not leave the device with plugged in cable unattended. Disconnect the cord from the electrical outlet prior to any maintenance. Do not unplug the device by pulling the power cord. Unplug the power cord from the outlet by grasping the plug.
18. Do not allow the power cord to touch hot surfaces or run the cord over sharp edges.
19. Do not use the device in places where flammable materials are stored (paint, gasoline, solvent etc.) or where there is a risk of flammable fumes appearing.
20. Do not insert fingers or other objects in the openings of the device.

21. Do not cover the output openings with a towel, for example, or when drying any laundry.
22. Use this appliance only in accordance with the instructions in this manual. The manufacturer is not liable for damages caused by the improper use.
23. This appliance is specified for household use. Do not use outdoors. Do not use it in dusty environments. Keep it dry.
24. This heater is designed for rooms where the ambient temperature is above 0°C.
25. This appliance can be used by children aged 8 years and older and people with lower physical or mental abilities or lack of experience and knowledge, if they are supervised or have been instructed to use the product in a safe manner and understand the potential dangers. Children shall not play with the appliance. User cleaning and maintenance must not be performed by unsupervised children. Children under 8 years old must keep away from the appliance and its power supply.
 - Children under 3 years of age may not be near the device unless constantly supervised.
 - Children aged 3 to 8 years can turn the appliance on and off only if it is properly placed and installed in its correct working position when they are under supervision or have been instructed on the use of the appliance in a safe way and understand the potential dangers. Children aged 3 to 8 years are not allowed to plug the appliance, set controls, clean it or perform user maintenance.

WARNING: Some parts of the appliance may be very hot during operation and can cause burns. It is necessary to exercise caution in the presence of children or persons with physical or mental impairments.

WARNING: This heater is not equipped with a device for measuring the room temperature. Do not use the heater in small rooms occupied by

individuals that are not capable of leaving the room without assistance, unless proper supervision is available.

WARNING: Use the device always only in the upright position (base on the bottom, controls at the top). Any other position is dangerous.

Do not immerse in water! – Do not immerse in water!

The surfaces marked in this way become hot during use.

Risk of burns!



DO NOT COVER! Danger of fire.



DANGER for children: Children may not play with the packaging material. Do not let children play with the plastic bags. Risk of suffocation.

Installation requirements

Place the radiator on a flat surface that provides sufficient free space for proper venting. There must be a distance of at least 1 m between the device and surrounding objects. The heater must not be operated without the bases fitted.

USING THE APPLIANCE

Note: When first switched on or switched on after a long period of inactivity, the heaters may emit odor or smoke. This is normal and it will fade away in a short while.

This device uses convection heating technology with temperature control. It is equipped with the function **TURBO** (use of heating together with a fan) Thermostat control (A) is used to regulate temperature. Turn the power control to set the required level:

Switch the unit on with the B control and select the desired function (fan without heating, low or high power).

To heat the room faster, we recommend setting the thermostat to maximum and the dial to high power. Once you reach the desired temperature, turn the thermostat counter-clockwise until the thermostat shuts off. This sets the temperature that the device will automatically maintain until you switch it off.

Any manipulation of the device can only be performed if it is switched off with the main switch and disconnected from the electrical outlet.

Turning the appliance off

First, set the thermostat control to position „MIN" and switch to position "0". Then always unplug the power cord from the outlet!

Any handling of the device can only be performed if the switches are off and it is disconnected from the electrical outlet.

Protection against overheating

The internal thermal fuse protects the heater from overheating and automatically shuts it off. In this case, the operating indicator turns off.

If the device shuts itself off, disconnect it from the electrical outlet. The device is ready to use again after it cools (in about 15 minutes). Plug the power cable back into the socket.

If the situation repeats, first check that the thermostat controller is set correctly and that the ventilation holes are not covered.

CLEANING AND MAINTENANCE

Always pull the power cord out of the outlet before cleaning and wait for it to cool down completely. Clean the outer surface of the device with a damp cloth. Do not use sharp or abrasive agents to clean the device, otherwise the surface can become damaged.

You can put the device in storage only after proper switching off the main switch, disconnection from the outlet and after complete cooling.

STORAGE OF THE DEVICE

If you do not plan to use the device for a longer period of time, you should store it in a clean and dry place protected from dust.

TECHNICAL DATA

HH 2010

Max. input power: 2000 W

2 power levels: 1000 W and 2000 W

Built-in fan

Continuous thermostat regulation

Safety cut out switch

Free-standing

Nominal voltage: 220–240 V~ 50 Hz

Nominal input power: 2000 W

HH 3010

Max. input power: 3000 W

2 power levels: 1500 W and 3000 W

Built-in fan

Continuous thermostat regulation

Safety cut out switch

Free-standing

Nominal voltage: 220–240 V~ 50 Hz

Nominal input power: 3000 W

USE AND DISPOSAL OF WASTE

Wrapping paper and corrugated paperboard – deliver to scrapyards. Packing foil, PE bags, plastic elements – throw into plastic recycling containers.

DISPOSAL OF THE PRODUCT AT THE END OF LIFE

Disposal of electric and electronic equipment (valid in EU member countries and other European countries with an implemented recycling system)

The represented symbol on the product or package means the product shall not be treated as domestic waste. Hand over the product to the specified location for recycling electric and electronic equipment. Prevent negative impacts on human health and the environment by properly recycling your product. Recycling contributes to preserving natural resources. For more information on the recycling of this product, refer to your local authority, domestic waste processing organization or store, where you purchased the product.



08/05



This product complies with EU directives on electromagnetic compatibility and electrical safety.

The instruction manual is available at the website www.ecg.cz.

Changes of text and technical parameters reserved.

English	Information sheet for portable heaters		
Type:	ECG HH 2010 (YXC-02R)		
Item	Brand	Value	Unit
Heat output			
Nominal heat output	P_{nom}	2.0	kW
Minimum heat output (indicative)	P_{min}	1.0	kW
Maximum continuous heat output	$P_{max,c}$	2.0	kW
Auxiliary electricity consumption			
At nominal heat output	el_{max}	1.980	kW
At minimum heat output	el_{min}	0.960	kW
In standby mode	el_{sb}	N/A	kW
Type of heat input, for electric storage local space heaters only (select one)			
Manual heat charge control, with integrated thermostat			NO
Manual heat charge control with room and/or outdoor temperature feedback			NO
Electronic heat charge control with room and/or outdoor temperature feedback			NO
Fan assisted heat output			NO
Type of heat output/room temperature control (select one)			
Single stage heat output and no room temperature control			NO
Two or more manual stages, no room temperature control			NO
With mechanic thermostat room temperature control			YES
With electronic room temperature control			NO
Electronic room temperature control plus day timer			NO
Electronic room temperature control plus week timer			NO
Other control options (multiple selections possible)			
Room temperature control, with presence detection			NO
Room temperature control, with open window detection			NO
With distance control option			NO
With adaptive start control			NO
With working time limitation			NO
With black bulb sensor			NO

GB

K+B Progres, a.s.
U Expertu 91
250 69 Klíčany

tel.: +420,272,122,111
e-mail: ECG@kbexpert.cz

English	Information sheet for portable heaters		
Type:	ECG HH 3010 (YXC-03R)		
Item	Brand	Value	Unit
Heat output			
Nominal heat output	P_{nom}	3.0	kW
Minimum heat output (indicative)	P_{min}	1.5	kW
Maximum continuous heat output	$P_{max,c}$	3.0	kW
Auxiliary electricity consumption			
At nominal heat output	el_{max}	2.975	kW
At minimum heat output	el_{min}	1.445	kW
In standby mode	el_{sb}	N/A	kW
Type of heat input, for electric storage local space heaters only (select one)			
Manual heat charge control, with integrated thermostat			NO
Manual heat charge control with room and/or outdoor temperature feedback			NO
Electronic heat charge control with room and/or outdoor temperature feedback			NO
Fan assisted heat output			NO
Type of heat output/room temperature control (select one)			
Single stage heat output and no room temperature control			NO
Two or more manual stages, no room temperature control			NO
With mechanic thermostat room temperature control			YES
With electronic room temperature control			NO
Electronic room temperature control plus day timer			NO
Electronic room temperature control plus week timer			NO
Other control options (multiple selections possible)			
Room temperature control, with presence detection			NO
Room temperature control, with open window detection			NO
With distance control option			NO
With adaptive start control			NO
With working time limitation			NO
With black bulb sensor			NO

GB

K+B Progres, a.s.
U Expertu 91
250 69 Klíčany

tel.: +420,272,122,111
e-mail: ECG@kbexpert.cz

SICHERHEITSHINWEISE

Bitte aufmerksam lesen und gut aufbewahren!

Warnung: Die in dieser Anleitung angeführten Sicherheitsvorkehrungen und Hinweise umfassen nicht alle Umstände und Situationen, zu denen es kommen könnte. Der Anwender muss begreifen, dass der gesunde Menschenverstand, Vorsicht und Sorgfalt zu Faktoren gehören, die sich in kein Produkt einbauen lassen. Diese Faktoren müssen durch den Anwender bzw. mehrere Anwender bei der Verwendung und Bedienung dieses Gerätes gewährleistet werden. Wir haften nicht für Schäden, die durch Transport, eine unsachgemäße Verwendung, Spannungsschwankungen sowie eine Änderung oder Modifikation des Gerätes entstehen.

Vermeiden Sie Brände und Stromunfälle, indem Sie bei der Verwendung von elektrischen Geräten u.a. folgende Grundmaßnahmen einhalten:

1. Vergewissern Sie sich, dass die Spannung in Ihrer Steckdose mit der Spannung auf dem Geräteschild übereinstimmt und die Steckdose ordnungsgemäß geerdet wurde. Die Steckdose muss gemäß geltender elektrotechnischer Norm (EN) installiert werden.
2. Gerät niemals ohne ordnungsgemäß anmontierten Ständer benutzen.
3. Verwenden Sie das Gerät niemals, wenn das Netzkabel oder ein anderer Teil des Geräts beschädigt ist. Sämtliche Reparaturen und das Auswechseln des Stromkabels sollten einem Fachservice anvertraut werden! Demontieren Sie niemals die Schutzabdeckungen des Gerätes. Dies könnte zu einem Stromunfall führen!
4. Schützen Sie das Gerät vor direktem Kontakt mit Wasser und sonstigen Flüssigkeiten, um möglichen Stromunfällen vorzubeugen.
5. Verwenden Sie das Gerät nicht im Freien oder in einer feuchten Umgebung. Netzkabel oder Gerät nicht mit nassen Händen berühren. Es könnte zu einem Stromunfall kommen.
6. Seien Sie besonders aufmerksam, wenn Sie das Gerät in der Nähe von Kindern verwenden!

7. Sorgen Sie dafür, dass das Gerät auf einer geraden und stabilen Oberfläche steht. Dieses Gerät darf nicht auf Möbeln platziert oder an einer Wand montiert werden.
8. Verwenden Sie das Gerät nicht in der Nähe oder unter brennbaren Gegenständen, wie z. B. Vorhängen. Die Oberflächentemperatur in der Nähe des Geräts (1 m) könnte während des Betriebes höher als gewöhnlich sein. Stellen Sie das Gerät so auf, dass eine ausreichende Luftzirkulation gewährleistet ist.
9. Gerät niemals auf einen Teppich mit hohen Fasern aufstellen.
10. Gerät niemals vor oder unmittelbar unter eine Steckdose platzieren.
11. Gerät niemals abdecken! Sollten Sie diesen abdecken, besteht die Gefahr einer Überhitzung oder eines Brandes.
12. Das Gerät darf weder mithilfe eines Zeitschalters an das Stromnetz noch an einen ferngesteuerten Stromkreis angeschlossen werden, da im Falle einer Fernschaltung eines verdeckten oder ungeeignet platzierten Geräts das Risiko eines Brandes besteht.
13. Gerät niemals in der Nähe von Badewannen, Duschen oder Schwimmbecken benutzen oder an Orten platzieren, an denen das Gerät in eine Badewanne oder einen anderen Behälter mit Wasser stürzen könnte!
14. Wenn das Gerät ungewöhnlichen Geruch oder Rauch abgibt, trennen Sie es sofort vom Stromnetz lassen durch einen Fachservice überprüfen.
15. Gerät niemals durch das Herausziehen des Steckers ausschalten. Schalten Sie immer zuerst den Hauptschalter des Gerätes aus!
16. Trennen Sie das Gerät immer von der Stromversorgung, bevor Sie damit manipulieren, es umstellen oder warten.
17. Lassen Sie das Gerät nicht unbeaufsichtigt, wenn das Netzkabel eingesteckt ist. Ziehen Sie vor der Wartung das Stromkabel aus der Steckdose. Niemals am Kabel ziehen. Ziehen Sie am Stecker, um das Kabel aus der Steckdose zu ziehen.

18. Das Stromkabel darf nicht mit heißen Teilen in Berührung kommen oder über scharfe Kanten führen.
19. Verwenden Sie das Gerät nicht an Orten, an denen brennbare Stoffe (Farben, Benzin, Lösungsmittel usw.) gelagert werden oder wo die Gefahr von brennbaren Dämpfen besteht.
20. Stecken sie weder Finger noch sonstige Gegenstände in die Geräteöffnungen.
21. Verdecken Sie niemals die Ausgangsöffnungen beispielsweise mit einem Handtuch. Auch sollten Sie auf dem Gerät keine Wäsche trocknen.
22. Verwenden Sie das Gerät ausschließlich gemäß den in dieser Bedienungsanleitung aufgeführten Anweisungen. Der Hersteller haftet nicht für Schäden, die auf eine unsachgemäße Verwendung zurückzuführen sind.
23. Das Gerät ist nur für den Haushaltsgebrauch bestimmt. Nicht im Freien benutzen. Nicht in einer staubigen Umgebung benutzen. Stets trocken halten.
24. Dieses Heizgerät ist für Räume vorgesehen, in denen die Umgebungstemperatur über 0°C liegt.
25. Kinder ab 8 Jahren und Personen mit verminderten physischen und mentalen Fähigkeiten sowie mangelnden Erfahrungen und Kenntnissen können dieses Gerät nur unter Aufsicht benutzen oder nachdem diese über einen gefahrlosen Gebrauch belehrt und mit möglichen Gefahren bekannt gemacht wurden. Kinder dürfen nicht mit dem Gerät spielen. Die seitens des Verbrauchers vorgenommenen Reinigungs- und Wartungsarbeiten dürfen Kinder nur dann vornehmen, falls diese beaufsichtigt werden. Kinder unter 8 Jahren sind außer Reichweite des Gerätes und Stromkabels zu halten.
 - Kinder unter 3 Jahren dürfen sich nicht in der Nähe des Gerätes aufhalten, es sei denn, sie werden beaufsichtigt.

- Kinder in einem Alter von 3 bis 8 Jahren dürfen das Gerät nur dann ein-/ausschalten, falls das Gerät in seiner vorgesehenen und normalen Betriebslage platziert und installiert wurde, und falls die Kinder beaufsichtigt werden oder über eine sichere Verwendung des Gerätes belehrt wurden und möglichen Gefahren verstehen. Kinder in einem Alter von 3 bis 8 Jahren dürfen das Gerät nicht einschalten, dieses einstellen, reinigen oder die seitens des Anwenders vorgenommenen Wartungsarbeiten durchführen.

HINWEIS: Einigen Geräteteile können während des Betriebes sehr heiß werden und Verbrennungen verursachen. Sie sollten besonders vorsichtig sein, falls sich in der Nähe des Gerätes Kinder oder Personen mit verminderten physischen und mentalen Fähigkeiten aufhalten.

WARNUNG: Dieser Heizkörper ist nicht mit einer Vorrichtung zur Überwachung der Raumtemperatur ausgestattet. Verwenden Sie diesen Heizlüfter nicht in kleinen Räumen, in denen sich Personen befinden, die den Raum nicht von alleine verlassen können, soweit nicht für Daueraufsicht gesorgt wurde.

WARNUNG: Heizkörper ausschließlich in vertikaler Lage benutzen (Ständer unten, Bedienung oben). Eine andere Lage könnte gefährlich sein.

Do not immerse in water! – Nicht ins Wasser tauchen!

Einige Oberflächen werden im Laufe des Betriebes heiß. Verbrennungsgefahr!



NIEMALS ABDECKEN! Brandgefahr.



GEFAHR für Kinder: Kinder dürfen nicht mit dem Verpackungsmaterial spielen. Kinder dürfen nicht mit den Kunststoffbeuteln spielen. Erstickungsgefahr.

Aufstellung

Platzieren Sie den Radiator auf eine gerade Fläche, die ausreichend Freiraum für eine richtige Funktionsweise der Lüftungsöffnungen gewährt. Zwischen dem Gerät und umliegenden Gegenständen sollte ein Mindestabstand von 1 m gewährleistet werden. Der Heizkörper darf nicht ohne anontierten Ständern benutzt werden.

ANWENDUNGSHINWEISE

Bemerkung: Beim ersten Einschalten des Gerätes oder beim Einschalten nach einer längeren Zeit der Inaktivität, könnte von den Heizkörpern Geruch oder Qualm abgegeben werden. Diese Erscheinung ist normal und verschwindet nach einer Weile.

Dieses Gerät arbeitet auf dem Prinzip einer Heißluft-Technologie mit einer möglichen Temperaturregelung. Das Gerät kommt mit der Funktion **TURBO** (Erwärmung mit Ventilator). Thermostatregler (A) zur Regelung der Temperatur. Durch Drehen des Thermostatreglers können Sie die gewünschte Stufe einstellen.

Schalten Sie das Gerät mit dem Regler B ein und wählen Sie die gewünschte Funktion (Ventilator ohne Heizung, niedrige oder hohe Leistung).

Für eine schnellere Raumerwärmung empfehlen wir, den Thermostat auf Maximum und den Wahlschalter auf hohe Leistung zu stellen. Wenn die gewünschte Temperatur erreicht ist, drehen Sie den Thermostat gegen den Uhrzeigersinn, bis er sich ausschaltet. Hiermit wird die Temperatur eingestellt, die das Gerät automatisch aufrechterhält, bis Sie es ausschalten.

Sie können mit dem Gerät erst dann manipulieren, nachdem dieses via Hauptschalter ausgeschaltet und vom Stromnetz getrennt wurde.

Ausschalten des Geräts

Thermostatregler zunächst in Position „MIN“ und Hauptschalter in Position "0" versetzen. Danach nicht vergessen Netzkabel aus der Steckdose zu ziehen!

Sie können mit dem Gerät erst dann manipulieren, nachdem dieses mit den Hauptschaltern ausgeschaltet und vom Stromnetz getrennt wurde.

Überhitzungsschutz

Die interne Wärmesicherung schützt das Heizgerät vor einer Überhitzung und schaltet dieses im Bedarfsfall automatisch aus. In einem solchen Fall erlischt die Betriebsanzeige.

Wenn sich das Gerät von alleine ausschaltet, ziehen Sie das Netzkabel aus der Steckdose. Nach dem Abkühlen (etwa 15 Minuten) kann das Gerät erneut benutzt werden. Stecker wieder in die Steckdose stecken.

Sollte sich diese Situation wiederholen, überprüfen Sie zuerst, ob der Thermostatregler richtig eingestellt wurde und die Ventilationsöffnungen des Gerätes nicht verdeckt sind.

REINIGUNG UND INSTANDHALTUNG

Ziehen Sie vor der Reinigung das Stromkabel heraus und warten bis das Gerät abgekühlt ist. Reinigen Sie die äußere Oberfläche des Geräts mit einem feuchten Tuch. Verwenden Sie zur Reinigung weder spitze Gegenstände noch abrasive Reinigungsmittel, welche die Oberfläche des Geräts beschädigen könnten.

Sie sollten das Gerät erst dann ablegen, wenn der Hauptschalter ordnungsgemäß ausgeschaltet, das Gerät vom Netz getrennt und vollständig abgekühlt ist.

LGERUNG DES GERÄTS

Beabsichtigen Sie das Gerät für eine längere Zeit nicht zu benutzen, sollten Sie dieses an einem sauberen und trockenen Ort bewahren, der überdies vor Staub geschützt ist.

TECHNISCHE ANGABEN

HH 2010

Max. Leistung: 2000 W
2 Leistungsstufen: 1000 W und 2000 W
Eingebauter Lüfter
Stufenlose Thermostat-Regelung
Wärmesicherung
Freistehend
Nennspannung: 220–240 V~ 50 Hz
Anschlusswert: 2000 W

HH 3010

Max. Leistung: 3000 W
2 Leistungsstufen: 1500 W und 3000 W
Eingebauter Lüfter
Stufenlose Thermostat-Regelung
Wärmesicherung
Freistehend
Nennspannung: 220–240 V~ 50 Hz
Anschlusswert: 3000 W

VERWERTUNG UND ENTSORGUNG VON ABFALL

Verpackungspapier und Wellenpappe an einer Sammelstelle abgeben. Verpackungsfolie, PET-Beutel und Kunststoffteile gehören in Sammelcontainer für Kunststoff.

ENTSORGUNG DES PRODUKTES NACH ABLAUF SEINER LEBENSDAUER

Entsorgung von gebrauchten elektrischen und elektronischen Geräten (gültig in den Mitgliedsländern der EU und anderen europäischen Ländern, in denen das Abfalltrennungssystem eingeführt ist)

Das abgebildete Symbol auf dem Produkt oder auf der Verpackung weist darauf hin, dass das Produkt nicht in den Hausmüll gehört. Das Produkt sollte an einem Ort abgegeben werden, der für die Wiederverwertung von elektrischen und elektronischen Geräten bestimmt ist. Eine richtige Entsorgung des Produktes beugt negativen Einflüssen auf die menschliche Gesundheit und die Umwelt vor. Die Wiederverwertung trägt zum Schutz der Naturressourcen bei. Weitere Informationen über die Wiederverwertung des Produktes erhalten Sie über das Gemeindeamt, eine Organisation, die sich mit der Behandlung von Hausmüll befasst, oder die Verkaufsstelle, an der das Produkt erworben wurde.



08/05

Dieses Produkt erfüllt sämtliche Anforderungen der EU-Richtlinien über die elektromagnetische Kompatibilität und elektrische Sicherheit.



Die Bedienungsanleitung finden Sie unter www.ecg.cz.

Änderungen des Textes und der technischen Parameter sind vorbehalten.

Deutsch	Datenblatt für tragbare Heizgeräte		
Typ:	ECG HH 2010 (YXC-02R)		
Angabe	Marke	Wert	Einheit
Wärmeleistung			
Norm-Wärmeleistung	P_{nom}	2,0	kW
Minimale Wärmeleistung (Richtwert)	P_{min}	1,0	kW
Maximale Wärmeleistung	$P_{max,c}$	2,0	kW
Hilfsstromverbrauch			
Bei Norm-Wärmeleistung	el_{max}	1,980	kW
Bei minimaler Wärmeleistung	el_{min}	0,960	kW
Im Standby-Modus	el_{sb}	nicht verfügbar	kW
Nur bei elektrischen Speicherheizungen: Typ der Wärmeaufnahme (ein möglicher Wert)			
Manuell gesteuerte Wärmespeicherung mit integriertem Thermostat			NEIN
Manuell gesteuerte Wärmespeicherung mit Rückinformation über die Raumtemperatur und/oder die Außentemperatur			NEIN
Elektronisch gesteuerte Wärmespeicherung mit Rückinformation über die Raumtemperatur und/oder die Außentemperatur			NEIN
Wärmeabgabe mit Ventilator			NEIN
Typ der Wärmeabgabe//Temperaturregelung im Raum (ein möglicher Wert)			
Eine Wärmeleistungsstufe ohne Temperaturregelung im Raum			NEIN
Zwei oder mehrere manuelle Stufen, ohne Temperaturregelung im Raum			NEIN
Mit mechanischem Thermostat zur Temperaturregelung im Raum			JA
Mit elektronischer Temperaturregelung im Raum			NEIN
Mit elektronischer Temperaturregelung im Raum und Tagesprogramm			NEIN
Mit elektronischer Temperaturregelung im Raum und Wochenprogramm			NEIN
Weitere Regelungsmöglichkeiten (mehrere Werte möglich)			
Temperaturregelung im Raum mit Detektion der Anwesenheit von Personen			NEIN
Temperaturregelung im Raum mit Detektion eines geöffneten Fensters			NEIN
Mit Fernsteuerung			NEIN
Mit adaptiv gesteuertem Start			NEIN
Mit beschränkter Betriebszeit			NEIN
Mit rundem Temperaturfühler in schwarzer Farbe			NEIN

Deutsch	Datenblatt für tragbare Heizgeräte		
Typ:	ECG HH 3010 (YXC-03R)		
Angabe	Marke	Wert	Einheit
Wärmeleistung			
Norm-Wärmeleistung	P_{nom}	3,0	kW
Minimale Wärmeleistung (Richtwert)	P_{min}	1,5	kW
Maximale Wärmeleistung	$P_{max,c}$	3,0	kW
Hilfsstromverbrauch			
Bei Norm-Wärmeleistung	el_{max}	2,975	kW
Bei minimaler Wärmeleistung	el_{min}	1,445	kW
Im Standby-Modus	el_{sb}	nicht verfügbar	kW
Nur bei elektrischen Speicherheizungen: Typ der Wärmeaufnahme (ein möglicher Wert)			
Manuell gesteuerte Wärmespeicherung mit integriertem Thermostat			NEIN
Manuell gesteuerte Wärmespeicherung mit Rückinformation über die Raumtemperatur und/oder die Außentemperatur			NEIN
Elektronisch gesteuerte Wärmespeicherung mit Rückinformation über die Raumtemperatur und/oder die Außentemperatur			NEIN
Wärmeabgabe mit Ventilator			NEIN
Typ der Wärmeabgabe//Temperaturregelung im Raum (ein möglicher Wert)			
Eine Wärmeleistungsstufe ohne Temperaturregelung im Raum			NEIN
Zwei oder mehrere manuelle Stufen, ohne Temperaturregelung im Raum			NEIN
Mit mechanischem Thermostat zur Temperaturregelung im Raum			JA
Mit elektronischer Temperaturregelung im Raum			NEIN
Mit elektronischer Temperaturregelung im Raum und Tagesprogramm			NEIN
Mit elektronischer Temperaturregelung im Raum und Wochenprogramm			NEIN
Weitere Regelungsmöglichkeiten (mehrere Werte möglich)			
Temperaturregelung im Raum mit Detektion der Anwesenheit von Personen			NEIN
Temperaturregelung im Raum mit Detektion eines geöffneten Fensters			NEIN
Mit Fernsteuerung			NEIN
Mit adaptiv gesteuertem Start			NEIN
Mit beschränkter Betriebszeit			NEIN
Mit rundem Temperaturfühler in schwarzer Farbe			NEIN

DE

K+B Progres, a.s.
U Expertu 91
250 69 Klíčany

Tel.: +420 272 122 111
Email: ECG@kbexpert.cz

BEZPEČNOSTNÍ POKYNY

Čtěte pozorně a uschovejte pro budoucí potřebu!

Čeština

Varování: Bezpečnostní opatření a pokyny uvedené v tomto návodu nezahrnují všechny možné podmínky a situace, ke kterým může dojít. Uživatel musí pochopit, že faktorem, který nelze zabudovat do žádného z výrobků, je zdravý rozum, opatrnost a péče. Tyto faktory tedy musí být zajištěny uživatelem/uživateli používajícími a obsluhujícími toto zařízení. Neodpovídáme za škody způsobené během přepravy, nesprávným používáním, kolísáním napětí nebo změnou či úpravou jakékoliv části zařízení.

Aby nedošlo ke vzniku požáru nebo k úrazu elektrickým proudem, měla by být při používání elektrických zařízení vždy dodržována základní opatření, včetně těch následujících:

1. Ujistěte se, že napětí ve vaší zásuvce odpovídá napětí uvedenému na štítku zařízení a že je zásuvka řádně uzemněná. Zásuvka musí být instalována podle platné elektrotechnické normy ČSN.
2. Přístroj nepoužívejte bez řádně připevněného podstavce.
3. Nikdy přístroj nepoužívejte, jsou-li přívodní kabel nebo jakákoliv jiná část přístroje poškozeny. Veškeré opravy včetně výměny napájecího přívodu svěřte odbornému servisu! Nedemontujte ochranné kryty zařízení, hrozí nebezpečí úrazu elektrickým proudem!
4. Chraňte přístroj před přímým kontaktem s vodou a jinými tekutinami, aby nedošlo k případnému úrazu elektrickým proudem.
5. Nepoužívejte přístroj venku nebo ve vlhkém prostředí a nedotýkejte se přívodního kabelu nebo přístroje mokřými rukama. Hrozí nebezpečí úrazu elektrickým proudem.
6. Dbejte zvýšené pozornosti, pokud používáte přístroj v blízkosti dětí!
7. Zajistěte, aby byl přístroj umístěn na rovném a stabilním povrchu. Toto zařízení nesmí být umístěno na nábytku nebo připevněno na zed.

8. Příklad nepoužívejte v blízkosti hořlavých předmětů nebo pod nimi, např. v blízkosti záclon. Teplota povrchů v blízkosti přístroje (1 m) může být během jeho chodu vyšší než obvykle. Příklad umístěte tak, aby byla zajištěna dostatečná cirkulace vzduchu.
9. Příklad nestavte na koberce s vysokým vlasem.
10. Příklad neumísťujte před nebo bezprostředně pod elektrickou zásuvku.
11. Příklad nikdy nezakrývejte! V případě překrytí hrozí nebezpečí přehřátí nebo požáru.
12. Příklad nesmí být zapojen do sítě prostřednictvím časového spínače nebo zapojen do vzdáleně spínaného napájecího okruhu, protože v případě vzdáleného zapnutí překrytého nebo nevhodně umístěného přístroje hrozí riziko požáru.
13. Příklad nepoužívejte v bezprostřední blízkosti vany, sprchy nebo bazénu a neumísťujte na místa, kde hrozí pád do vany nebo jiné nádoby s vodou!
14. Pokud se z přístroje line neobvyklý zápach nebo kouř, okamžitě přístroj odpojte a nechte zkontrolovat v servisu.
15. Příklad nevypínejte vytažením vidlice přívodního kabelu. Vždy nejprve vypněte hlavní vypínač přístroje!
16. Před jakoukoliv manipulací, přenášením přístroje nebo jeho údržbou jej vždy odpojte od napájení.
17. Příklad se zasunutým přívodním kabelem nenechávejte bez dozoru. Před údržbou vytáhněte přívodní kabel ze síťové zásuvky. Neodpojujte taháním za kabel. Kabel odpojte ze zásuvky uchopením za vidlici.
18. Přívodní kabel se nesmí dotýkat horkých částí ani vést přes ostré hrany.
19. Příklad nepoužívejte na místech, kde jsou uskladněny hořlavé látky (barvy, benzín, rozpouštědla atd.) nebo kde hrozí výskyt hořlavých výparů.
20. Do otvorů přístroje nestrkejte prsty nebo jiné předměty.

21. Výstupní otvory nezakrývejte například ručníkem, nebo při sušení jakéhokoliv jiného prádla.
22. Přístroj používejte pouze v souladu s pokyny uvedenými v tomto návodu. Výrobce neodpovídá za škody způsobené nesprávným použitím.
23. Tento spotřebič je určen pro použití v domácnosti. Nepoužívejte jej ve venkovním prostředí. Nepoužívejte jej v prašném prostředí. Uchovávejte jej v suchu.
24. Toto topení je určeno do prostorů, jejichž okolní teplota je nad 0°C.
25. Tento spotřebič mohou používat děti ve věku 8 let a starší a osoby se sníženými fyzickými či mentálními schopnostmi nebo nedostatkem zkušeností a znalostí, pokud jsou pod dozorem nebo byly poučeny o používání spotřebiče bezpečným způsobem a rozumí případným nebezpečím. Děti si se spotřebičem nesmějí hrát. Čištění a údržbu prováděnou uživatelem nesmějí provádět děti bez dozoru. Děti mladší 8 let se musí držet mimo dosah spotřebiče a jeho přívodu.
 - Děti mladší 3 let nesmějí být v blízkosti přístroje s výjimkou, kdy jsou pod stálým dohledem.
 - Děti ve věku od 3 do 8 let mohou spotřebič zapínat a vypínat pouze v případě, že je správně umístěný a nainstalovaný ve své správné pracovní pozici, pokud jsou pod dozorem nebo byly poučeny o používání spotřebiče bezpečným způsobem a rozumí případným nebezpečím. Děti ve věku od 3 do 8 let nesmějí spotřebič zapojovat, provádět nastavení regulace, čistit jej ani provádět údržbu prováděnou uživatelem.

UPOZORNĚNÍ: Některé části spotřebiče mohou být při provozu velmi horké a mohou způsobit popáleniny. Je nezbytné dbát zvýšené pozornosti v případě přítomnosti dětí nebo osob se sníženými fyzickými či mentálními schopnostmi.

VÝSTRAHA: Toto topidlo není vybaveno zařízením pro kontrolu teploty místnosti. Nepoužívejte toto topidlo v malých místnostech, jsou-li

obsazeny osobami, které nejsou schopny opustit místnost vlastními silami, není-li zajištěn trvalý dozor.

VÝSTRAHA: Topidlo vždy používejte pouze ve svislé poloze (podstavce dole, ovládání nahoře). Jakákoliv jiná poloha je nebezpečná.

Do not immerse in water! – Neponořovat do vody!

Takto označené povrchy se při používání stávají horkými. Riziko popálení!



NEZAKRÝVAT! Nebezpečí požáru.



NEBEZPEČÍ pro děti: Děti si nesmějí hrát s obalovým materiálem. Nenechte děti hrát si s plastovými sáčky. Nebezpečí udušení.

Požadavky na umístění

Radiátor umístěte na rovný povrch, který zaručuje dostatečně volný prostor pro správnou funkci odvětrávacích otvorů. Mezi přístrojem a okolními předměty musí být vzdálenost nejméně 1 m. Topidlo nesmí být provozováno bez namontovaných podstavců.

POKYNY K POUŽÍVÁNÍ

Poznámka: Při prvním zapnutí přístroje nebo při zapnutí po delší době nečinnosti může z topných těles vycházet zápach nebo dým. Tento jev je normální a po krátké chvíli odezní.

Tento přístroj využívá horkovzdušnou technologii s možností regulace teploty. Je vybaven funkcí **TURBO** (použití ohřevu společně s ventilátorem). Ovladač termostatu (A) slouží k regulaci teploty. Otáčením ovladače můžete nastavit požadovanou úroveň.

Ovladačem B přístroj zapněte a zvolte požadovanou funkci (ventilátor bez topení, nízký nebo vysoký výkon).

Pro rychlejší vyhřátí místnosti doporučujeme nastavit termostat na maximum a volič na vysoký výkon. Jakmile dosáhnete požadované teploty, otáčejte termostatem proti směru hodinových ručiček přesně do okamžiku, kdy termostat vypne. Takto nastavíte teplotu, kterou bude přístroj automaticky udržovat až do okamžiku, než jej vypnete.

Jakoukoliv manipulaci s přístrojem lze provádět pouze tehdy, je-li vypnutý pomocí hlavního vypínače a odpojený ze síťové zásuvky.

Vypnutí přístroje

Nejprve nastavte ovladače termostatu do pozice „MIN“ a ovladač zapnutí do polohy "0". Poté vždy vytáhněte přívodní kabel ze síťové zásuvky!

Jakoukoliv manipulaci s přístrojem lze provádět pouze tehdy, je-li vypnutý pomocí vypínačů a odpojený ze síťové zásuvky.

Ochrana před přehřátím

Interní tepelná pojistka chrání topidlo před přehřátím a automaticky jej vypne. V takovém případě zhasne provozní kontrolka.

Pokud se přístroj sám vypne, odpojte přívodní kabel z elektrické zásuvky. Po zchladnutí (cca 15 minut) je přístroj opět připraven k použití. Vidlici přívodního kabelu zapojte zpět do zásuvky.

Pokud se situace samovolně opakuje, zkontrolujte nejprve, zda je správně nastaven ovladač termostatu a zda nejsou zakryty ventilační otvory přístroje.

ČIŠTĚNÍ A ÚDRŽBA

Před čištěním vždy vytáhněte přívodní kabel ze zásuvky a počkejte, až přístroj zcela vychladne. Vlhkým hadříkem očistěte vnější povrch přístroje. K čištění nepoužívejte ostré předměty nebo abrazivní prostředky, mohli byste poškodit povrch přístroje.

Přístroj můžete uložit až po řádném vypnutí hlavního vypínače, odpojení ze síťové zásuvky a po dokonalém vychladnutí.

SKLADOVÁNÍ PŘÍSTROJE

Pokud nebudete spotřebič delší dobu používat, měl by být uložen na čistém a suchém místě chráněném před prachem.

TECHNICKÉ ÚDAJE

HH 2010

Max. příkon: 2000 W

2 stupně výkonu: 1000 W a 2000 W

Zabudovaný ventilátor

Plynule regulovatelný termostat

Tepelná pojistka

Volně stojící

Jmenovité napětí: 220–240 V~ 50 Hz

Jmenovitý příkon: 2000 W

HH 3010

Max. příkon: 3000 W

2 stupně výkonu: 1500 W a 3000 W

Zabudovaný ventilátor

Plynule regulovatelný termostat

Tepelná pojistka

Volně stojící

Jmenovité napětí: 220–240 V~ 50 Hz

Jmenovitý příkon: 3000 W

VYUŽITÍ A LIKVIDACE ODPADU

Balící papír a vlnitá lepenka – odevzdat do sběrných surovin. Přebalová folie, PE sáčky, plastové díly – do sběrných kontejnerů na plasty.

LIKVIDACE VÝROBKU PO UKONČENÍ ŽIVOTNOSTI

Likvidace použitých elektrických a elektronických zařízení (platí v členských zemích EU a dalších evropských zemích se zavedeným systémem třídění odpadu)

Vyobrazený symbol na produktu nebo na obalu znamená, že s produktem by nemělo být nakládáno jako s domovním odpadem. Produkt odevzdejte na místo určené pro recyklaci elektrických a elektronických zařízení. Správnou likvidací produktu zabráníte negativním vlivům na lidské zdraví a životní prostředí. Recyklace materiálů přispívá k ochraně přírodních zdrojů. Více informací o recyklaci tohoto produktu Vám poskytne obecní úřad, organizace pro zpracování domovního odpadu nebo prodejní místo, kde jste produkt zakoupili.

Tento výrobek splňuje požadavky směrnice EU o elektromagnetické kompatibilitě a elektrické bezpečnosti.

Návod k obsluze je k dispozici na webových stránkách www.ecg.cz.
Změna textu a technických parametrů vyhrazena.



08/05



Čeština

Čeština	Informační list k přenosným topidlům		
Typ:	ECG HH 2010 (YXC-02R)		
Údaj	Značka	Hodnota	Jednotka
Teplný výkon			
Jmenovitý tepelný výkon	P_{nom}	2,0	kW
Minimální tepelný výkon (orientační)	P_{min}	1,0	kW
Maximální trvalý tepelný výkon	$P_{max,c}$	2,0	kW
Spotřeba pomocné elektrické energie			
Při jmenovitém tepelném výkonu	el_{max}	1,980	kW
Při minimálním tepelném výkonu	el_{min}	0,960	kW
V pohotovostním režimu	el_{sb}	není k dispozici	kW
Pouze u akumulčních elektrických lokálních topidel: typ příjmu tepla (jedna možná hodnota)			
Ruční řízení akumulace tepla s integrovaným termostatem			NE
Ruční řízení akumulace tepla se zpětnou vazbou informující o teplotě v místnosti a/ nebo venkovní teplotě			NE
Elektronické řízení akumulace tepla se zpětnou vazbou informující o teplotě v místnosti a/nebo venkovní teplotě			NE
Výdej tepla s ventilátorem			NE
Typ výdaje tepla/regulace teploty v místnosti (jedna možná hodnota)			
Jeden stupeň tepelného výkonu bez regulace teploty v místnosti			NE
Dva nebo více ručních stupňů, bez regulace teploty v místnosti			NE
S mechanickým termostatem pro regulaci teploty v místnosti			ANO
S elektronickou regulací teploty v místnosti			NE
S elektronickou regulací teploty v místnosti a denním programem			NE
S elektronickou regulací teploty v místnosti a týdenním programem			NE
Další možnosti regulace (více možných hodnot)			
Regulace teploty v místnosti s detekcí přítomnosti osob			NE
Regulace teploty v místnosti s detekcí otevřeného okna			NE
S dálkovým ovládáním			NE
S adaptivně řízeným spuštěním			NE
S omezením doby činnosti			NE
S černým kulovým čidlem			NE



K+B Progres, a.s.
 U Expertu 91 tel.: +420 272 122 111
 250 69 Klíčany e-mail: ECG@kbexpert.cz

Čeština	Informační list k přenosným topidlům		
Typ:	ECG HH 3010 (YXC-03R)		
Údaj	Značka	Hodnota	Jednotka
Teplný výkon			
Jmenovitý tepelný výkon	P_{nom}	3,0	kW
Minimální tepelný výkon (orientační)	P_{min}	1,5	kW
Maximální trvalý tepelný výkon	$P_{max,c}$	3,0	kW
Spotřeba pomocné elektrické energie			
Při jmenovitém tepelném výkonu	el_{max}	2,975	kW
Při minimálním tepelném výkonu	el_{min}	1,445	kW
V pohotovostním režimu	el_{sb}	není k dispozici	kW
Pouze u akumulčních elektrických lokálních topidel: typ příjmu tepla (jedna možná hodnota)			
Ruční řízení akumulace tepla s integrovaným termostatem			NE
Ruční řízení akumulace tepla se zpětnou vazbou informující o teplotě v místnosti a/ nebo venkovní teplotě			NE
Elektronické řízení akumulace tepla se zpětnou vazbou informující o teplotě v místnosti a/nebo venkovní teplotě			NE
Výdej tepla s ventilátorem			NE
Typ výdaje tepla/regulace teploty v místnosti (jedna možná hodnota)			
Jeden stupeň tepelného výkonu bez regulace teploty v místnosti			NE
Dva nebo více ručních stupňů, bez regulace teploty v místnosti			NE
S mechanickým termostatem pro regulaci teploty v místnosti			ANO
S elektronickou regulací teploty v místnosti			NE
S elektronickou regulací teploty v místnosti a denním programem			NE
S elektronickou regulací teploty v místnosti a týdenním programem			NE
Další možnosti regulace (více možných hodnot)			
Regulace teploty v místnosti s detekcí přítomnosti osob			NE
Regulace teploty v místnosti s detekcí otevřeného okna			NE
S dálkovým ovládáním			NE
S adaptivně řízeným spuštěním			NE
S omezením doby činnosti			NE
S černým kulovým čidlem			NE



K+B Progres, a.s.
 U Expertu 91 tel.: +420 272 122 111
 250 69 Klíčany e-mail: ECG@kbexpert.cz

OHUTUSJUHISED

Tutvuge põhjalikult ning säilitage edaspidiseks kasutamiseks!

Hoiatus: Juhendis sisalduvad ohutusabinõud ja juhised ei hõlma kõiki võimalikke tingimusi ja olukordasid. Kasutaja peab teadvustama, et terve mõistus, tähelepanu ja ettevaatus on tegurid, mida ei saa toodetesse integreerida. Seetõttu peab need tegurid tagama seadme kasutaja. Me ei vastutata transportimisel, mittenõuetekohasest kasutamisest, toitepinge kõikumisest või seadme mistahes osade vahetamisest või muutmisest põhjustatud kahjude eest.

Tulekahju või elektrilöögi riski eest kaitseks tuleb elektriseadmete kasutamisel rakendada põhilisi ettevaatusabinõusid, sealhulgas alljärgnevaid:

1. Veenduge, et toitevõrgu pinge vastab seadme andmesildil näidatud pingega ning, et pistikupesa on nõuetekohaselt maandatud. Pistikupesa tuleb paigaldada vastavalt kehtivatele EL elektrieeskirjadele.
2. Ärge kasutage seadet ilma nõuetekohaselt kinnitatud aluseta.
3. Ärge kunagi kasutage seadet, kui selle toitekaabel või mistahes osa on kahjustatud. Kõik remondid, sealhulgas toitejuhtme asendused, teostatakse vastavas teeninduskeskuses! Ärge eemaldage seadme kaitsekatteid, see võib põhjustada elektrilööki!
4. Võimaliku elektrilöögi vältimiseks kaitske seadet otsese kokkupuute eest vee ja muude vedelikega.
5. Ärge kasutage seadet välistingimustes ning niiskes keskkonnas ning ärge puudutage toitejuhet või seadet märgade kätega. Elektrilöögi oht.
6. Seadme kasutamisel laste juuresolekul olge eriti tähelepanelikud!
7. Veenduge, et seade on paigutatud tasasele ja stabiilsele pinnale. Seda seadet ei ole lubatud asetada mööbli peale või kinnitada seinale.

8. Ärge kasutage seadet tuleohtlike esemete läheduses või nende all, näiteks kardinade läheduses. Seadme kasutamise ajal on seadme lähedal asuvate pindade (1 m) temperatuur tavalisest kõrgem. Paigaldage seade nii, et tagada piisav õhuringlus.
9. Ärge paigutage seadet kõrge karvaga vaibale.
10. Ärge paigutage seadet võrgupistikute ette või otse selle alla.
11. Vältige seadme katmist! Kaetud soojapuhur kuumeneb üle ja võib põhjustada tulekahju.
12. Seadet ei ole lubatud ühendada aegrelee kaudu või kaugjuhitava lüliti abil, kuna see võib põhjustada tulekahju, kui seade on kaetud või mittenõuetekohaselt paigaldatud.
13. Ärge kasutage seadet vanni, duši või basseini läheduses ja ärge asetage seadet kohtadesse, kus see võib kukkuda vanni või muu veemahuti sisse!
14. Kui seade eritab ebanormaalselt lõhna või suitsu, siis ühendage seade viivitamatult toitevõrgust lahti ja laske see teeninduskeskuses üle kontrollida.
15. Ärge lülitage seadet välja tõmmates toitejuhtmest. Lülitage kõigepealt välja seadme pealüliti!
16. Enne seadme käsitlemist, teisaldamist või hooldamist ühendage seade alati toitevõrgust lahti.
17. Ärge jätke toitevõrku ühendatud seadet järelevalveta. Enne mistahes hoolduse teostamist ühendage toitejuhe vooluvõrgust lahti. Seadme toitevõrgust lahtiühendamisel ärge tõmmake toitejuhtmest. Toitevõrgust lahtiühendamisel tõmmake pistikust.
18. Ärge laske toitejuhtmel kokku puutuda kuumade pindadega ning ärge jätke seda teravatele servadele.
19. Ärge kasutage seadet kohtades, kus hoitakse tuleohtlikke materjale (värvid, bensiin, lahustid jne.) või kohtades, kuhu võivad sattuda tuleohtlikud aurud.
20. Ärge sisestage sõrmi või muid esemeid seadme avadesse.

21. Ärge katke radiaatori avasid käterätikuga ja ärge kuivatage radiaatoril pesu.
 22. Kasutage seda seadet ainult vastavalt selle kasutusjuhendi juhistele. Valmistaja ei vastuta mittenõuetekohasest kasutamisest põhjustatud kahjustuste eest.
 23. Seade on ette nähtud kasutamiseks ainult koduses majapidamises. Ärge kasutage välistingimustes Ärge kasutage tolmustes keskkondades. Hoida seda kuivana.
 24. See soojapuhur on ettenähtud kasutamiseks ruumidesse, kus ümbritseva keskkonna temperatuur on üle 0 °C.
 25. Seadet on lubatud kasutada üle 8 aasta vanustel lastel ja vähenenud füüsiliste, sensoorsete või vaimsete võimetega isikutel või kogemusteta isikutel, kui nad on järelevalve all või kui neile on selgitatud seadme ohutut kasutamist ning nad on teadlikud seadme kasutamisega seotud potentsiaalsetest riskidest. Ärge lubage lastel seadmega mängida. Hooldust ja puhastamist ei tohi teostada järelevalveta lapsed. Hoidke alla 8-aastased lapsed seadmest ja selle toitejuhtmest eemal.
 - Alla 3 aastased lapsed võivad seadme läheduses olla ainult täiskasvanu järelevalvel.
 - 3 kuni 8 aastased lapsed võivad seadet sisse ja välja lülitada ainult siis, kui see on nõuetekohaselt paigutatud ja ühendatud, kui lapsed on järelevalve all või kui neile on selgitatud seadme ohutut kasutamist ning nad on teadlikud seadme kasutamisega seotud potentsiaalsetest ohtudest. 3 kuni 8 aastastel lastel on keelatud seadme ühendamine toitevõrku, juhtseadiste kasutamine ja seadme puhastamine või hooldamine.
- HOIATUS:** Seadme mõned osad võivad kasutamise ajal olla väga kuumad ja põhjustada põletusi. Laste või vähendatud füüsiliste või vaimsete võimetega isikute juuresolekul peab olema ettevaatlik.

HOIATUS: See soojapuhur ei ole varustatud ruumi temperatuuri mõõtmise seadmega. Ärge kasutage õhusoojendit väikestes ruumides,

milles viibivad isikud, kes ei saa ruumist ilma kõrvalise abita lahkuda, välja arvatud siis, kui nad on järelevalve all.

HOIATUS: Kasutage seadet ainult püstises asendis (alus alumises asendis, juhtseadised üleval). Mistahes muud asendid on ohtlikud.

Do not immerse in water! – Ärge sukeldage vette!

Sellisel viisil märgistatud pind muutub seadme kasutamisel kuumaks. Põletuste oht!



ÄRGE KATKE! Tulekahju oht.



OHT lastele: Ärge lubage lastel mängida pakkematerjalidega.

Ärge lubage lastel mängida plastkottidega. Lämmumise oht.

Paigaldusnõuded

Asetage radiاتور tasasel pinnale, mis tagab piisava vaba ruumi õhu ringluseks. Seadme ja ümbritsevate esemete vahel peab olema vähemalt 1 m vahemaa. Soojapuhurit ei ole lubatud kasutada ilma kinnitatud alusteta.

SEADME KASUTAMINE

Märkus: Esmakordsel sisselülitamisel või sisselülitamisel pärast pikemaajalist seismist võib soojapuhur eritada lõhna või suitsu. See on normaalne ning kaob mõne aja pärast.

See seade kasutab konvektsioonkuumutamise tehnoloogiat koos temperatuuri reguleerimisega. Seade on varustatud ka **TURBO** funktsiooniga (kütmine koos ventilaatori kasutamisega). Termostaati (A) kasutatakse temperatuuri reguleerimiseks. Vajaliku taseme seadistamiseks pöörake toitenuppu:

Lülitage seade sisse juhtnupu B abil ja valige soovitud funktsioon (ventilaator ilma küttega, madala või kõrge võimsusega).

Ruumi kiiremaks kütmiseks soovime termostaadi seadistada maksimaalsele tasemel ja reguleerimisketas pöörata kõige suurema võimsuse asendisse. Pärast soovitud temperatuuri saavutamist keerake termostaati vastupäeva, kuni termostaat välja lülitub. See seadistab temperatuuri, mida seade hoiab automaatselt, kuni te seadme välja lülitate.

Seadme mistahes käsitlemist on lubatud pärast selle väljalülitamist ja toitevõrgust lahtiühendamist.

Seadme väljalülitamine

Kõigepealt viige termostaat "MIN" asendisse ning lüliti "0" asendisse. Seejärel ühendage toitejuhe toitevõrgust lahti!

Seadme mistahes käsitlemist on lubatud pärast selle väljalülitamist ja toitevõrgust lahtiühendamist.

Ülekuumenemise kaitse

Sisemine termokaitse kaitseb soojapuhurit ülekuumenemise eest ja lülitab soojapuhuri automaatselt välja. Sellisel juhul lülitub töötamise märgutuli välja.

Kui seade lülitub välja iseenesest, siis ühendage see toitevõrgust lahti. Pärast mahajahtumist on seade uuesti kasutusvalemis (umbes 15 minuti jooksul). Ühendage toitejuhte seinakontakti.

Kui see olukord kordub, siis veenduge kõigepealt, et termostaadi regulaator on nõuetekohaselt seadistatud ning kas õhuavad ei ole kaetud.

HOOLDAMINE JA PUHASTAMINE

Enne puhastamist eemaldage toitejuhe pistikupesast ning laske seadmel täielikult maha jahtuda. Puhastage seadme välispinda niiske lapiga. Ärge kasutage seadme puhastamiseks teravaid esemeid või abrasiivseid puhastusvahendeid, vastasel juhul võite kahjustada soojapuhuri pinda.

Enne seadme ärapanekut lülitage seade välja, ühendage lahti toitevõrgust ja laske täielikult maha jahtuda.

SEADME HOIUSTAMINE

Kui kavatsete seadet pikema aja jooksul mitte kasutada, siis paigutage see puhtasse ja kuiva asukohta ning kaitske seadet tolmu eest.

TEHNILISED ANDMED

HH 2010

Maksimaalne nimivõimsus: 2000 W

2 võimsustaset: 1000 W ja 2000 W

Sisseehitatud ventilaator

Termostaadi pidev reguleerimine

Ohutuslüli

Vabaltseisev

Nimipinge: 220–240 V~ 50 Hz

Nimivõimsus: 2000 W

HH 3010

Maksimaalne nimivõimsus: 3000 W

2 võimsustaset: 1500 W ja 3000 W

Sisseehitatud ventilaator

Termostaadi pidev reguleerimine

Ohutuslüli

Vabaltseisev

Nimipinge: 220–240 V~ 50 Hz

Nimivõimsus: 3000 W

KASUTAMINE JA KASUTUSEST KÕRVALDAMINE

Pakkepaber ja lainepapp – viige jäätmejaama. Pakkekiled, PE kotid, plastist osad – visake plasti utiliseerimiskonteineritesse.

TOOTE KASUTUSEST KÕRVALDAMINE KASUTUSEA LÕPUS

Elektri- ja elektroonikaseadmete kasutusest kõrvaldamine (kehtib EL-i liikmesriikides ja teistes Euroopa riikides, kus rakendatakse ringlussevõtusüsteemi)

Näidatud sümbol tootel või pakendil tähendab, et toodet ei tohiks käidelda nagu olmejäätmeid. Viige toode elektri- ja elektroonikaseadmetele ettenähtud ringlussevõtupunkti. Vältige võimalikke negatiivseid mõjusid inimese tervisele ja keskkonnale, tagades oma tootele nõuetekohase ringlussevõtu. Ringlussevõtt aitab säilitada loodusvarasid. Lisateavet selle toote ringlussevõtu kohta saate oma kohalikust omavalitsusest, olmejäätmete käitlemise ettevõttest või poest, kust te toote ostsite.

See toode vastab Euroopa Liidu elektromagnetilise ühilduvuse ja elektriohutuse direktiivi nõuetele.

Kasutusjuhend on kättesaadav veebisaidil www.ecg.cz.

Teksti ja tehniliste parameetrite muutmise õigused on kaitstud.



08/05



Eesti keel

Eesti keel		Infoleht kaasaskantavatele kütteseadmetele		
Tüüp:		ECG HH 2010 (YXC-02R)		
Parameeter	Kaubamärk	Väärtus	Ühik	
Soojusvõimsus				
Nimisoojusvõimsus	P_{nom}	2,0	kW	
Minimaalne soojusvõimsus (indikatiivne)	P_{min}	1,0	kW	
Maksimaalne pidev soojusvõimsus	$P_{max,c}$	2,0	kW	
Täiendav elektritarve				
Nimisoojusvõimsusel	el_{max}	1,980	kW	
Minimaalsel soojusvõimsusel	el_{min}	0,960	kW	
Ooterežiimis	el_{sb}	Andmed puuduvad		kW
Soojusvõimsuse tüüp, ainult elektrilistele soojapuhuritele (valige üks)				
Käsitsi soojuskoormuse reguleerimine, koos integreeritud termostaadiga			EI	
Käsitsi soojuskoormuse reguleerimine koos ruumi ja/või välistemperatuuri tagasisidega			EI	
Elektrooniline soojuskoormuse reguleerimine koos ruumi ja/või välistemperatuuri tagasisidega			EI	
Soojusvõimsus, ventilaatori abiga			EI	
Soojusvõimsuse/ruumi temperatuuri reguleerimine (valige üks)				
Üheastmeline soojuskoormuse reguleerimine ilma ruumi temperatuuri reguleerimiseta			EI	
Kaks või enam käsitsi astet, ilma ruumi temperatuuri reguleerimiseta			EI	
Ruumi temperatuuri reguleerimine mehaanilise termostaadiga			JAH	
Ruumi temperatuuri elektrooniline reguleerimine			EI	
Ruumi temperatuuri elektrooniline reguleerimine pluss päeva taimer			EI	
Ruumi temperatuuri elektrooniline reguleerimine pluss nädala taimer			EI	
Muud reguleerimisvõimalused (mitme valiku võimalus)				
Ruumi temperatuuri reguleerimine koos kohaloleku tuvastamisega			EI	
Ruumi temperatuuri reguleerimine koos avatud akna tuvastamisega			EI	
Koos kaugjuhtimise võimalusega			EI	
Koos adaptiivkäivituse reguleerimisega			EI	
Koos tööaja piiramisega			EI	
Koos musta valguse anduriga			EI	

Eesti keel	Infoleht kaasaskantavatele kütteseadmetele		
Tüüp:	ECG HH 3010 (YXC-03R)		
Parameeter	Kaubamärk	Väärtus	Ühik
Soojusvõimsus			
Nimisoojusvõimsus	P_{nom}	3,0	kW
Minimaalne soojusvõimsus (indikatiivne)	P_{min}	1,5	kW
Maksimaalne pidev soojusvõimsus	$P_{max,c}$	3,0	kW
Täiendav elektritarve			
Nimisoojusvõimsusel	el_{max}	2,975	kW
Minimaalsel soojusvõimsusel	el_{min}	1,445	kW
Ooterežiimis	el_{sb}	Andmed puuduvad	kW
Soojusvõimsuse tüüp, ainult elektrilistele soojapuhuritele (valige üks)			
Käsitsi soojuskoormuse reguleerimine, koos integreeritud termostaadiga			EI
Käsitsi soojuskoormuse reguleerimine koos ruumi ja/või välistemperatuuri tagasisidega			EI
Elektrooniline soojuskoormuse reguleerimine koos ruumi ja/või välistemperatuuri tagasisidega			EI
Soojusvõimsus, ventilaatori abiga			EI
Soojusvõimsuse/ruumi temperatuuri reguleerimine (valige üks)			
Üheastmeline soojuskoormuse reguleerimine ilma ruumi temperatuuri reguleerimiseta			EI
Kaks või enam käsitsi astet, ilma ruumi temperatuuri reguleerimiseta			EI
Ruumi temperatuuri reguleerimine mehaanilise termostaadiga			JAH
Ruumi temperatuuri elektrooniline reguleerimine			EI
Ruumi temperatuuri elektrooniline reguleerimine pluss päeva taimer			EI
Ruumi temperatuuri elektrooniline reguleerimine pluss nädala taimer			EI
Muud reguleerimisvõimalused (mitme valiku võimalus)			
Ruumi temperatuuri reguleerimine koos kohaloleku tuvastamisega			EI
Ruumi temperatuuri reguleerimine koos avatud akna tuvastamisega			EI
Koos kaugjuhtimise võimalusega			EI
Koos adaptiivkäivituse reguleerimisega			EI
Koos tööaja piiramisega			EI
Koos musta valguse anduriga			EI

SIGURNOSNE UPUTE

Pročitajte pažljivo i sačuvajte za buduću uporabu!

Pozor: Mjere opreza i upute ne pokrivaju sve moguće uvjete i opasnosti do kojih može doći. Korisnik treba biti svjestan da faktore sigurnosti, kao što su oprezno, brižno i razumno rukovanje, nije moguće ugraditi u proizvod. Zbog toga sâm korisnik ovog uređaja treba osigurati prisutnost tih sigurnosnih faktora. Nismo odgovorni za štete nastale prijevozom, nepravilnim korištenjem, promjenama napona te modificiranjem ili zamjenom bilo kojeg dijela uređaja.

Kako ne bi došlo do požara ili ozljede od udara električne struje, pri uporabi električnih uređaja uvijek se trebaju poštovati temeljne sigurnosne upute među kojima su i sljedeće:

1. Provjerite odgovara li napon struje na vašoj utičnici onomu koji je naveden na pločici vašeg uređaja, te je li utičnica pravilno uzemljena. Utičnica mora biti ugrađena prema zahtjevima nacionalnih elektrotehničkih normi.
2. Uređaj nemojte koristiti bez pravilno pričvršćenog postolja.
3. Nikada nemojte koristiti uređaj ako je oštećen kabel za napajanje ili bilo koji drugi dio uređaja. Bilo kakav popravak, što se odnosi i na zamjenu kabela, mora biti povjeren stručnom servisu! Ne skidajte sigurnosni poklopac uređaja kako ne bi došlo do opasnosti od električnog udara!
4. Uređaj zaštitite od doticaja s vodom ili drugim tekućinama kako ne bi došlo do električnog udara.
5. Nemojte koristiti uređaj na otvorenom ili u vlažnom okruženju, niti dodirivati kabel za napajanje ili uređaj mokrim rukama. Postoji opasnost od električnog udara.
6. Budite posebno pažljivi nalaze li se djeca u blizini dok koristite uređaj!
7. Osigurajte da je uređaj postavljen na ravnu i stabilnu površinu. Ovaj uređaj se ne smije postavljati na namještaj niti montirati na zid.

8. Ne upotrebljavajte uređaj u blizini ili ispod zapaljivih predmeta, poput zavjesa. Temperatura površina u blizini uređaja (1 m) može biti viša od uobičajene kada uređaj radi. Postavite uređaj tako da postoji dovoljna cirkulacija zraka.
9. Ne postavljajte uređaj na tepihe s dugačkim vlaknima.
10. Uređaj nemojte stavljati ispred ili neposredno ispod električne utičnice.
11. Nikada ne prekrivajte uređaj! Bude li grijalica prekrivena, moguće je da će doći do pregrijavanja ili požara.
12. Uređaj se ne smije priključiti na električnu mrežu pomoću timera ili prekidača koji je udaljen od napajanja, jer postoji opasnost od požara.
13. Aparat nemojte koristiti u neposrednoj blizini kade, tuša ili bazena i ne postavljajte ga na mjesta na kojima postoji opasnost od pada u kadu ili drugu posudu s vodom!
14. Ako se iz uređaja osjeti neobičan miris ili izlazi dim, uređaj odmah isključite i nazovite servis.
15. Uređaj nemojte isključivati jednostavnim izvlačenjem utikača iz utičnice. Uvijek prvo isključite glavni prekidač uređaja!
16. Uvijek isključite uređaj iz utičnice prije rukovanja, nošenja ili održavanja.
17. Ne ostavljajte uređaj s napojnim kabelom uključenim u struju bez nadzora. Prije svakog postupka održavanja isključite kabel napajanja iz mreže. Utikač nemojte izvlačiti iz utičnice povlačenjem za kabel. Kabel odspojite iz mreže tako što ćete primiti utikač i izvući ga.
18. Kabel se mora pružati tako da ne dolazi u dodir s vrućim predmetima i ne prolazi duž oštih rubova.
19. Ne upotrebljavajte uređaj na mjestima gdje se čuvaju zapaljive tvari (boje, benzin, otapala itd.) Ili tamo gdje postoji opasnost od zapaljivih para.
20. U otvore uređaja nemojte stavljati prste niti bilo kakve druge predmete.

21. Ne pokrivajte izlazni otvor npr. ručnikom, ili prilikom sušenja bilo kojeg drugog rublja.

22. Uređaj koristite samo u skladu s uputama u ovom priručniku. Proizvođač nije odgovoran za štete nastale nepravilnim korištenjem.

23. Uređaj je isključivo namijenjen za uporabu u kućanstvu. Ne koristite ga na otvorenom. Ne koristite ga u okruženju gdje ima prašine. Držite ga na suhom.

24. Ovaj grijač dizajniran je za prostorije u kojima je temperatura okoline iznad 0 °C.

25. Djeca starosti od 8 godina i više, osobe smanjenih fizičkih ili umnih sposobnosti ili osobe s nedostatkom iskustva smiju koristiti ovaj uređaj samo ako su pod nadzorom ili ih je iskusnija osoba uputila u siguran način korištenja te razumiju sve opasnosti povezane s tim korištenjem. Djeca se ne smiju igrati ovim uređajem. Poslovi čišćenja i održavanja koje obavlja korisnik ne smiju se povjeriti djeci bez nadzora. Djeca mlađa od 8 godina moraju se držati podalje od uređaja i izvora napajanja.

- Djeca mlađa od 3 godine ne smiju biti u blizini uređaja, osim ako su pod stalnim nadzorom.

- Djeca starosti od 3 do 8 godina smiju uređaj uključivati i isključivati samo ako je on pravilno smješten i ugrađen na svoje odgovarajuće mjesto za rad i ako su djeca upućena u pravilno rukovanje uređajem, pod stalnim su nadzorom i objašnjene su im opasnosti koje se mogu javiti. Djeca u dobi od 3 do 8 godina ne smiju uključivati uređaj, podešavati uređaj, čistiti ga ili obavljati održavanje koje inače obavlja korisnik.

UPOZORENJE: Neki dijelovi uređaja mogu za vrijeme rada biti vrlo vrući i mogu izazvati opekline. Nužno je posvetiti posebnu pažnju u slučaju prisustva djece ili osoba sa smanjenim tjelesnim ili umnim sposobnostima.

POZOR: Ovaj grijač nije opremljen uređajem za kontrolu sobne temperature. Grijalicu nemojte koristiti u skućenim prostorima u kojima

se nalaze osobe koje se ne mogu same kretati ako im nije osiguran stalni nadzor.

POZOR: Uvijek koristite grijač u okomitom položaju (dno dolje, kontrole gore). Rad u bilo kojem drugom položaju je izvor opasnosti.

Do not immerse in water! – Nemojte uranjati u vodu!

Ovako označene površine tijekom uporabe postaju vruće. Opasnost od opekotina!



NEMOJTE POKRIVATI! Opasnost od požara.



OPASNOSTI po djecu: Djeca se ne smiju igrati ambalažnim materijalom. Nemojte dopustiti djeci da se igraju plastičnim vrećicama. Postoji opasnost od gušenja.

Smještaj uređaja

Postavite radijator na ravnu površinu, na mjesto na kojem je osigurano dovoljno prostora za pravilan rad ventilacijskih otvora. Udaljenost između uređaja i okolnih predmeta mora biti najmanje 1 m. Grijač ne smije raditi bez ugrađenog postolja.

UPUTE ZA UPORABU

Napomena: Kod prvog uključivanja, ili nakon uključivanja poslije duljeg vremena u kojem grijalica nije radila, moguće je da će grijači ispuštati blagi miris ili dim. To je normalna pojava i ona prestane nakon nekog vremena.

Ovaj uređaj koristi tehnologiju vrućeg zraka s mogućnošću regulacije temperature. Ima funkciju **TURBO** (korištenje grijanja uz ventilaciju). Termostat (A) služi za regulaciju temperature. Okretanjem termostata možete postaviti željenu jačinu zagrijavanja.

Upotrijebite kontrolu B za uključivanje uređaja i odabir željene funkcije (ventilator bez grijanja, niska ili visoka snaga).

Za brže zagrijavanje prostorije preporučujemo podešavanje termostata na maksimum, a izbornika na visoku snagu. Čim se postigne željena temperatura, okrećite termostat suprotno od smjera kazaljke na satu sve dok se termostat ne isključi. Tako se postavlja temperatura koju će uređaj automatski održavati sve dok ga ne isključite.

Manipulacije uređajem dopuštene su isključivo ako je isključen glavnom sklopkom i odvojen od strujne mreže.

Isključivanje uređaja

Prvo postavite kontrole termostata u položaj "MIN", a prekidač za napajanje u položaj "0". Nakon toga uvijek isključite kabel napajanja iz mreže!

Bilo koji zahvat na uređaju smije se poduzeti isključivo nakon što je uređaj isključen, a kabel za napajanje isključen iz električne mreže.

Zaštita od pregrijavanja

Unutarnji temperaturni osigurač štiti grijač od pregrijavanja i automatski ga isključuje. Ujedno se i isključuje žaruljica pokazivača rada uređaja.

Ako se uređaj sam isključi, odspojite kabel za napajanje od električne mreže. Nakon što se uređaj ohladi (traje oko 15 minuta), spreman je za ponovnu uporabu. Uključite ponovno kabel za napajanje u električnu utičnicu.

Ako se to bude događalo bez vidljivog uzroka, prvo provjerite je li regulator temperature pravilno postavljen, a zatim i jesu li otvori za ventilaciju slobodni.

ČIŠĆENJE I ODRŽAVANJE

Prije čišćenja, uvijek isključite mrežni kabel i pričekajte da se uređaj u potpunosti ohladi. Očistite vanjsku stranu uređaja vlažnom krpom. Za čišćenje nemojte koristiti oštre predmete ili abrazivna sredstva, jer to može oštetiti površinu uređaja.

Uređaj možete pohraniti tek nakon što je glavni prekidač pravilno isključen, odspojen od mreže i nakon što se potpuno ohladi.

SKLADIŠTENJE UREĐAJA

Ako uređaj nećete upotrebljavati dulje vrijeme, spremite ga na čisto i suho mjesto i zaštitite od prašine.

TEHNIČKI PODACI

HH 2010

Najveća snaga: 2000 W

2 razine snage: 1000 W i 2000 W

Ugrađeni ventilator

Kontinuirano podesivi termostat

Toplinski osigurač

Slobodno stojeći

Nazivni napon: 220–240 V~ 50 Hz

Nazivna snaga: 2000 W

HH 3010

Najveća snaga: 3000 W

2 razine snage: 1500 W i 3000 W

Ugrađeni ventilator

Kontinuirano podesivi termostat

Toplinski osigurač

Slobodno stojeći

Nazivni napon: 220–240 V~ 50 Hz

Nazivna snaga: 3000 W

OPORABA I ZBRINJAVANJE OTPADA

Papirni otpad i kartonsku ambalažu predajte u reciklažna dvorišta. Foliju za pakiranje, vrećice od polietilena i plastične dijelove odložite u kontejnere za plastiku.

ODLAGANJE PROIZVODA NAKON ISTEKA RADNOG VIJEKA

Odlaganje otpada električne i elektroničke opreme (primjenjivo u državama članicama EU i drugim europskim zemljama koje su uspostavile sustave razvrstavanja otpada)

Oznaka koja je navedena na proizvodu ili na ambalaži označava da se proizvod ne smije zbrinjavati kao kućni otpad. Proizvod odložite na mjesto određeno za recikliranje električne i elektroničke opreme. Ispravnim odlaganjem proizvoda sprječavate negativne utjecaje na zdravlje ljudi i okoliš. Reciklažom materijala pomažete očuvanje prirodnih resursa. Dodatne informacije o recikliranju ovog proizvoda pružit će vam lokalne vlasti, organizacija za preradu kućnog otpada ili prodajno mjestu na kojem ste kupili proizvod.

Ovaj proizvod je usklađen s direktivama EU o elektromagnetskoj kompatibilnosti i električnoj sigurnosti.

Upute za uporabu dostupne su na web stranici www.ecg.cz
Pravo na izmjenu teksta i tehničkih parametara je pridržano.



08/05



Hrvatski
Bosanski

Hrvatski	Informativni list za prijenosne grijače		
Tip:	ECG HH 2010 (YXC-02R)		
Podatak	Marka	Vrijednost	Jedinica
Toplinska snaga			
Nazivna toplinska snaga	P_{nom}	2,0	kW
Minimalna toplinska snaga (referentna)	P_{min}	1,0	kW
Maksimalna kontinuirana toplinska snaga	$P_{max,c}$	2,0	kW
Potrošnja pomoćna električne energije			
Pri nazivnoj toplinskoj snazi	el_{max}	1,980	kW
Pri minimalnoj toplinskoj snazi	el_{min}	0,960	kW
U stanju pripravnosti	el_{sb}	Nije dostupno	kW
Samo kod akumulacijskih električnih lokalnih grijalica: vrsta prijema topline (jedna moguća vrijednost)			
Ručna kontrola akumulacije topline s integriranim termostatom			NE
Ručna kontrola akumulacije topline s povratnim informacijama o sobnoj temperaturi i / ili vanjskoj temperaturi			NE
Elektronička kontrola akumulacije topline s povratnim informacijama o sobnoj temperaturi i / ili vanjskoj temperaturi			NE
Izlaz topline s ventilatorom			NE
Vrsta izlaza topline / regulacija sobne temperature (jedna moguća vrijednost)			
Jedna razina topline bez regulacije sobne temperature			NE
Dva ili više ručnih stupnjeva, bez regulacije sobne temperature			NE
S mehaničkim termostatom za kontrolu sobne temperature			DA
S elektroničkom kontrolom sobne temperature			NE
S elektroničkom kontrolom sobne temperature i dnevnim programom			NE
S elektroničkom kontrolom sobne temperature i tjednim programom			NE
Druge mogućnosti regulacije (moguć odabir više opcija)			
Kontrola sobne temperature s otkrivanjem prisutnosti osoba			NE
Kontrola sobne temperature s detekcijom otvorenog prozora			NE
S mogućnošću regulacije na daljinu			NE
S prilagodljivim pokretanjem regulacije			NE
S ograničenjem vremena rada			NE
S osjetnikom s crnom žaruljom			NE

Hrvatski	Informativni list za prijenosne grijače		
Tip:	ECG HH 3010 (YXC-03R)		
Podatak	Marka	Vrijednost	Jedinica
Toplinska snaga			
Nazivna toplinska snaga	P_{nom}	3,0	kW
Minimalna toplinska snaga (referentna)	P_{min}	1,5	kW
Maksimalna kontinuirana toplinska snaga	$P_{max,c}$	3,0	kW
Potrošnja pomoćna električne energije			
Pri nazivnoj toplinskoj snazi	el_{max}	2,975	kW
Pri minimalnoj toplinskoj snazi	el_{min}	1,445	kW
U stanju pripravnosti	el_{sp}	Nije dostupno	kW
Samo kod akumulacijskih električnih lokalnih grijalica: vrsta prijema topline (jedna moguća vrijednost)			
Ručna kontrola akumulacije topline s integriranim termostatom			NE
Ručna kontrola akumulacije topline s povratnim informacijama o sobnoj temperaturi i / ili vanjskoj temperaturi			NE
Elektronička kontrola akumulacije topline s povratnim informacijama o sobnoj temperaturi i / ili vanjskoj temperaturi			NE
Izlaz topline s ventilatorom			NE
Vrsta izlaza topline / regulacija sobne temperature (jedna moguća vrijednost)			
Jedna razina topline bez regulacije sobne temperature			NE
Dva ili više ručnih stupnjeva, bez regulacije sobne temperature			NE
S mehaničkim termostatom za kontrolu sobne temperature			DA
S elektroničkom kontrolom sobne temperature			NE
S elektroničkom kontrolom sobne temperature i dnevnim programom			NE
S elektroničkom kontrolom sobne temperature i tjednim programom			NE
Druge mogućnosti regulacije (moguć odabir više opcija)			
Kontrola sobne temperature s otkrivanjem prisutnosti osoba			NE
Kontrola sobne temperature s detekcijom otvorenog prozora			NE
S mogućnošću regulacije na daljinu			NE
S prilagodljivim pokretanjem regulacije			NE
S ograničenjem vremena rada			NE
S osjetnikom s crnom žaruljom			NE

DROŠĪBAS INSTRUKCIJAS

Rūpīgi izlasiet un saglabāiet turpmākai uzziņai!

Bridinājums! Šajā rokasgrāmatā aprakstītie drošības pasākumi un norādījumi neietver visas iespējamās situācijas un apstākļus. Lietotājam ir jāsaprot, ka veselais saprāts, piesardzība un rūpība ir faktori, ko nevienā ierīcē nav iespējams integrēt. Par tiem ir jāparūpējas ierīces lietotājiem. Mēs neesam atbildīgi par bojājumiem, kas radušies pārvadāšanas laikā, vai ko izraisījusi nepareiza lietošana, sprieguma svārstības vai jebkuras ierīces daļas modificēšana vai regulēšana.

Lai aizsargātu elektriskas ierīces pret aizdegšanās vai strāvas trieciena risku, ir jāievēro pamata drošības pasākumi, tostarp šādi:

1. Pārlicinieties, ka jūsu rozetes spriegums atbilst uz ierīces marķējuma norādītajam, un ka rozete ir atbilstoši iezemēta. Rozetei ir jābūt uzstādītai saskaņā ar attiecināmajiem EN elektrības kodeksiem.
2. Neizmantojiet ierīci bez kārtīgi piestiprinātas pamatnes.
3. Neizmantojiet ierīci, ja tā barošanas vads vai kāda daļa ir bojāta. Visi remontdarbi, tostarp vada nomaiņa, ir jāveic profesionālā apkopes centrā! Nenoņemiet ierīces aizsargvākus – strāvas trieciena risks!
4. Aizsargājiet ierīci pret tiešu saskari ar ūdeni un citiem šķidrumiem, lai nepieļautu strāvas trieciena radītas traumas.
5. Neizmantojiet ierīci ārpus telpām vai mitrā vidē, un nepieskarieties ierīcei vai barošanas vadam ar slapjām rokām. Strāvas trieciena risks.
6. Darbinot ierīci bērnu tuvumā, nepieciešama rūpīga uzraudzība!
7. Pārlicinieties, ka ierīce ir novietota uz līdzenas un stabilas virsmas. Šo aprīkojumu nedrīkst novietot uz mēbelēm, kā arī uzstādīt pie sienas.
8. Neizmantojiet ierīci viegli uzliesmojošu priekšmetu tuvumā vai zem tiem, piem., aizkaru tuvumā. Virsmu temperatūra ierīces tuvumā (1 m), kamēr tas darbojas, var būt augstāka nekā parasti. Novietojiet ierīci tā, lai tiktu nodrošināta pietiekama gaisa cirkulācija.
9. Nenovietojiet ierīci uz teksturēta paklāja.

10. Nenovietojiet ierīci pretī sienas rozetei vai tieši zem tās.
11. Nekādā gadījumā nepārklājiet ierīci! Apklāšanas gadījumā pastāv pārkaršanas un aizdegšanās risks.
12. Ierīci nedrīkst pieslēgt elektrotīklam, izmantojot taimeru vai pagarinātāju, jo tas var izraisīt aizdegšanos, pieslēdzot nasegtu vai nepareizi novietotu ierīci, izmantojot pagarinātāju.
13. Neizmantojiet ierīci vannas, dušas vai peldbaseina tuvumā, kā arī novietojiet to vietās, kur tā varētu iekrist vannā vai citā ūdens tvertnē!
14. Ja ierīce izdala netipisku aromātu vai dūmus, nekavējoties atvienojiet to no elektrotīkla un nododiet pārbaudei servisa centrā.
15. Neizslēdziet ierīci, raujot aiz barošanas vada. Vienmēr vispirms izslēdziet ierīces ieslēgšanas/izslēgšanas slēdzi!
16. Vienmēr atvienojiet ierīci no barošanas pirms apiešanās ar to, tās nešanas un apkopes.
17. Neatstājiet bez uzraudzības ierīci, kas pievienota rozetei. Pirms apkopes veikšanas atvienojiet barošanas vadu no rozetes. Neatvienojiet ierīci no sienas rozetes, raujot aiz barošanas vada. Atvienojiet vadu, satverot kontaktdakšu.
18. Neļaujiet barošanas vadam pieskarties karstām virsmām, un neļaujiet tam iet pār asām malām.
19. Neizmantojiet ierīci vietās, kur tiek uzglabāti uzliesmojoši materiāli (krāsa, benzīns, šķīdinātājs u.c.) vai kur var rasties uzliesmojoši dūmi.
20. Neievietojiet nekādus priekšmetus vai pirkstus ierīces spraugās.
21. Nenosedziet spraugas ar dvieli, piemēram, žāvējot veļu.
22. Izmantojiet ierīci tikai saskaņā ar šajā rokasgrāmatā sniegtajām instrukcijām. Ražotājs nav atbildīgs par bojājumiem, kas radušies, ierīci lietojot neatbilstoši.
23. Šī ierīce ir paredzēta tikai mājas lietošanai. Neizmantojiet ārpus telpām. Neizmantojiet putekļainā vidē. Uzturiet to sausu.
24. Šis sildītājs ir paredzēts telpām, kur temperatūra ir virs 0°C.

25. Ierīci drīkst lietot bērni no 8 gadu vecuma un cilvēki, kam ir mazinātas fiziskās vai garīgās spējas vai trūkst pieredzes un zināšanu, ja tiem tiek nodrošināta uzraudzība vai ir sniegtas instrukcijas par ierīces drošu lietošanu un tie saprot iespējamās briesmas. Bērni nedrīkst ar ierīci spēlēties. Ierīces tīrīšanu un apkopi nedrīkst veikt bērni bez pieskatīšanas. Nodrošiniet, ka bērni, kas jaunāki par 8 gadiem, nevar piekļūt ierīcei un tās barošanas vadam.

- Bērni, kas jaunāki par 3 gadiem, nedrīkst atrasties ierīces tuvumā, ja vien netiek visu laiku uzmanīti.
- Bērni vecumā no 3 līdz 8 gadiem drīkst ieslēgt un izslēgt ierīci tikai, ja tā ir kārtīgi novietota un uzstādīta pareizā pozīcijā, ja bērni tiek uzraudzīti vai ir apmācīti par drošu ierīces izmantošanu un apzinās iespējamās briesmas. Bērni vecumā no 3 līdz 8 gadiem nedrīkst pievienot to sienas rozetei, regulēt vadības slēdžus, tīriet to un veikt tās apkopi.

BRĪDINĀJUMS! Dažas ierīces daļas var sakarst darbības laikā un radīt apdegumus. Jābūt piesardzīgam bērnu vai cilvēku ar fiziskiem vai garīgiem traucējumiem tuvumā.

BRĪDINĀJUMS! Šis sildītājs nav aprīkots ar ierīci istabas temperatūras mērīšanai. Nelietojiet sildītāju mazās telpās, kurās uzturas cilvēki, kas paši nespēj telpu atstāt, ja vien nav pieejama atbilstoša uzraudzība.

BRĪDINĀJUMS! Vienmēr izmantojiet ierīci stāvus (pamatne uz zemes, vadības pogas augšpusē). Citas pozīcijas ir bīstamas.

Do not immerse in water! – Neiegremdējiet ūdenī!

**Šādi atzīmētās virsmas lietošanas laikā sakarst.
Apdedzināšanās risks!**



NEAPSEGT! Aizdegšanās risks.



BRIESMAS bērniem: bērni nedrīkst spēlēties ar iepakojuma materiālu. Neļaujiet bērniem spēlēties ar plastmasas maisiem. Nosmakšanas risks.

Uzstādīšanas prasības

Novietojiet radiatoru uz līdzenas virsmas, kur ir pietiekoši daudz brīvas vietas vntilācijai. No ierīces līdz tuvumā esošajiem objektiem jābūt vismaz 1 m attālumam. Sildītāju nedrīkst izmantot bez pievienotas pamatnes.

IERĪCES LIETOŠANA

Piezīme: ieslēdzot sildītāju pirmo reizi vai pēc ilgstošāka nelietošanas perioda, tas var izdalīt aromātu vai dūmus. Tas ir normāli un pazudīs pēc neliela brīža.

Šī ierīce izmanto konvekcijas sildīšanas tehnoloģiju ar temperatūras kontroli. Tā ir aprīkota ar funkciju **TURBO** (sildīšana kopā ar ventilatoru) Termostata kontrole (A) tiek izmantota, lai regulētu temperatūru. Griežiet jaudas vadības slēdzi, lai iestatītu vēlamo līmeni:

Ieslēdziet ierīci ar B vadības slēdzi un izvēlieties vēlamo funkciju (ventilators bez sildīšanas, maza vai liela jauda).

Lai ātrāk uzsildītu istabu, mēs iesakām iestatīt termostatu uz maksimumu un regulatoru uz augstu jaudu. Tiklīdz ir sasniegta vēlamā temperatūra, pagrieziet termostatu pretēji pulksteņrādītāja kustības virzienam, līdz termostats izslēdzas. Tas iestata temperatūru, kuru ierīce automātiski uzturēs, līdz jūs to izslēgsiet.

Jebkādu apiešanos ar ierīci drīkst veikt tikai tad, kad tā ir izslēgta ar galveno slēdzi un atvienota no sienas rozetes.

Ierīces izslēgšana

Vispirms, iestatiet termostata regulatoru pozīcijā "MIN" un slēdzi pozīcijā "0". Pēc tam vienkārši atvienojiet barošanas vadu no rozetes!

Jebkādus darbus ar ierīci drīkst veikt tikai tad, ja slēdži ir izslēgti un ierīce ir atvienota no sienas rozetes.

Aizsardzība pret pārkaršanu

Iekšējais termālais drošinātājs aizsargā sildītāju no pārkaršanas un izslēdz to automātiski. Šādā gadījumā darbības indikators nodziest.

Ja ierīce pati izslēdzas, atvienojiet to no sienas rozetes. Ierīci atkal drīkst izmantot, kad tā ir atdzisusi (apmēram pēc 15 minūtēm). Iespraudiet ierīces barošanas vadu atpakaļ sienas rozetē.

Ja tas atkārtojas, vispirms pārbaudiet, vai termostata regulators ir pareizi iestatīts un ventilācijas atveres nav nosēgtas.

TĪRĪŠANA UN APKOPE

Vienmēr pirms ierīces tīrīšanas atvienojiet barošanas vadu no rozetes un pagaidiet, līdz ierīce pilnībā atdziest. Ierīces ārējo virsmu tīriet ar mitru drānu. Neizmantojiet asus vai abrazīvus līdzekļus ierīces tīrīšanai; tie var sabojāt tās virsmu.

Ierīci var nolikt uz glabāšanu tikai pēc galvenā slēdža izslēgšanas, atvienošanas no sienas rozetes un pilnīgas atdzišanas.

IERĪCES UZGLABĀŠANA

Ja neizmantosiet ierīci ilgāku laiku, tā jāuzglabā tīrā un sausā vietā bez putekļiem.

TEHNISKĀ INFORMĀCIJA

HH 2010

Maks. ieejas jauda: 2000 W

2 jaudas līmeņi: 1000 W un 2000 W

Iebūvēts ventilators

Plūstoša termostata regulēšana

Drošības atslēgšanas slēdzis

Brīvi stāvoša

Nominālais spriegums: 220–240 V~ 50 Hz

Nominālā ieejas jauda: 2000 W

HH 3010

Maks. ieejas jauda: 3000 W

2 jaudas līmeņi: 1500 W un 3000 W

Iebūvēts ventilators

Plūstoša termostata regulēšana

Drošības atslēgšanas slēdzis

Brīvi stāvoša

Nominālais spriegums: 220–240 V~ 50 Hz

Nominālā ieejas jauda: 3000 W

ATBRĪVOŠANĀS NO ATKRITUMIEM

Ietinamais papīrs un kartons – nogādāt pārstrādes punktā. Iepakojuma folija, PE maisi, plastmasas daļas – iemest plastmasas šķirošanas konteineros.

ATBRĪVOŠANĀS NO IERĪCES KALPOŠANAS LAIKA BEIGĀS

Atbrīvošanās no elektriska un elektroniska aprīkojuma (attiecas uz ES dalībvalstīm un citām Eiropas valstīm, kur ieviesta pārstrādes sistēma)

Norādītais simbols uz ierīces vai iepakojuma nozīmē, ka ierīci nedrīkst pievienot sadzīves atkritumiem. Nododiet ierīci norādītajā elektriska un elektroniska aprīkojuma pārstrādes punktā. Novērsiet negatīvu ietekmi uz veselību un vidi, parūpējoties par ierīces pareizu pārstrādi. Pārstrāde palīdz taupīt dabas resursus. Lai saņemtu plašāku informāciju par šīs ierīces pārstrādi, sazinieties ar vietējo atbildīgo iestādi, sadzīves atkritumu apstrādes organizāciju vai veikalu, kur ierīci iegādājāties.

Šī ierīce atbilst ES direktīvu prasībām par elektromagnētisko saderību un elektrisko drošību.

Instrukciju rokasgrāmata ir pieejama vietnē www.ecg.cz.

Tiek paturētas tiesības veikt teksta un tehnisko parametru izmaiņas.



08/05



Latviešu valoda	Informācijas lapa pārvietojamiem sildītājiem		
Tips:	ECG HH 2010 (YXC-02R)		
Elements	Zīmols	Vērtība	Vienība
Siltuma jauda			
Nominālā siltuma jauda	P_{nom}	2,0	kW
Minimālā siltuma jauda (indikatīvi)	P_{min}	1,0	kW
Maksimālā nepārtrauktā siltuma jauda	$P_{max,c}$	2,0	kW
Papildu elektroenerģijas patēriņš			
Pie nominālās siltuma jaudas	eI_{max}	1,980	kW
Pie minimālās siltuma jaudas	eI_{min}	0,960	kW
Gaidstāves režīmā	eI_{sb}	Neattiecas	kW
Siltuma pievades tips, tikai elektriskajiem siltumakumulācijas lokālajiem telpu sildītājiem (izvēlēties vienu)			
Manuāls siltumpadeves regulators ar integrētu termostatu	NĒ		
Manuāls siltumpadeves regulators ar informācijas pievadi par telpas un/vai ārtelpu temperatūru	NĒ		
Elektronisks siltumpadeves regulators ar informācijas pievadi par telpas un/vai ārtelpu temperatūru	NĒ		
Siltuma jaudas regulēšana ar ventilatoru	NĒ		
Siltuma jaudas/telpas temperatūras regulēšanas tips (izvēlēties vienu)			
Vienpakāpes siltuma jauda bez telpas temperatūras regulēšanas	NĒ		
manuāla divpakāpju vai daudzpakāpju siltuma jauda bez telpas temperatūras regulēšanas	NĒ		
Ar mehānisku termostatu un telpas temperatūras regulēšanu	JĀ		
Ar elektronisku telpas temperatūras regulēšanu	NĒ		
Ar elektronisku telpas temperatūras regulēšanu un diennakts taimerī	NĒ		
Ar elektronisku telpas temperatūras regulēšanu un nedēļas taimerī	NĒ		
Citi vadības veidi (var izvēlēties vairākus)			
Telpas temperatūras regulēšana ar klātbūtnes detektēšanu	NĒ		
Telpas temperatūras regulēšana ar atvērta loga detektēšanu	NĒ		
Ar tālvadības funkciju	NĒ		
Ar adaptīvu palaišanas vadību	NĒ		
Ar darbības laika ierobežojumu	NĒ		
Ar siltuma starojuma sensoru melnas lodes formā	NĒ		

Latviešu valoda	Informācijas lapa pārvietojamiem sildītājiem		
Tips:	ECG HH 3010 (YXC-03R)		
Elements	Zīmols	Vērtība	Vienība
Siltuma jauda			
Nominālā siltuma jauda	P_{nom}	3,0	kW
Minimālā siltuma jauda (indikātivi)	P_{min}	1,5	kW
Maksimālā nepārtrauktā siltuma jauda	$P_{max,c}$	3,0	kW
Papildu elektroenerģijas patēriņš			
Pie nominālās siltuma jaudas	$e_{l,max}$	2,975	kW
Pie minimālās siltuma jaudas	$e_{l,min}$	1,445	kW
Gaidstāves režīmā	$e_{l,SB}$	Neattiecas	kW
Siltuma pievades tips, tikai elektriskajiem siltumakumulācijas lokālajiem telpu sildītājiem (izvēlēties vienu)			
Manuāls siltumpadeves regulators ar integrētu termostatu			NĒ
Manuāls siltumpadeves regulators ar informācijas pievadi par telpas un/vai ārtelpu temperatūru			NĒ
Elektronisks siltumpadeves regulators ar informācijas pievadi par telpas un/vai ārtelpu temperatūru			NĒ
Siltuma jaudas regulēšana ar ventilatoru			NĒ
Siltuma jaudas/telpas temperatūras regulēšanas tips (izvēlēties vienu)			
Vienpakāpes siltuma jauda bez telpas temperatūras regulēšanas			NĒ
manuāla divpakāpju vai daudzpakāpju siltuma jauda bez telpas temperatūras regulēšanas			NĒ
Ar mehānisku termostatu un telpas temperatūras regulēšanu			JĀ
Ar elektronisku telpas temperatūras regulēšanu			NĒ
Ar elektronisku telpas temperatūras regulēšanu un diennakts taimerī			NĒ
Ar elektronisku telpas temperatūras regulēšanu un nedēļas taimerī			NĒ
Citi vadības veidi (var izvēlēties vairākus)			
Telpas temperatūras regulēšana ar klātbūtnes detektēšanu			NĒ
Telpas temperatūras regulēšana ar atvērta loga detektēšanu			NĒ
Ar tālvadības funkciju			NĒ
Ar adaptīvu palaišanas vadību			NĒ
Ar darbības laika ierobežojumu			NĒ
Ar siltuma starojuma sensoru melnas lodes formā			NĒ

SAUGOS INSTRUKCIJOS

Atidžiai perskaitykite ir išsaugokite pasinaudojimui ateityje!

Perspėjimas: šiame vadove nurodytos saugos priemonės ir instrukcijos neapima visų galimų sąlygų ir situacijų. Naudotojui būtina suprasti, kad bendrasis principas, atsargumas ir priežiūra yra veiksniai, kurių negalima integruoti į jokią produktą. Todėl, naudodamasis ar dirbdamas šiuo prietaisu, naudotojas turi užtikrinti, kad šių veiksnių yra paisoma. Mes nesame atsakingi dėl žalos, kurį įvyko gaminio atvežimo metu, dėl netinkamo jo naudojimo, įtampos svyravimų arba kurios nors prietaiso dalies pakeitimo ar modifikavimo.

Kad išvengtumėte gaisro arba susižalojimo dėl elektros smūgio, naudodamiesi elektros prietaisais, vadovaukitės pagrindinėmis atsargumo priemonėmis, įskaitant:

1. Įsitikinkite, kad elektros lizdo įtampa atitinka ant prietaiso etiketės nurodytą įtampos vertę, ir kad lizdas tinkamai įžemintas. Elektros lizdą būtina įrengti vadovaujantis galiojančiais elektros darbų kodeksais pagal EN.
2. Nenaudokite prietaiso, jei tinkamai neuždėtas jo pagrindas.
3. Niekada nenaudokite prietaiso, jei pažeistas maitinimo laidas arba kita jo dalis. Bet koks remontas, įskaitant laido pakeitimą, privalo būti atliekamas profesionalios techninės priežiūros centre! Nenuimkite prietaiso apsauginių dangtelių dėl elektros smūgio pavojaus!
4. Saugokite prietaisą nuo tiesioginio kontakto su vandeniu ar kitais skysčiais, kad išvengtumėte susižalojimo dėl elektros smūgio.
5. Nenaudokite prietaiso lauke arba drėgnoje aplinkoje bei nelieskite maitinimo laido ar prietaiso šlapiomis rankomis. Elektros smūgio rizika.
6. Naudojant prietaisą arti vaikų, reikia būti ypatingai atsargiems!
7. Įsitikinkite, kad prietaisas stovi ant plokščio ir stabilaus paviršiaus. Šios įrangos neleidžiama statyti ant baldų arba montuoti prie sienos.

8. Nenaudokite prietaiso šalimais degių objektų arba jo jais, pvz., arti užuolaidų. Paviršių temperatūra šalimais prietaiso (1 m) jo veikimo metu gali būti aukštesnė nei įprasta. Statykite prietaisą, kad užtikrintumėte pakankamą oro cirkuliavimą.
9. Nestatykite prietaiso ant storo kilimo.
10. Nestatykite prietaiso priekyje arba tiesiogiai po elektros lizdu.
11. Niekada neapdenkite prietaiso! Uždenę konvektorių rizikuojate sukelti gaisrą dėl perkaitimo.
12. Prietaisą draudžiama jungti prie maitinimo šaltinio naudojant laikmatį arba prie nuotoliniu būdu suaktyvinamos elektros grandinės, nes kyla gaisro rizika, jei atsitiktinai nuo toliniu būdu bus įjungtas apdengtas arba netinkamai pastatytas prietaisas.
13. Nenaudokite prietaiso šalia vonios, dušo arba baseino bei nestatykite ten, kur jis gali įkristi į vonią arba į kitą vandens rezervuarą!
14. Jei prietaisas skleidžia neįprastą kvapą arba smilksta dūmai, nedelsiant išjunkite prietaisą iš elektros lizdo bei nugabenkite į techninės priežiūros centrą.
15. Neišjunkite prietaiso truktelėjimo veiksmu suėmę už maitinimo laidą. Visada pirmiausia išjunkite prietaisą pagrindiniu jungikliu!
16. Prieš tvarkydami, perkeldami arba atlikdami techninę priežiūrą visada atjunkite prietaiso maitinimą.
17. Nepalikite prietaiso be priežiūros, kai jis prijungtas prie elektros lizdo. Prieš pradėdami techninę priežiūrą, atjunkite maitinimo laidą nuo elektros lizdo. Kad išjungtumėte prietaisą, truktelėjimo veiksmu netraukite už maitinimo laidą. Atjunkite maitinimo laidą nuo elektros lizdo, suėmę už kištuko.
18. Neleiskite maitinimo laidui prisiliesti prie karštų paviršių arba persilenkti už aštrių kampų.
19. Nenaudokite prietaiso ten, kur laikomos degios medžiagos (dažai, žibalas, tirpikliai ir pan.) arba kur gali pasklisti degių garų.
20. Nekiškite pirštų arba jokių kitų objektų į prietaiso angas.

21. Neuždenkite oro išpūtimo angų rankšluosčiu, pavyzdžiui, kai džiovinate skalbinius.
22. Naudokite šį prietaisą tik pagal šiame vadove aprašytas instrukcijas. Gamintojas neatsako už bet kokią žalą, atsiradusią dėl netinkamo naudojimo.
23. Prietaisas skirtas tik naudojimui namuose. Nenaudokite lauko sąlygomis. Nenaudokite dulkėtoje aplinkoje. Nusausinkite.
24. Šis šildytuvas skirtas kambariams, kai lauko temperatūra žemiau 0°C.
25. Prietaisu gali naudotis vaikai iki 8 metų ir vyresni bei asmenys su fizine arba psichine negalia, arba neturintys patirties ar žinių, jei juos prižiūri kitas žmogus arba jei jie buvo išmokyti, kaip saugiai naudotis prietaisu ir supranta potencialius pavojus. Vaikams nereikėtų leisti žaisti su šiuo prietaisu. Valymo ir techninės priežiūros darbų draudžiama leisti atlikti neprižiūrimiems vaikams. Jaunesni nei 8 metų vaikai privalo laikytis atokiau šio prietaiso ir jo maitinimo.
 - Jaunesnių nei 3 metų amžiaus vaikų šalia prietaiso nepalikite be priežiūros.
 - Nuo 3 iki 8 metų vaikams leidžiama įjungti ir išjungti prietaisą tik, jei pastarasis tinkamai pastatytas ir įrengtas darbo padėtyje, kai juos prižiūri suaugęs asmuo arba jei jie buvo išmokyti, kaip naudotis prietaisu saugiai ir supranta potencialius pavojus. Nuo 3 iki 8 metų vaikams neleidžiama jungti prietaiso prie elektros lizdo, reguliuoti valdiklių, valyti arba atlikti techninės priežiūros.

ĮSPĖJIMAS: kai kurios prietaiso dalys jo veikimo metu įkaista ir gali nudeginti. Jei šalia yra vaikų arba žmonių su psichine arba fizine negalia, būtina imtis atsargumo priemonių.

ĮSPĖJIMAS: šis šildytuvas neturi kambario temperatūrą matuojančio įtaiso. Nenaudokite šildytuvo nedidelėse patalpose, kuriuose yra asmenų su judėjimo negalia, kurie nepajėgūs patys išeiti iš kambario, nebent juos prižiūri kitas žmogus.

ĮSPĖJIMAS: visada naudokite prietaisą tik vertikaliajame padėtyje (pagrindu į apačią, valdikliais į viršų). Bet kokia kita naudojimo padėtis yra pavojinga.

Do not immerse in water! – Nemerkite į vandenį!

Naudojimo metu šitaip paženklinėti paviršiai įkaista. Nusideginimo rizika!



NEATIDARYTI! Gaisro pavojus.



PAVOJINGA vaikams: vaikams negalima leisti žaisti pakavimo medžiaga. Neleiskite vaikams žaisti plastikiniais maišeliais. Uždusimo pavojus.

Reikalavimai įrengimui

Statykite radiatorių ant plokščio paviršiaus, kuriame pakanka laisvos erdvės tinkamam vėdinimui. Aplink prietaisą nuo jį supančių objektų, privalo būti atstumas mažiausia 1 m. Šildytuvo negalima eksploatuoti be įtvirtintų pagrindų.

PRIETAISO NAUDOJIMAS

Pastaba: pirmą kartą jungiant prietaisą arba jungiant po ilgesnio neveikos laikotarpio, šildytuvai gali skleisti kvapą arba dūmus. Tai įprastinis reiškinys, netrukus tai praeis.

Šis prietaisas naudoja konvekcinio šildymo technologiją su temperatūrinu valdymu. Prietaisas pasižymi funkcija **TURBO** (šilumos ir ventilacijos panaudojimas kartu). Temperatūrai reguliuoti yra skirtas termostatinis valdiklis (A). Pasukite maitinimo valdiklį, kad nustatytumėte pageidaujamą temperatūros lygį:

Junkite įrenginį valdikliu B ir pasirinkite norimą funkciją (vėdinimas be šildymo, mažu arba dideliu galingumu).

Norėdami, kad kambarys greičiau įšiltų, nustatykite termostatą ties maksimalia verte ir pasukite ratuką ties didelio galingumo parinktimi. Kai pasieksite pageidaujamą temperatūrą, sukite termostatą prieš laikrodžio rodyklę, kol šis užsidarys. Taip nustatoma temperatūra, kurią prietaisas automatiškai palaikys iki kol jį išjungsitė.

Bet koks manipuliavimas prietaisu gali būti atliekamas tik išjungus prietaisą, o jo laidą ištraukus iš elektros lizdo.

Prietaiso išjungimas

Pirmiausia nustatykite termostato valdiklį į padėtį MIN, o jungiklį į padėtį 0. Po to visada ištraukite maitinimo laidą iš lizdo!

Bet kokie veiksmai prietaisu gali būti atliekami tik esant išjungtiems mygtukams bei prietaisui atjungtam nuo elektros lizdo.

Apsauga nuo perkaitimo

Vidinis terminis saugiklis saugo šildytuvą nuo perkaitimo ir tokiu atveju automatiškai jį išjungia. Tokiu atveju užgęsta veikimo indikatorius.

Jei prietaisas išsijungė savaime, atjunkite jį nuo elektros lizdo. Ataušus prietaisą galima vėl naudoti (po maždaug 15 minučių). Vėl prijunkite maitinimo laidą prie elektros lizdo.

Jei situacija ir kartojasi, pirmiausia patikrinkite, ar tinkamai sukonfigūruotas termostato valdiklis, ir ar neuždengtos ventiliacijos angos.

VALYMAS IR TECHNINĖ PRIEŽIŪRA

Prieš valydami prietaisą visuomet atjunkite jo maitinimo laidą nuo elektros lizdo ir visiškai ataušinkite prietaisą. Išorinį prietaiso paviršių nuvalykite drėgna šluoste. Prietaisui valyti nenaudokite aštrių arba abrazyvinių valiklių, nes taip galite pažeisti paviršių.

Po to kai tinkamai išjungėte prietaisą pagrindiniu jungikliu, ištraukėte jo maitinimo laidą iš elektros lizdo, ir kai jis visiškai ataušo, galite padėti prietaisą į jo laikymo vietą.

PRIETAISO LAIKYMAS

Jei neplanuojate naudoti prietaiso ilgesnį laiką, padėkite jį švarioje ir sausoje vietoje, apsaugotoje nuo dulkių.

TECHNINIAI DUOMENYS

HH 2010

Maks. įvesties galia: 2000 W

2 maitinimo lygiai: 1000 W ir 2000 W

Integruotas ventiliatorius

Nepertraukiamas reguliavimas termostatu

Saugos jungiklis

Autonominė eiga

Vardinė įtampa: 220–240 V, 50 Hz

Vardinė įvesties galia: 2000 W

HH 3010

Maks. įvesties galia: 3000 W

2 maitinimo lygiai: 1500 W ir 3000 W

Integruotas ventiliatorius

Nepertraukiamas reguliavimas termostatu

Saugos jungiklis

Autonominė eiga

Vardinė įtampa: 220–240 V, 50 Hz

Vardinė įvesties galia: 3000 W

NAUDOJIMAS IR ATLIEKŲ UTILIZAVIMAS

Vyniojamasis popierius ir gofruoto kartono dėžė – išmesti į atliekas. Pakavimo folija, PE maišeliai, plastikiniai elementai – išmesti į plastiko perdirbimo konteinerius.

GAMINIO UTILIZAVIMAS PASIBAIGUS JO EKSPLOATACIJOS LAIKUI

Elektros ir elektronikos dalių utilizavimas (taikoma ES valstybėse narėse ir kitose Europos šalyse, kur galioja atliekų perdirbimo sistema)

Ant gaminio ar jo pakuotės atvaizduotas simbolis reiškia, kad gaminio negalima utilizuoti kartu su buitinėmis atliekomis. Nugabenkite gaminį į atitinkamą elektros ar elektronikos gaminių perdirbimo vietą. Utilizuodami gaminį imkitės saugos priemonių dėl neigiamo poveikio žmogaus sveikatai ir aplinkai. Perdirbimas prisideda prie gamtinių išteklių išsaugojimo. Daugiau informacijos apie šio gaminio perdirbimą, teiraukitės vietinės valdžios institucijose, buitinių atliekų perdirbimo organizacijose arba parduotuvėje, kur įsigijote šį gaminį.



08/05



Šis produktas atitinka ES direktyvas dėl elektromagnetinio suderinamumo ir elektros saugos.

Instrukcijų vadovą rasite internete www.ecg.cz.

Tekstas ir techniniai parametrai keičiami be išankstinio perspėjimo.

Lietuvių kalba	Informaciniai lapai nešiojamiesiems šildytuvams		
Tipas:	ECG HH 2010 (YXC-02R)		
Įtaisas	Prekyženklis	Vertė	Blokas
Šilumos išeiga			
Vardinė šilumos išeiga	P_{nom}	2,0	kW
Minimali šilumos išeiga (nuorodinė)	P_{min}	1,0	kW
Maksimali nuolatinė šilumos išeiga	$P_{max,c}$	2,0	kW
Papildomas elektros suvartojimas			
Esant vardinei šilumos išeigai	$e_{l,max}$	1,980	kW
Esant minimaliai šilumos išeigai	$e_{l,min}$	0,960	kW
Parengties režime	$e_{l,SB}$	Netaikoma	kW
Šilumos įvesties tipas tik elektriniams akumuliuojamiesiems vietinės erdvės šildytuvams (pasirinkite)			
Rankinis šilumos įkrovos valdymas su integruotu termostatu			NE
Rankinis šilumos įkrovos valdymas su kambario ir (arba) lauko temperatūros grįžtamuju ryšiu			NE
Rankinis šilumos įkrovos valdymas su kambario ir (arba) lauko temperatūros grįžtamuju ryšiu			NE
Ventiliuojama šilumos išeiga			NE
Išiegos / kambario temperatūros valdymo tipas (pasirinkite)			
Vieno lygio šilumos išeiga be kambario temperatūros valdymo			NE
dviejų arba daugiau rankinių lygių be temperatūros valdymo			NE
Su mechaniniu termostatinu kambario temperatūros valdymu			TAIP
Su elektroniniu termostatinu kambario temperatūros valdymu			NE
Elektroninis kambario temperatūros valdymas su dienos laikmačiu			NE
Elektroninis kambario temperatūros valdymas su savaitiniu laikmačiu			NE
Kitos valdymo parinktys (galimos kelios parinktys)			
Kambario temperatūros valdymas su žmogaus buvimo aptikimu			NE
Kambario temperatūros valdymas su atidaromo lango aptikimu			NE
Su distancinio valdymo parinktimi			NE
Su adaptuojamu paleisties valdymu			NE
Su veikimo laiko apribojimu			NE
Su juodos šviesos jutikliu			NE

Lietuvių kalba	Informaciniai lapai nešiojamiesiems šildytuvams		
Tipas:	ECG HH 3010 (YXC-03R)		
Įtaisas	Prekyženklis	Vertė	Blokas
Šilumos išeiga			
Vardinė šilumos išeiga	P_{nom}	3,0	kW
Minimali šilumos išeiga (nuorodinė)	P_{min}	1,5	kW
Maksimali nuolatinė šilumos išeiga	$P_{max,c}$	3,0	kW
Papildomas elektros suvartojimas			
Esant vardinei šilumos išeigai	$e_{l,max}$	2,975	kW
Esant minimaliai šilumos išeigai	$e_{l,min}$	1,445	kW
Parengties režime	$e_{l,SB}$	Netaikoma	kW
Šilumos įvesties tipas tik elektriniams akumuliuojamiesiems vietinės erdvės šildytuvams (pasirinkite)			
Rankinis šilumos įkrovos valdymas su integruotu termostatu			NE
Rankinis šilumos įkrovos valdymas su kambario ir (arba) lauko temperatūros grįžtamuju ryšiu			NE
Rankinis šilumos įkrovos valdymas su kambario ir (arba) lauko temperatūros grįžtamuju ryšiu			NE
Ventiliuojama šilumos išeiga			NE
Išigos / kambario temperatūros valdymo tipas (pasirinkite)			
Vieno lygio šilumos išeiga be kambario temperatūros valdymo			NE
dviejų arba daugiau rankinių lygių be temperatūros valdymo			NE
Su mechaniniu termostatinu kambario temperatūros valdymu			TAIP
Su elektroniniu termostatinu kambario temperatūros valdymu			NE
Elektroninis kambario temperatūros valdymas su dienos laikmačiu			NE
Elektroninis kambario temperatūros valdymas su savaitiniu laikmačiu			NE
Kitos valdymo parinktys (galimos kelios parinktys)			
Kambario temperatūros valdymas su žmogaus buvimo aptikimu			NE
Kambario temperatūros valdymas su atidaromo lango aptikimu			NE
Su distancinio valdymo parinktimi			NE
Su adaptuojamu paleisties valdymu			NE
Su veikimo laiko apribojimu			NE
Su juodos šviesos jutikliu			NE

LT

K+B Progres, a.s.
U Expertu 91
250 69 Klíčany

tel.: +420.272.122.111
el. paštas: ECG@kbexpert.cz

BIZTONSÁGI ELŐÍRÁSOK

Olvassa el figyelmesen és a későbbi felhasználásokhoz is őrizze meg!

Figyelmeztetés! A jelen útmutatóban feltüntetett biztonsági előírások és utasítások nem tartalmazzak minden olyan feltételt és körülményt, amely a használat során bekövetkezhet. A felhasználónak meg kell értenie, hogy egyetlen termékbe sem lehet beépíteni a felhasználótól elvárható elővigyázatosságot és gondosságot. Ezekről a készüléket használó és kezelő felhasználóknak kell gondoskodniuk. Nem vállalunk felelősséget a készülék helytelen használatából, a hálózati feszültségingadozásokból, vagy a készülék bármilyen jellegű átalakításából és módosításából eredő károkért.

A tüzek, áramütések és egyéb sérülések megelőzése érdekében, az elektromos készülékek használata során tartsa be az általános és az alábbiakban feltüntetett biztonsági utasításokat:

1. Mielőtt csatlakoztatná a készüléket a szabályszerűen leföldelt hálózati konnektorhoz, győződjön meg arról, hogy a hálózati feszültség értéke megegyezik-e a készülék típuscímkéjén található tápfeszültség értékével. A fali aljzat feleljen meg a vonatkozó EN szabványok előírásainak.
2. A készüléket ne használja talp nélkül.
3. Ha készülék bármely része vagy a hálózati vezetéke megsérült, akkor a készüléket használni tilos. A termék minden javítását, beleértve a hálózati vezeték cseréjét is, bízza szakszervizre! A készülék védőburkolatát ne szerelje le, a feszültség alatt lévő alkatrészek áramütést okozhatnak!
4. Óvja a készüléket víztől és más folyadékoktól, ellenkező esetben áramütés érheti.
5. A készüléket szabadban vagy nedves környezetben használni tilos! A hálózati vezetéket és a készüléket nedves kézzel ne fogja meg. Áramütés veszélye!

6. Legyen nagyon körültekintő, amikor a készüléket gyermekek közelében használja.
7. A készüléket sima, egyenes és vízszintes felületre állítsa fel. A készüléket nem szabad bútorra felállítani és falra szerelni.
8. A készüléket gyúlékony tárgyak vagy anyagok közelében (pl. függöny mellett) ne használja. A hőszugárzó közelében (1 m-en belül) található felületek a készülék használata közben felmelegedhetnek. A készüléket úgy állítsa fel, hogy a megfelelő működéshez biztosított legyen a levegő szabad áramlása a készülék környezetében.
9. A hőszugárzót ne állítsa fel olyan szőnyegre, amelynek magas szálai vannak.
10. A készüléket ne állítsa közvetlenül a fali konnektor elé vagy alá.
11. A készüléket ne takarja le! A készülék esetleges túlmelegedése tüzet okozhat.
12. A készüléket időkapcsolós konnektoron keresztül, vagy távolról kapcsolt áramkörhöz bekötve nem szabad az elektromos hálózathoz csatlakoztatni, mert a véletlenül bekapcsolt és esetleg letakart vagy rosszul elhelyezett hőszugárzó tüzet okozhat.
13. A hőszugárzót fürdőkád, zuhanyozó, vagy medence közvetlen közelében ne használja, illetve ne állítsa fel olyan helyre, ahonnan a hőszugárzó kádba, vagy vízzel teli más edénybe eshet!
14. Amennyiben a készülékből szokatlan szag vagy füst áramlik ki, akkor a készüléket azonnal kapcsolja ki, és készüléket vigye a márkaszervizbe ellenőrzésre.
15. A készüléket a hálózati vezeték kihúzásával ne kapcsolja ki. A hőszugárzót a készüléken található kapcsolóval kapcsolja le!
16. A készülék mozgatása, áthelyezése vagy tisztítása előtt a hálózati vezetéket húzza ki a fali aljzatból.
17. A hálózathoz csatlakoztatott hőszugárzót ne hagyja felügyelet nélkül. Karbantartás megkezdése előtt a hálózati vezetéket húzza ki a fali aljzatból. A csatlakozódugót a hálózati vezetéknél fogva ne húzza ki a konnektorból. A művelethez fogja meg a csatlakozódugót.

18. A hálózati vezeték nem érhet hozzá forró tárgyakhoz, továbbá azt éles eszközökre se helyezze rá.
19. A hőszigetelést nem szabad olyan helyen használni, ahol a közelben benzin, festék, hígítószer vagy más éghető folyadék, illetve a levegőben robbanásveszélyes gáz található.
20. A hőszigetelő nyílásába az ujját, vagy bármilyen tárgyat bedugni tilos.
21. A készülék nyílásait letakarni (pl. törülközővel) nem szabad, illetve a készüléken ruhát szárítani is tilos.
22. A készüléket kizárólag csak a jelen útmutatóban leírtak szerint, az utasításokat betartva használja. A gyártó nem felel a készülék helytelen használata miatt bekövetkezett károkért.
23. A készülék csak háztartásokban használható. A készüléket szabadban ne használja. A készüléket ne használja ipari környezetben! A készüléket száraz helyen tárolja.
24. A készülék 0°C feletti hőmérsékletű helyiségek fűtéséhez használható.
25. A készüléket 8 évnél idősebb gyerekek, idős, testi és szellemi fogyatékos személyek, illetve a készülék használatát nem ismerő és hasonló készülék üzemeltetéseinek a tapasztalataival nem rendelkező személyek csak a készülék használati utasítását ismerő és a készülék használatáért felelősséget vállaló személy felügyelete mellett használhatják. A készülék nem játék, azzal gyerekek nem játszhatnak. A készüléket gyerekek csak felnőtt személy felügyelete mellett tisztíthatják. A készüléket és a hálózati vezetéket úgy kell elhelyezni, hogy ahhoz 8 év alatti gyerekek ne férhessenek hozzá.
 - 3 évesnél kisebb gyerekeket nem szabad a készülék közelébe engedni, illetve csak akkor, ha biztosított az állandó szülői felügyelet.
 - A készüléket 3 és 8 év közti gyerekek csak akkor kapcsolhatják be és ki, ha a készülék szabályszerűen össze van szerelve és megfelelő módon van telepítve, illetve ha a gyerekek tisztában vannak a

készülék biztonságos használatával és a lehetséges veszélyekkel. A készüléket 3 és 8 év közti gyerekek nem tisztíthatják, azon felhasználói karbantartást nem hajthatnak végre, illetve azt nem csatlakoztathatják az elektromos hálózathoz.

FIGYELMEZTETÉS! A készülék bizonyos részei a használat során erősen felmelegednek, az érintésük égési sérülést okozhat. Legyen különösen figyelmes, ha a közelben gyerekek, testi és szellemi fogyatékos személyek tartózkodnak.

FIGYELEM! Ebben a fűtőtestben nincs termosztát, amely a helyiség hőmérséklete alapján szabályozná a fűtést. A fűtőtestet ne használja olyan helyiségekben, ahol olyan személyek tartózkodnak, akik veszély esetén önerőből nem tudják a helyiséget elhagyni. A fűtőtestet ilyen helyen csak állandó felügyelet mellett szabad használni.

FIGYELEM! A hőszugárzót csak függőleges helyzetben szabad használni (kerekek alul, működtetés felül). Bármilyen más helyzetben a készülék használata veszélyes lehet.

Do not immerse in water! – Vízbe meríteni tilos!

Az így megjelölt felületek a használat közben forrók lehetnek. ÉGÉSI SÉRÜLÉS VESZÉLYE!



NE TAKARJA LE! Tűzveszély!



ÉLETVESZÉLY gyerekeknek! A csomagolóanyag nem játék, azt gyerekek elől elzárva tárolja. Műanyag zacskókkal a gyerekek nem játszhatnak! Fulladásveszély!

Elhelyezésre vonatkozó követelmények

Állítsa a hőszugárzót olyan sima padlóra, amely biztosítja, hogy a nyílások szabadon maradjanak és a készülék megfelelő módon működjön. A készülék és a legközelebbi tárgyak között legalább 1 m szabad helyet kell hagyni. A hőszugárzót felszerelt talp nélkül használni tilos.

HASZNÁLATI ÚTMUTATÓ

Megjegyzés: a hősugárzóból az első bekapcsoláskor (illetve hosszabb üzemeltetési szünet után) füst szállhat fel, illetve kellemetlen szag távozik. Ez normális jelenség és rövid időn belül megszűnik.

A hősugárzó a készüléken átáramló levegőt melegíti fel, a hőmérséklet termostát segítségével állítható be. A készülék **TURBO** funkcióval is rendelkezik (a forró levegőt ventilátor keringteti). A hőmérsékletet a termostáttal (A) lehet beállítani. A gomb elforgatásával állítsa be a kívánt fűtési hőmérsékletet.

A másik működtető gombbal (B) a kívánt funkciót lehet beállítani ((ventilátor fűtés nélkül, alacsony vagy magas fűtési teljesítmény).

A helyiség gyors felfűtéséhez a termostátot állítsa a maximum jelre, a működtető gombbal pedig magas teljesítményt állítson be. A kívánt hőmérséklet elérése után a termostát gombot forgassa el az óramutató járásával ellenkező irányba (amíg a készülék ki nem kapcsol). Az így beállított hőmérsékletet a készülék automatikusan tartani fogja (a készülék lekapcsolásáig).

A készüléket mozgatni, illetve azon bármilyen munkát végezni csak a főkapcsoló lekapcsolása és a hálózati csatlakozódugó kihúzása után szabad.

A készülék kikapcsolása

Először a termostát gombját állítsa be „MIN” értékre, majd a főkapcsolót fordítsa „0” állásba. Ezt követően a hálózati vezeték is húzza ki a fali aljzatból!

A készüléket mozgatni, illetve azon bármilyen munkát végezni csak a hálózati csatlakozódugó kihúzása után szabad.

Túlfűtés elleni védelem

A készülékbe épített hővédelem a hősugárzót túlmelegedés esetén lekapcsolja. Ebben az esetben a kijelző lámpa is elalszik.

Amennyiben a készülék automatikusan lekapcsol, akkor a hálózati csatlakozódugót húzza ki az aljzatból. A készülék lehűlése után (körülbelül 15 perc) a hősugárzó ismét bekapcsolható. A hálózati vezeték csatlakozódugóját dugja ismét a fali aljzatba.

Amennyiben az automatikus lekapcsolás megismétlődik, akkor ellenőrizze le a termostát gomb beállítását, illetve, hogy a szellőzőnyílások nincsenek-e letakarva.

TISZTÍTÁS ÉS KARBANTARTÁS

A tisztítás megkezdése előtt húzza ki a hálózati vezetékét a fali aljzatból, majd várja meg a készülék teljes lehűlését. Enyhén benedvesített ruhával törölje meg a készülék külső felületét. A tisztításhoz ne használjon éles tárgyakat, agresszív vagy karcoló tisztítószereket. Ezek a készülék felületét károsíthatják.

A készülék eltárolása előtt a főkapcsolót kapcsolja le, húzza ki a hálózati vezetékét és várja meg a készülék teljes lehűlését.

A KÉSZÜLÉK TÁROLÁSA

Amennyiben a hősugárzót hosszabb ideig nem fogja használni, akkor azt pormentes, száraz és tiszta helyen tárolja.

MŰSZAKI ADATOK

HH 2010

Max. teljesítményfelvétel: 2000 W

2 teljesítményfokozat: 1000 W és 2000 W

Beépített ventilátor
Folyamatosan szabályozható termosztát
Hőkapcsoló
Szabadon álló
Névleges feszültség: 220–240 V~ 50 Hz
Névleges teljesítményfelvétel: 2000 W

HH 3010

Max. teljesítményfelvétel: 3000 W
2 teljesítményfokozat: 1500 W és 3000 W
Beépített ventilátor
Folyamatosan szabályozható termosztát
Hőkapcsoló
Szabadon álló
Névleges feszültség: 220–240 V~ 50 Hz
Névleges teljesítményfelvétel: 3000 W

A HULLADÉKOK MEGSEMMISÍTÉSE

A papírt és a hullámpapírt dobja a papírgyűjtő konténerbe. A műanyag fóliákat, PE zacskót és egyéb műanyag csomagolóanyagokat a műanyag gyűjtő konténerbe dobja ki.

A TERMÉK MEGSEMMISÍTÉSE AZ ÉLETTARTAMA VÉGÉN

Az elektromos és elektronikus hulladékok kezelésére vonatkozó információk (érvényes az EU tagországokban és a hulladékok szelektálását előíró országokban)

A terméken, vagy a termék csomagolóanyagán feltüntetett jel azt jelenti, hogy az elektromos és elektronikus készüléket a háztartási hulladékok közé kidobni tilos. A terméket az elektromos és elektronikus hulladékok gyűjtésére kijelölt hulladékgyűjtő helyen kell leadni újrahasznosításhoz. Az elhasznált termék előírás szerű újrafeldolgozásával Ön is hozzájárul a környezetünk védelméhez. A hulladékok megfelelő újrahasznosítása fontos szerepet játszik a természeti erőforrások kímélésében. A termék hulladékgyűjtőbe való leadásáról, és az anyagok újrahasznosításáról további információkat a polgármesteri hivatalban, a hulladékgyűjtő helyen, vagy a termék eladási helyén kaphat.



08/05

Ez a termék megfelel a kisfeszültségű berendezések biztonságára és az elektromágneses kompatibilitásra vonatkozó EU irányelveknek.



A használati útmutatót a www.ecg.cz honlapról töltheti le.
A szöveg és a műszaki paraméterek megváltoztatásának a joga fenntartva.

Magyar	Hordozható hőszugárzó termékismertető adatlap		
Típus:	ECG HH 2010 (YXC-02R)		
Adat	Márka	Érték	Mértékegység
Hőteljesítmény			
Névleges hőteljesítmény	$P_{névl}$	2,0	kW
Minimális hőteljesítmény (indikatív)	P_{min}	1,0	kW
Maximális folyamatos hőteljesítmény	$P_{max,c}$	2,0	kW
Villamosgédenergia-fogyasztás			
A névleges hőteljesítményen	el_{max}	1,980	kW
A minimális hőteljesítményen	el_{min}	0,960	kW
Készletléti üzemmódban	el_{sb}	nem elérhető	kW
Csak a hőtárolós elektromos egyedi helyiségfűtő berendezések esetében: a hőbevitel típusa (egy lehetséges érték)			
Kézi töltésszabályozás beépített termosztáttal			NEM
Kézi töltésszabályozás beltéri és/vagy kültéri hőmérséklet-visszacsatolással			NEM
Elektronikus töltésszabályozás beltéri és/vagy kültéri hőmérséklet-visszacsatolással			NEM
Ventilátorral segített hőleadás			NEM
A teljesítmény, illetve a beltéri hőmérséklet szabályozásának típusa (egy lehetséges érték)			
Egyetlen állás, beltéri hőmérséklet-szabályozás nélkül			NEM
Két vagy több kézi szabályozású állás, beltéri hőmérséklet-szabályozás nélkül			NEM
Mechanikus termosztátos beltéri hőmérséklet-szabályozás			IGEN
Elektronikus beltéri hőmérséklet-szabályozás			NEM
Elektronikus beltéri hőmérséklet-szabályozás és napszak szerinti szabályozás			NEM
Elektronikus beltéri hőmérséklet-szabályozás és heti szabályozás			NEM
Egyéb szabályozási lehetőségek (több lehetséges érték)			
Beltéri hőmérséklet-szabályozás jelenlét-érzékeléssel			NEM
Beltéri hőmérséklet-szabályozás nyitottablak-érzékeléssel			NEM
Távírányítóval			NEM
Adaptív bekapcsolás-szabályozással			NEM
Működési idő korlátozással			NEM
Feketegömb-érzékelővel			NEM

HU

K+B Progres, a.s.
U Expertu 91
250 69 Klíčany

tel.: +420 272 122 111
e-mail: ECG@kbexpert.cz

Magyar	Hordozható hőszugárzó termékismertető adatlap		
Típus:	ECG HH 3010 (YXC-03R)		
Adat	Márka	Érték	Mértékegység
Hőteljesítmény			
Névleges hőteljesítmény	$P_{névl}$	3,0	kW
Minimális hőteljesítmény (indikatív)	P_{min}	1,5	kW
Maximális folyamatos hőteljesítmény	$P_{max,c}$	3,0	kW
Villamosgédenergia-fogyasztás			
A névleges hőteljesítményen	el_{max}	2,975	kW
A minimális hőteljesítményen	el_{min}	1,445	kW
Készletléti üzemmódban	el_{sb}	nem elérhető	kW
Csak a hőtárolós elektromos egyedi helyiségfűtő berendezések esetében: a hőbevitel típusa (egy lehetséges érték)			
Kézi töltésszabályozás beépített termosztáttal			NEM
Kézi töltésszabályozás beltéri és/vagy kültéri hőmérséklet-visszacsatolással			NEM
Elektronikus töltésszabályozás beltéri és/vagy kültéri hőmérséklet-visszacsatolással			NEM
Ventilátorral segített hőleadás			NEM
A teljesítmény, illetve a beltéri hőmérséklet szabályozásának típusa (egy lehetséges érték)			
Egyetlen állás, beltéri hőmérséklet-szabályozás nélkül			NEM
Két vagy több kézi szabályozású állás, beltéri hőmérséklet-szabályozás nélkül			NEM
Mechanikus termosztátos beltéri hőmérséklet-szabályozás			IGEN
Elektronikus beltéri hőmérséklet-szabályozás			NEM
Elektronikus beltéri hőmérséklet-szabályozás és napszak szerinti szabályozás			NEM
Elektronikus beltéri hőmérséklet-szabályozás és heti szabályozás			NEM
Egyéb szabályozási lehetőségek (több lehetséges érték)			
Beltéri hőmérséklet-szabályozás jelenlét-érzékeléssel			NEM
Beltéri hőmérséklet-szabályozás nyitottablak-érzékeléssel			NEM
Távírányítóval			NEM
Adaptív bekapcsolás-szabályozással			NEM
Működési idő korlátozással			NEM
Feketegömb-érzékelővel			NEM

www.ecg-electro.eu

Deutsch

K+B Progres, a.s./AG.
Barbaraweg 2, DE-93413 Cham
Bei Beschwerden rufen Sie die Telefonnummer
09971/4000-6080 an. (Mo – Fr 9:00 – 16:00)

Čeština

K+B Progres, a.s.
U Expertu 91
250 69 Klíčany, Czech Rep.
tel.: +420 272 122 111
e-mail: ECG@kbexpert.cz

Eesti keel

K+B Progres, a.s.
U Expertu 91
250 69 Klíčany, Czech Rep.
tel.: +420 272 122 111
e-post: ECG@kbexpert.cz

Hrvatski

K+B Progres, a.s.
U Expertu 91
250 69 Klíčany, Czech Rep.
tel.: +420 272 122 111
e-mail: informacije@kbprogres.cz

Bosanski

K+B Progres, a.s.
U Expertu 91
250 69 Klíčany, Czech Rep.
tel.: +420 272 122 111
e-mail: informacije@kbprogres.cz

Latviešu valoda

K+B Progres, a.s.
U Expertu 91
250 69 Klíčany, Czech Rep.
tel.: +420 272 122 111
e-pasts: ECG@kbexpert.cz

Lietuvių kalba

K+B Progres, a.s.
U Expertu 91
250 69 Klíčany, Czech Rep.
tel.: +420 272 122 111
el. paštas: ECG@kbexpert.cz

Magyar

K+B Progres, a.s.
U Expertu 91
250 69 Klíčany, Czech Rep.
tel.: +420 272 122 111
e-mail: ECG@kbexpert.cz

■ The manufacturer takes no responsibility for printing errors contained in the product's user's manual. ■ Der Importeur haftet nicht für Druckfehler in der Bedienungsanleitung des Produkts. ■ Výrobce neručí za tiskové chyby obsažené v návodu k použití výrobku. ■ Tootja ei vastuta toote kasutusjuhendis leiduvate trükkivigade eest. ■ Proizvodač ne snosi odgovornost za tiskarske greške u uputama. ■ Ražotājs neuzņemas atbildību par drukas kļūdām ierīces rokasgrāmatā. ■ Gamintojas neapsiima atsakomybės dėl spausdinimo klaidų, pasitaikančių gaminio naudotojo vadove. ■ A gyártó nem felel a termék használati útmutatójában fellelhető nyomdahibákért.