

Installation Guide

Model: CL10

Version: 1.0

English



Important Notes

1. Please read this Installation Guide carefully before installation and contact the Customer Care Service if you have any questions regarding the installation.
2. To avoid any future service charges that may arise as a result of incorrect installation, it is recommended that installation must be performed by a professional technician to prevent any potential service charges that may occur due to incorrect installation.
3. We regularly revise the contents of this Installation Guide and update our products to enhance the quality and performance without prior notice.
4. Do not install the batteries until the lock is installed.

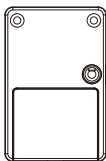
Table of Contents

What's in the Box.....	1
Installation Diagram.....	2
Installation Procedure.....	4
ONE: Slide Opening Installation.....	4
1 Drill Holes.....	4
2 Install Outdoor Assembly.....	5
3 Install Indoor Assembly.....	6
4 Install Hook Latch.....	6
TWO: Push-Pull Opening Installation.....	8
1 Drill Holes.....	8
2 Install Outdoor Assembly.....	9
3 Install Indoor Assembly.....	10
4 Install Hook Latch.....	10

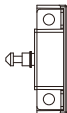
What's in the Box



Outdoor Assembly



Indoor Assembly



Hook Latch



Screw A



Screw B



Screw C



Screw D



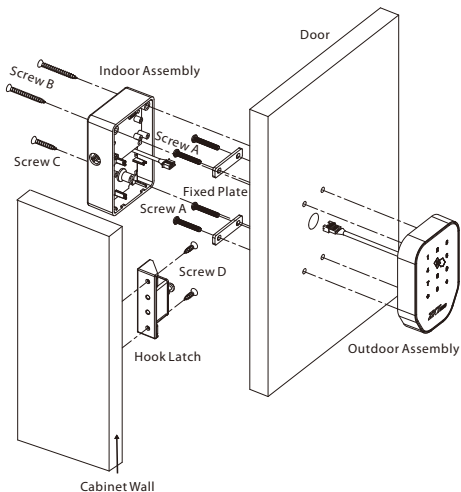
Fixed Plate



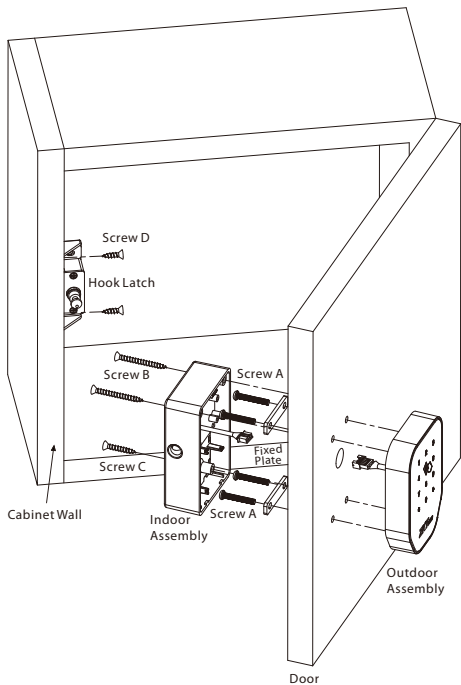
Card

Note: This type of cabinet lock suits the cabinet of thickness 16mm to 20mm. If customization is required, please contact us.

Installation Diagram



Slide Opening Installation



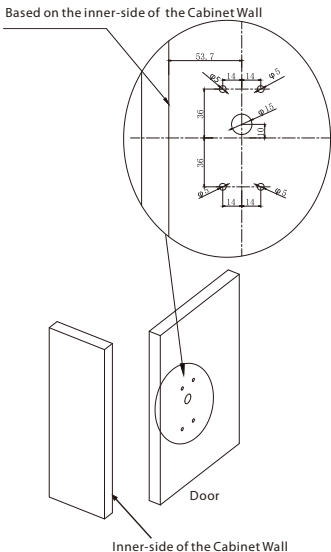
Push-Pull Opening Installation

Installation Procedure

ONE: Slide Opening Installation

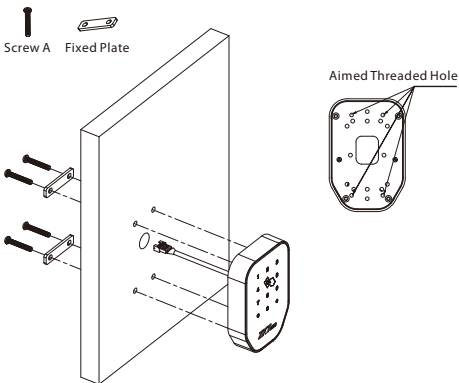
1 Drill Holes

Drill holes on the cabinet door according to the Slide Opening Installation Template (Page 12).



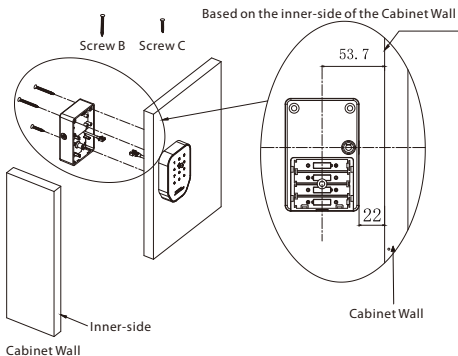
2 Install Outdoor Assembly

- A. Attach the Outdoor Assembly to the door by inserting the cable through the drilled holes.
- B. Place the Fixed Plates to the inner door and use Screw A to fix them with Outdoor Assembly.



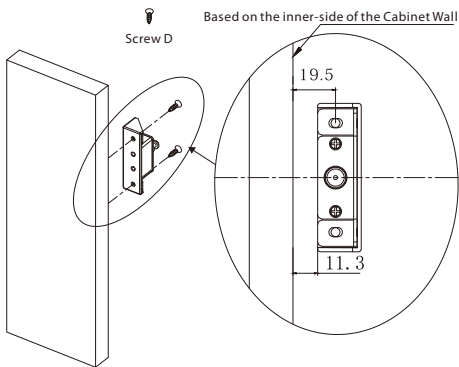
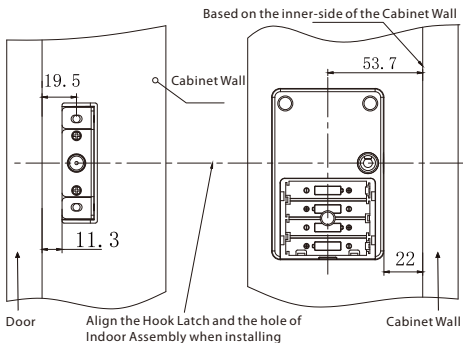
3 Install Indoor Assembly

- A. Make sure that the distance between the Indoor Assembly and the cabinet wall is 22mm.
- B. Secure the Indoor Assembly with Screw B and Screw C.



4 Install Hook Latch

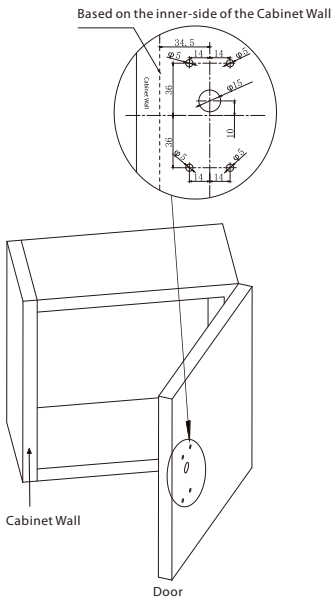
- A. Make sure that the Latch is pointed to the hole of Indoor Assembly keeping Latch and the hole of Indoor Assembly in Horizontal level.
- B. Make sure the distance between the Latch and door is 11.3mm.
- C. Secure the Latch with Screw D.



TWO: Push-Pull Opening Installation

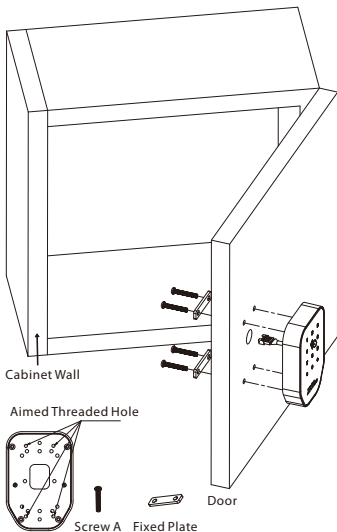
1 Drill Holes

Drill holes on the cabinet door according to the Push-Pull Opening Installation Template (Page 13).



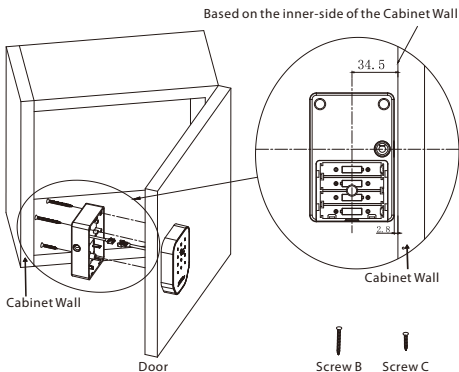
2 Install Outdoor Assembly

- A. Attach the Outdoor Assembly to the door by inserting the cable through the drilled holes.
- B. Place the Fixed Plates to the inner door and use Screw A to fix them with Outdoor Assembly.



3 Install Indoor Assembly

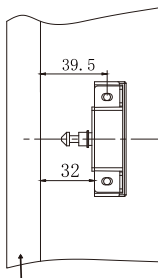
- Make sure the distance between the Indoor Assembly and the cabinet wall is 2.8mm.
- Secure the Indoor Assembly with Screw B and Screw C.



4 Install Hook Latch

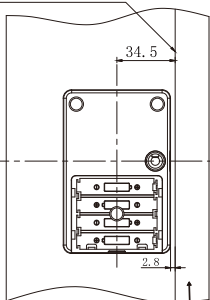
- Keeping Latch and the hole of Indoor Assembly in Horizontal level.
- Make sure the distance between the Latch and door is 32mm.
- Secure the Latch with Screw D.

Based on the inner-side of the Cabinet Wall



Door

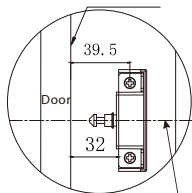
Align the Hook Latch and the hole of Indoor Assembly when installing



Cabinet Wall

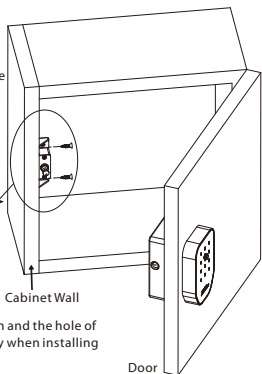


Based on the inner-side of the Cabinet Wall



Door

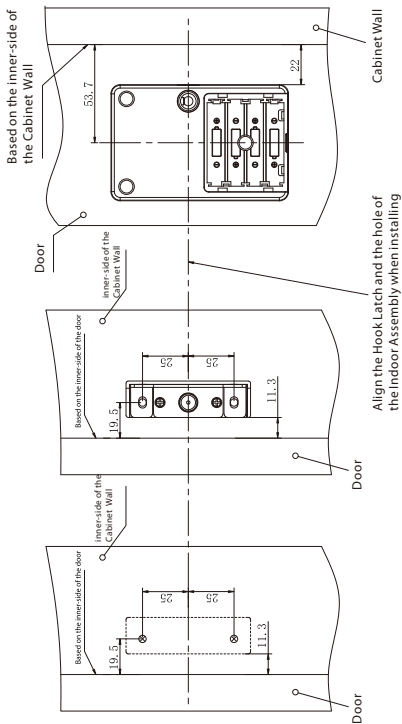
Align the Hook Latch and the hole of the Indoor Assembly when installing



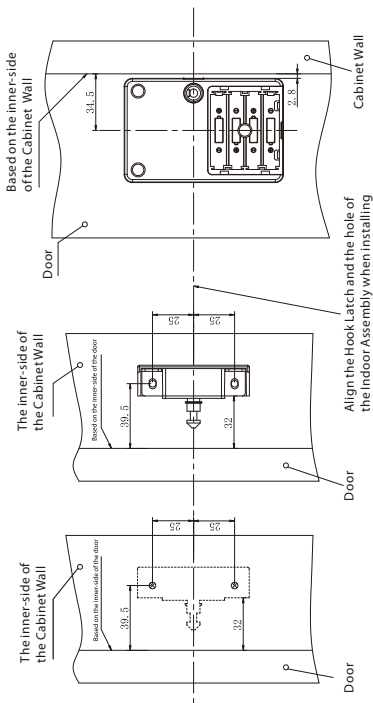
Cabinet Wall

Door

Slide Opening Installation Template:



Push-Pull Opening Installation Template:



User Manual

Model: CL10

Version: 1.0

English



Important Notes

1. With factory default settings, only the master password can unlock.
2. Please keep your master card at a safe place, and remember master password.
3. Do not remove the batteries from the lock while it is working.
4. It is necessary to replace the batteries when the lock flashes white light along with a 4 beeps after being turned on.

Table of Contents

Product Overview	1
Definitions	1
How to Use	2
1 Reset the Lock.....	2
2 Activate the Lock	2
3 Set the Master Card.....	2
4 Set the User Card	2
5 Master Card Functions.....	3
6 Delete the User Card.....	3
Programming the Features through Menu	4
Public Mode	5
Password Unlock.....	5
Card Unlock.....	5

Product Overview



Definitions

User Roles: The lock is designed for two user roles, the Administrator and the User. The Administrator group has permission to enter the menu and open the door, but the User group only has permission to open the door and change the user password.

Note: The maximum capacity of all user groups shall be 253 (2 Master Cards, 200 User Cards, 1 Master Password: 12345678 (8 digits), and 50 User Passwords (6 digits)).

Initialization: All registered user data will be deleted and restored to the factory settings, default master password is 12345678.

Usage Modes: The lock works on two modes: Private Mode and Public Mode. Private Mode is suitable for personnel or high-level security applications, and Public Mode is suitable for public uses like Gym's, Spa's, Clubs, etc.

Random Password: To secure the password, users may enter their password with random digits before or after the actual password. The maximum number of entered digits must be less than or equal to 12. Example: If the correct password is 123456, then the random password can be 89123456807, 1234562363, 389123456, etc.

Note: This feature works for Private Mode only.

Emergency Charging: A micro-USB interface is provided at the bottom of the Outdoor Assembly.

Always Open Mode: This function is to always keep the door open, which is suitable for meeting rooms and places with no access restrictions.

Low Battery Warning: If the battery power is low, the lock will beep five times. In this case, customers can still unlock 100 times. Please change the batteries in time.

How to Use

1 Reset the Lock

Press and hold the **Reset** Button for 3 seconds; until the lock beeps long and a red LED flashes rapidly.

2 Activate the Lock

Touch the keypad with the back of your hand or fingers to activate the lock.

3 Register the Master Card

Swipe a card to register it as a Master card.

A white LED flashes for **8 seconds** with a beep.

Note: The first swiped card will be registered as a Master card, and the second swiped card will be another Master card.

4 Register the User Card

- a. Touch a Master Card to unlock.
- b. Swipe a card to set the card as a User Card.

A white LED blinks for **8 seconds** with a beep.

Note:

1. Register the next user card within 5 secs otherwise, swipe the Master card again.
2. A maximum of 200 User Cards can be registered.

5 Master Card Functions

Swipe Card Times	Function	Status
1	Unlock, and register User Cards	Beeps once White LED blinks
2	Delete User Card	Beeps once Red LED blinks
3	Delete lost User Card	Beeps twice Red LED blinks
5	Delete all User Cards	Beeps thrice with blinking Red LED then beeps twice
7	Initialize	Beeps once with blinking Red LED then beeps twice

6 Delete User Card

1. Delete a single User Card

Swipe the Master Card twice, then swipe the User Card you want to delete, the red LED blinks for 1 second with three beeps, which means deletion succeeded. Repeat the above operation to delete other User Cards.

2. Delete a lost User Card

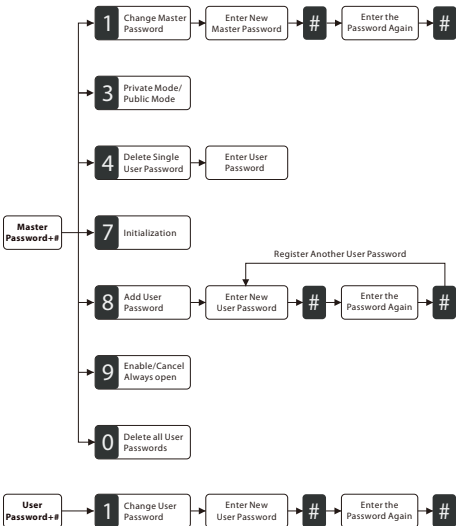
Swipe the Master Card thrice, then swipe the User Card you want to delete, the red LED blinks for 1 second with three beeps, which means deletion succeeded. Repeat the above operation to delete other User Cards.

3. Delete all User Cards

Swipe the Master Card five times, the red LED blinks for 1 second with three beeps, which means all the user cards are deleted successfully.

Programming the Features through Menu

1. Touch the keypad to activate the lock.
2. Verify the password to unlock and access the menu.

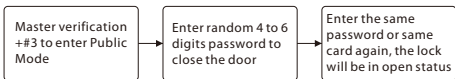


Note:

1. In always open mode, pressing 9 will cancel the mode, if not, it will enable the mode.
2. The "Delete single User password" function: For example of 3 passwords: 123456, 234567, 345678, if you want to delete 345678, just enter 234567.
3. The above all functions work in Private Mode only.
4. If the password is entered wrongly for five times, the keypad will be locked for 5 minutes. Please enter the correct password.

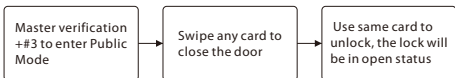
Public Mode

Password Unlock



In this mode, door will be in unlock status, the passcode will be invalid after verifying unlocking and locking. If users forget the password, they can unlock with Master password/Mater card.

Card Unlock



In this mode, door will be in unlock status, the card will be invalid after verifying unlocking and locking. If users lose the card, they can unlock with Master password/Mater card.



Warning:

This device complies with Part 15 of the FCC Rules. Operation is subject to the following two conditions: (1) This device may not cause harmful interference, and (2) this device must accept any interference received, including interference that may cause undesired operation.

This equipment has been tested and found to comply with the limits for a Class B digital device, pursuant to Part 15 of the FCC Rules. These limits are designed to provide reasonable protection against harmful interference in a residential installation. This equipment generates, uses, and can radiate radio frequency energy and, if not installed and used in accordance with the instructions, may cause harmful interference to radio communications. However, there is no guarantee that interference will not occur in a particular installation. If this equipment does cause harmful interference to radio or television reception, which can be determined by turning the equipment off and on, the user is encouraged to try to correct the interference by one or more of the following measures:

- Reorient or relocate the receiving antenna.
- Increase the separation between the equipment and receiver.
- Connect the equipment into an outlet on a circuit different from that to which the receiver is connected.
- Consult the dealer or an experienced radio/TV technician for help.

IMPORTANT! Any changes or modifications not expressly approved by the party responsible for compliance could void the user's authority to operate the equipment.

ZKTeco Industrial Park, No. 32, Industrial Road,

Tangxia Town, Dongguan, China.

Phone : +86 769 - 82109991

Fax : +86 755 - 89602394

www.zkteco.com

