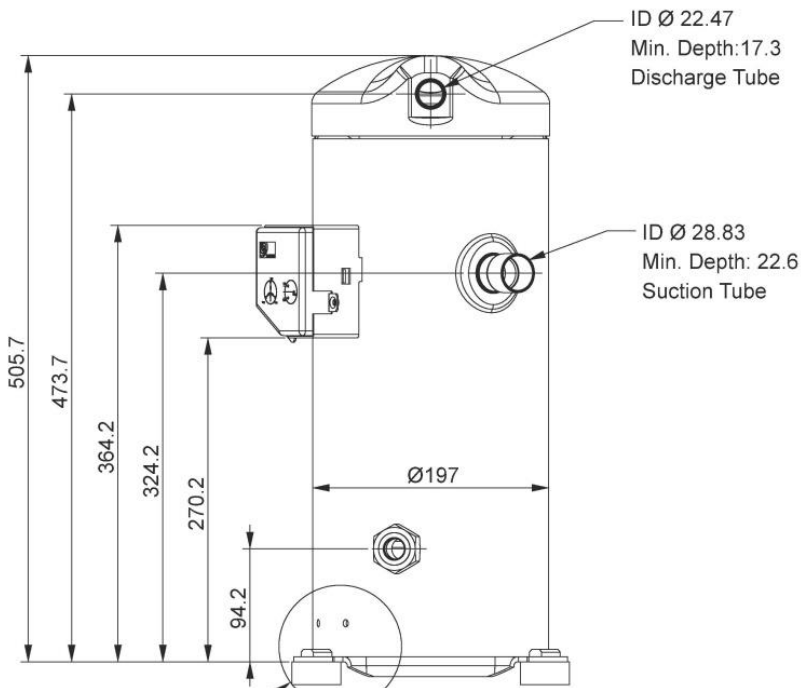
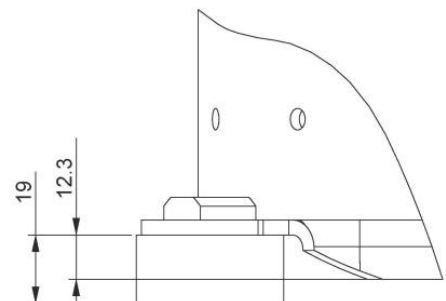


Wiring Diagram



See Details in View of Foot



Foot