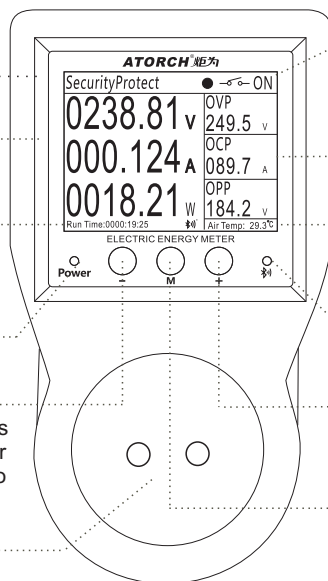


S1-WIFI version Power meter socket

---User Manual---

AC85~265V 50/60HZ 10A/16A



Function title bar

Various measurement parameters

Time and online icon

(Display running time when not connected to the Internet, display calendar, when connected to the Internet)

Power supply indicator

Button-

Short press to switch the switch mode, long press to switch the interface forward. When the number is flashing, short press to decrease, long press to continuously decrease

EU/UK/US/FR four plug options

ON/OFF/Auto switch

Multifunctional display bar

Temperature display

(display the internal temperature when not connected to the Internet, and display the network temperature when connected)

Bluetooth indicator

(when you purchase the Bluetooth version, this light will display the Bluetooth status, the WIFI version will not display)

Button +

Short press to switch the switch mode, long press to switch the interface backwards
When the number is flashing, short press to increase,
Button M is the setting key/menu key
Short press to flash the set number/repeated short press to switch the number position/long press to enter

Specifications:

Model:S1W

Material: ABS + PC

Measuring voltage: AC85-265V

Measuring current: 0-16A Max16A

Power: MAX3680W

Energy Measurement range:0 ~ 99999kWh

Accuracy: +1%

Wireless consumption: <0.3W

frequency: 50 / 60HZ

Power factor: 0-1.00PF

Working temperature: -20°C ~ +60°C

Wi-Fi frequency: 2.412 ~ 2.484 MHz

Working humidity: <80%

Security Type: WEP64 / WEP128 / TKIP / CCMP (AES)

Dimensions: 133X76X73mm

Screen Type:2.4inch TFT-LCD HD Display Panel Graphic 240'RGB'320 Dot-matrix

Date function: month/day

Large screen measurement digital display function Works with Amazon Alexa & Google Home

Smart power outlet works with Amazon Alexa, Smarthint and Google Home,

just say what you want to do and it will happen right away.

*Remote control

*Timer function Socket

*Countdown function

*Over current Protection

*Over voltage protection

*Over Power protection

*Set the electricity unit price function/accumulate electricity bills

*Cycle timing function

Through WiFi power outlet: Just download the **Tuya app** or **Smart life APP**,

plug in a power outlet, and then you can control your lights and other devices anywhere through your smartphone or tablet.

Energy Saving: Ideal for lighting and other devices with adjustable on / off functions, turn on / off according to your specified time.

Some family member can simultaneously control the app, very practical;

Notes:

This meter Only supports 2.4G Wireless Network, NOT for 5G

Be sure to turn on the phone's Bluetooth mode and GPS positioning

Plug type : EU plug / US plug / UK plug/FR plug / (optional)

EU plug type E: Primarily used in France, Belgium, Poland, Slovakia & Czechia

EU plug type F: Used almost everywhere in Europe & Russia, except for the UK & Ireland



Works with
Tuya



Works with
Smart Life

Please search for **tuya** name or **smart life** name in Google Play/Apple Store Download app and install!

Support android app and IOS APP!



For more information, please scan the QR code to visit the official

Mobile and computer APP software download address: <http://www.atorch.cn>