

CD4051BC,CD4051BM,CD4052BC,CD4052BM, CD4053BC,CD4053BM

CD4051BM CD4051BC Single 8-Channel Analog Multiplexer/Demultiplexer

CD4052BM CD4052BC Dual 4-Channel Analog Multiplexer/Demultiplexer CD4053BM

CD4053BC Triple 2-Channel Analog Multiplexer/Demultiplexer



Literature Number: SNOS365A

CD4051BM/CD4051BC Single 8-Channel Analog Multiplexer/Demultiplexer

CD4052BM/CD4052BC Dual 4-Channel Analog Multiplexer/Demultiplexer

CD4053BM/CD4053BC Triple 2-Channel Analog Multiplexer/Demultiplexer

General Description

These analog multiplexers/demultiplexers are digitally controlled analog switches having low "ON" impedance and very low "OFF" leakage currents. Control of analog signals up to $15V_{p-p}$ can be achieved by digital signal amplitudes of 3–15V. For example, if $V_{DD}=5V$, $V_{SS}=0V$ and $V_{EE}=-5V$, analog signals from $-5V$ to $+5V$ can be controlled by digital inputs of 0–5V. The multiplexer circuits dissipate extremely low quiescent power over the full $V_{DD}-V_{SS}$ and $V_{DD}-V_{EE}$ supply voltage ranges, independent of the logic state of the control signals. When a logical "1" is present at the inhibit input terminal all channels are "OFF".

CD4051BM/CD4051BC is a single 8-channel multiplexer having three binary control inputs, A, B, and C, and an inhibit input. The three binary signals select 1 of 8 channels to be turned "ON" and connect the input to the output.

CD4052BM/CD4052BC is a differential 4-channel multiplexer having two binary control inputs, A and B, and an inhibit input. The two binary input signals select 1 or 4 pairs of channels to be turned on and connect the differential analog inputs to the differential outputs.

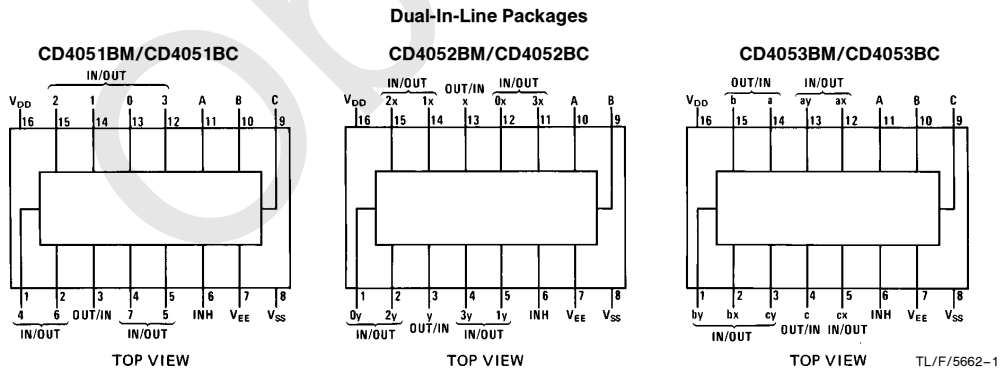
CD4053BM/CD4053BC is a triple 2-channel multiplexer having three separate digital control inputs, A, B, and C, and

an inhibit input. Each control input selects one of a pair of channels which are connected in a single-pole double-throw configuration.

Features

- Wide range of digital and analog signal levels: digital 3–15V, analog to $15V_{p-p}$
- Low "ON" resistance: 80Ω (typ.) over entire $15V_{p-p}$ signal-input range for $V_{DD}-V_{EE}=15V$
- High "OFF" resistance: channel leakage of ± 10 pA (typ.) at $V_{DD}-V_{EE}=10V$
- Logic level conversion for digital addressing signals of 3–15V ($V_{DD}-V_{SS}=3-15V$) to switch analog signals to $15V_{p-p}$ ($V_{DD}-V_{EE}=15V$)
- Matched switch characteristics: $\Delta R_{ON}=5\Omega$ (typ.) for $V_{DD}-V_{EE}=15V$
- Very low quiescent power dissipation under all digital-control input and supply conditions: $1\mu W$ (typ.) at $V_{DD}-V_{SS}=V_{DD}-V_{EE}=10V$
- Binary address decoding on chip

Connection Diagrams



Order Number CD4051B, CD4052B, or CD4053B

Absolute Maximum Ratings

If Military/Aerospace specified devices are required, please contact the National Semiconductor Sales Office/Distributors for availability and specifications.

DC Supply Voltage (V_{DD})	-0.5 V_{DC} to +18 V_{DC}
Input Voltage (V_{IN})	-0.5 V_{DC} to V_{DD} + 0.5 V_{DC}
Storage Temperature Range (T_S)	-65°C to +150°C
Power Dissipation (P_D)	
Dual-In-Line	700 mW
Small Outline	500 mW
Lead Temp. (T_L) (soldering, 10 sec.)	260°C

Recommended Operating Conditions

DC Supply Voltage (V_{DD})	+5 V_{DC} to +15 V_{DC}
Input Voltage (V_{IN})	0V to V_{DD} V_{DC}
Operating Temperature Range (T_A)	
4051BM/4052BM/4053BM	-55°C to +125°C
4051BC/4052BC/4053BC	-40°C to +85°C

DC Electrical Characteristics (Note 2)

Symbol	Parameter	Conditions	-55°C		+25°			+125°C		Units
			Min	Max	Min	Typ	Max	Min	Max	
I_{DD}	Quiescent Device Current	$V_{DD}=5V$ $V_{DD}=10V$ $V_{DD}=15V$		5			5		150	μA
				10			10		300	μA
				20			20		600	μA

Signal Inputs (V_{IS}) and Outputs (V_{OS})

R_{ON}	"ON" Resistance (Peak for $V_{EE} \leq V_{IS} \leq V_{DD}$)	$R_L = 10 \text{ k}\Omega$ (any channel selected)	$V_{DD}=2.5V$, $V_{EE}=-2.5V$ or $V_{DD}=5V$, $V_{EE}=0V$		800		270	1050		1300	Ω
			$V_{DD}=5V$ $V_{EE}=-5V$ or $V_{DD}=10V$, $V_{EE}=0V$		310		120	400		550	Ω
			$V_{DD}=7.5V$, $V_{EE}=-7.5V$ or $V_{DD}=15V$, $V_{EE}=0V$		200		80	240		320	Ω
ΔR_{ON}	Δ "ON" Resistance Between Any Two Channels	$R_L = 10 \text{ k}\Omega$ (any channel selected)	$V_{DD}=2.5V$, $V_{EE}=-2.5V$ or $V_{DD}=5V$, $V_{EE}=0V$				10				Ω
			$V_{DD}=5V$, $V_{EE}=-5V$ or $V_{DD}=10V$, $V_{EE}=0V$				10				Ω
			$V_{DD}=7.5V$, $V_{EE}=-7.5V$ or $V_{DD}=15V$, $V_{EE}=0V$				5				Ω
	"OFF" Channel Leakage Current, any channel "OFF"	$V_{DD}=7.5V$, $V_{EE}=-7.5V$ $O/I = \pm 7.5V$, $I/O = 0V$		± 50		± 0.01	± 50		± 500	nA	
	"OFF" Channel Leakage Current, all channels "OFF" (Common OUT/IN)	Inhibit = 7.5V	CD4051	± 200		± 0.08	± 200		± 2000	nA	
$V_{DD}=7.5V$, $V_{EE}=-7.5V$, $O/I=0V$,		CD4052	± 200		± 0.04	± 200		± 2000	nA		
$I/O = \pm 7.5V$		CD4053	± 200		± 0.02	± 200		± 2000	nA		

Control Inputs A, B, C and Inhibit

V_{IL}	Low Level Input Voltage	$V_{EE}=V_{SS}$ $R_L=1 \text{ k}\Omega$ to V_{SS} $I_{IS} < 2 \mu A$ on all OFF channels $V_{IS}=V_{DD}$ thru $1 \text{ k}\Omega$ $V_{DD}=5V$ $V_{DD}=10V$ $V_{DD}=15V$								
				1.5			1.5		1.5	V
				3.0			3.0		3.0	V
				4.0			4.0		4.0	V
V_{IH}	High Level Input Voltage	$V_{DD}=5$ $V_{DD}=10$ $V_{DD}=15$	3.5		3.5			3.5		V
			7		7			7	V	
			11		11			11	V	

Note 1: "Absolute Maximum Ratings" are those values beyond which the safety of the device cannot be guaranteed. Except for "Operating Temperature Range" they are not meant to imply that the devices should be operated at these limits. The table of "Electrical Characteristics" provides conditions for actual device operation.

Note 2: All voltages measured with respect to V_{SS} unless otherwise specified.

DC Electrical Characteristics (Note 2) (Continued)

Symbol	Parameter	Conditions	-40°C		+25°C			+85°C		Units		
			Min	Max	Min	Typ	Max	Min	Max			
I _{IN}	Input Current	V _{DD} = 15V, V _{EE} = 0V V _{IN} = 0V		-0.1		-10 ⁻⁵	-0.1		-1.0	μA		
		V _{DD} = 15V, V _{EE} = 0V V _{IN} = 15V		0.1		10 ⁻⁵	0.1		1.0	μA		
I _{DD}	Quiescent Device Current	V _{DD} = 5V		20			20		150	μA		
		V _{DD} = 10V		40			40		300	μA		
		V _{DD} = 15V		80			80		600	μA		
Signal Inputs (V_{IS}) and Outputs (V_{OS})												
R _{ON}	"ON" Resistance (Peak for V _{EE} ≤ V _{IS} ≤ V _{DD})	R _L = 10 kΩ (any channel selected)	V _{DD} = 2.5V, V _{EE} = -2.5V or V _{DD} = 5V, V _{EE} = 0V		850		270	1050		1200	Ω	
		V _{DD} = 5V, V _{EE} = -5V or V _{DD} = 10V, V _{EE} = 0V		330		120	400		520	Ω		
		V _{DD} = 7.5V, V _{EE} = -7.5V or V _{DD} = 15V, V _{EE} = 0V		210		80	240		300	Ω		
ΔR _{ON}	Δ"ON" Resistance Between Any Two Channels	R _L = 10 kΩ (any channel selected)	V _{DD} = 2.5V, V _{EE} = -2.5V or V _{DD} = 5V, V _{EE} = 0V				10			Ω		
		V _{DD} = 5V, V _{EE} = -5V or V _{DD} = 10V, V _{EE} = 0V				10			Ω			
		V _{DD} = 7.5V, V _{EE} = -7.5V or V _{DD} = 15V, V _{EE} = 0V				5			Ω			
	"OFF" Channel Leakage Current, any channel "OFF"	V _{DD} = 7.5V, V _{EE} = -7.5V O/I = ±7.5V, I/O = 0V		±50		±0.01	±50		±500	nA		
	"OFF" Channel Leakage Current, all channels "OFF" (Common OUT/IN)	Inhibit = 7.5V CD4051		±200		±0.08	±200		±2000	nA		
V _{DD} = 7.5V, V _{EE} = -7.5V, O/I = 0V CD4052			±200		±0.04	±200		±2000	nA			
I/O = ±7.5V CD4053			±200		±0.02	±200		±2000	nA			
Control Inputs A, B, C and Inhibit												
V _{IL}	Low Level Input Voltage	V _{EE} = V _{SS} R _L = 1 kΩ to V _{SS} I _{IS} < 2 μA on all OFF Channels V _{IS} = V _{DD} thru 1 kΩ	V _{DD} = 5V		1.5				1.5		V	
			V _{DD} = 10V		3.0				3.0		V	
			V _{DD} = 15V		4.0				4.0		4.0	V
			V _{DD} = 5	3.5		3.5			3.5			V
V _{IH}	High Level Input Voltage	V _{DD} = 10	7		7			7		V		
		V _{DD} = 15	11		11			11		V		
		V _{DD} = 15V, V _{EE} = 0V V _{IN} = 0V		-0.1		-10 ⁻⁵	-0.1		-1.0	μA		
I _{IN}	Input Current	V _{DD} = 15V, V _{EE} = 0V V _{IN} = 15V		0.1		10 ⁻⁵	0.1		1.0	μA		

Note 1: "Absolute Maximum Ratings" are those values beyond which the safety of the device cannot be guaranteed. Except for "Operating Temperature Range" they are not meant to imply that the devices should be operated at these limits. The table of "Electrical Characteristics" provides conditions for actual device operation.

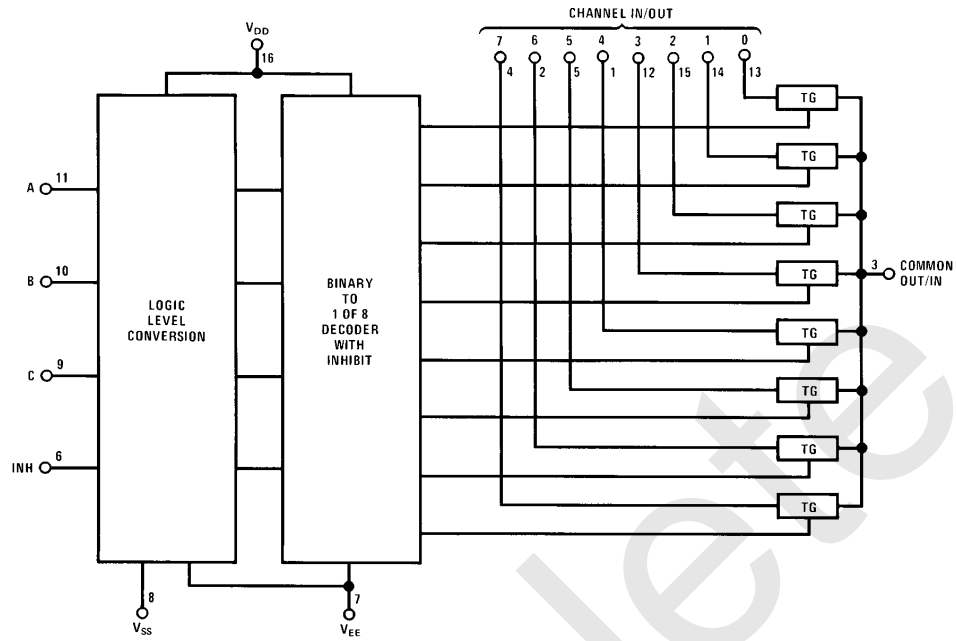
Note 2: All voltages measured with respect to V_{SS} unless otherwise specified.

AC Electrical Characteristics* $T_A = 25^\circ\text{C}$, $t_r = t_f = 20\text{ ns}$, unless otherwise specified.

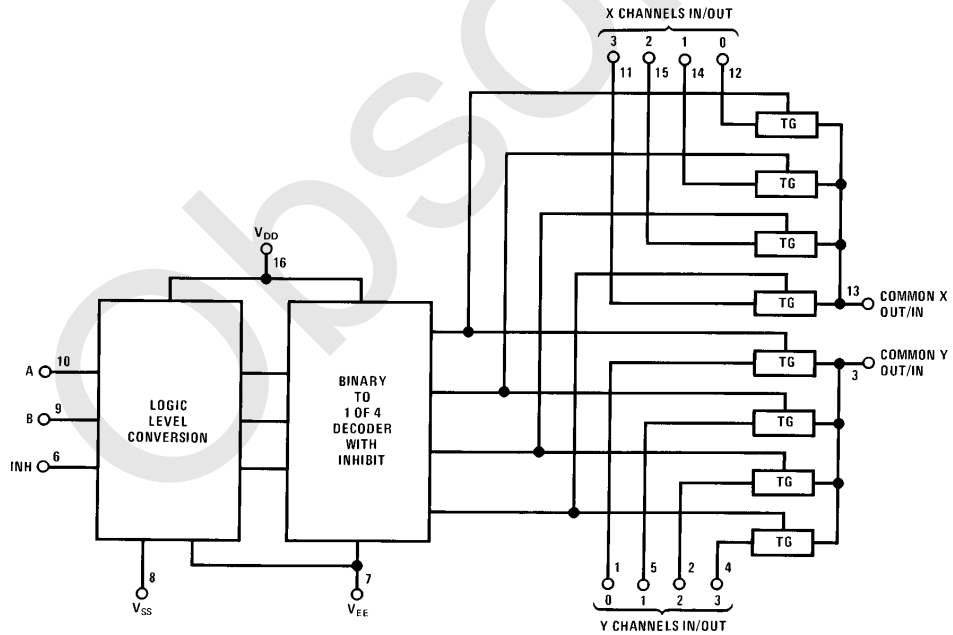
Symbol	Parameter	Conditions	V_{DD}	Min	Typ	Max	Units
t_{PZH} , t_{PZL}	Propagation Delay Time from Inhibit to Signal Output (channel turning on)	$V_{EE} = V_{SS} = 0V$ $R_L = 1\text{ k}\Omega$ $C_L = 50\text{ pF}$	5V 10V 15V		600 225 160	1200 450 320	ns ns ns
t_{PHZ} , t_{PLZ}	Propagation Delay Time from Inhibit to Signal Output (channel turning off)	$V_{EE} = V_{SS} = 0V$ $R_L = 1\text{ k}\Omega$ $C_L = 50\text{ pF}$	5V 10V 15V		210 100 75	420 200 150	ns ns ns
C_{IN}	Input Capacitance Control input Signal Input (IN/OUT)				5 10	7.5 15	pF pF
C_{OUT}	Output Capacitance (common OUT/IN)						
	CD4051 CD4052 CD4053	$V_{EE} = V_{SS} = 0V$	10V 10V 10V		30 15 8		pF pF pF
C_{IOS}	Feedthrough Capacitance				0.2		pF
C_{PD}	Power Dissipation Capacitance						
	CD4051 CD4052 CD4053				110 140 70		pF pF pF
Signal Inputs (V_{IS}) and Outputs (V_{OS})							
	Sine Wave Response (Distortion)	$R_L = 10\text{ k}\Omega$ $f_{IS} = 1\text{ kHz}$ $V_{IS} = 5\text{ V}_{p-p}$ $V_{EE} = V_{SI} = 0V$	10V		0.04		%
	Frequency Response, Channel "ON" (Sine Wave Input)	$R_L = 1\text{ k}\Omega$, $V_{EE} = 0V$, $V_{IS} = 5\text{ V}_{p-p}$, $20 \log_{10} V_{OS}/V_{IS} = -3\text{ dB}$	10V		40		MHz
	Feedthrough, Channel "OFF"	$R_L = 1\text{ k}\Omega$, $V_{EE} = V_{SS} = 0V$, $V_{IS} = 5\text{ V}_{p-p}$, $20 \log_{10} V_{OS}/V_{IS} = -40\text{ dB}$	10V		10		MHz
	Crosstalk Between Any Two Channels (frequency at 40 dB)	$R_L = 1\text{ k}\Omega$, $V_{EE} = V_{SS} = 0V$, $V_{IS}(A) = 5\text{ V}_{p-p}$, $20 \log_{10} V_{OS}(B)/V_{IS}(A) = -40\text{ dB}$ (Note 3)	10V		3		MHz
t_{PHL} , t_{PLH}	Propagation Delay Signal Input to Signal Output	$V_{EE} = V_{SS} = 0V$ $C_L = 50\text{ pF}$	5V 10V 15V		25 15 10	55 35 25	ns ns ns
Control Inputs, A, B, C and Inhibit							
	Control Input to Signal Crosstalk	$V_{EE} = V_{SS} = 0V$, $R_L = 10\text{ k}\Omega$ at both ends of channel. Input Square Wave Amplitude = 10V	10V		65		mV (peak)
t_{PHL} , t_{PLH}	Propagation Delay Time from Address to Signal Output (channels "ON" or "OFF")	$V_{EE} = V_{SS} = 0V$ $C_L = 50\text{ pF}$	5V 10V 15V		500 180 120	1000 360 240	ns ns ns
*AC Parameters are guaranteed by DC correlated testing. Note 3: A, B are two arbitrary channels with A turned "ON" and B "OFF".							

Block Diagrams

CD4051BM/CD4051BC



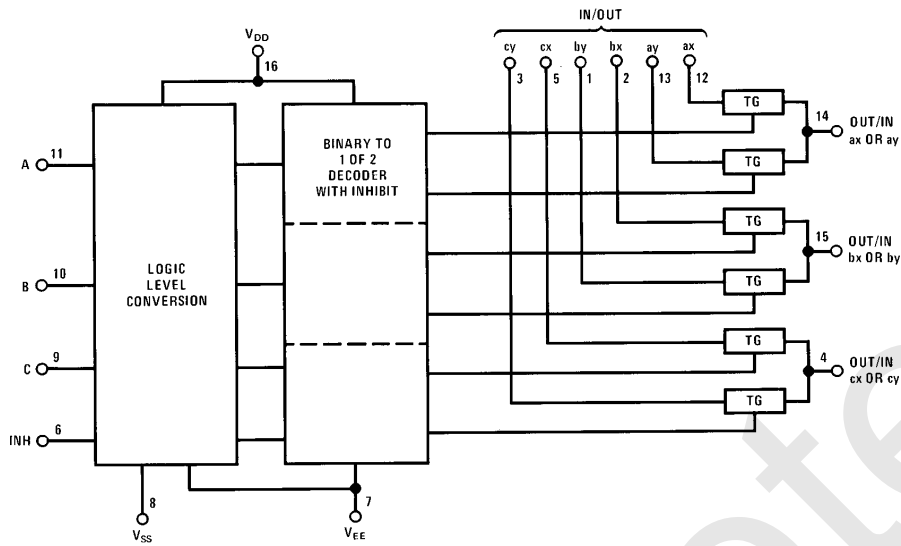
CD4052BM/CD4052BC



TL/F/5662-2

Block Diagrams (Continued)

CD4053BM/CD4053BC



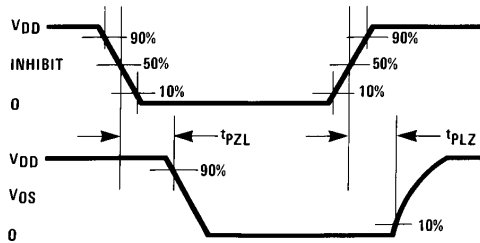
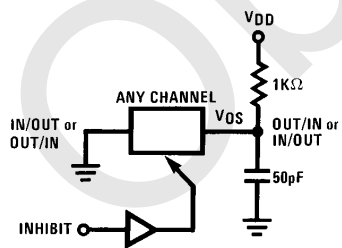
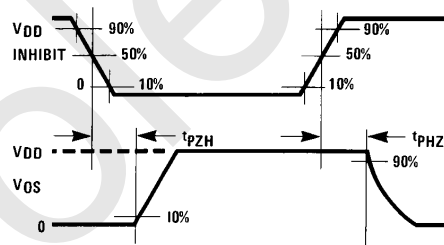
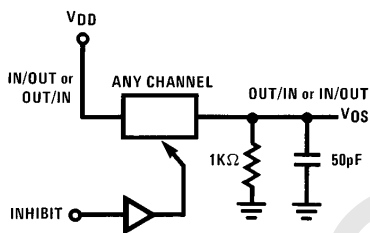
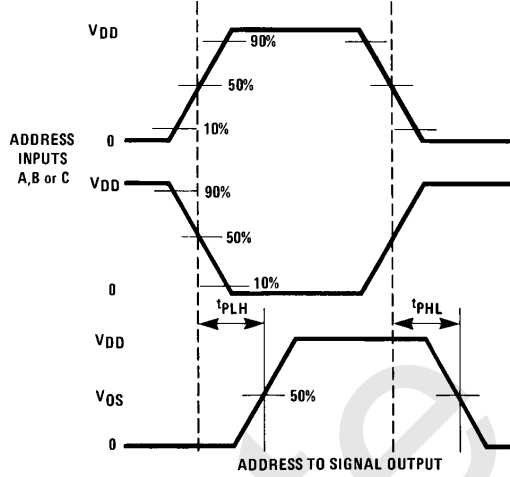
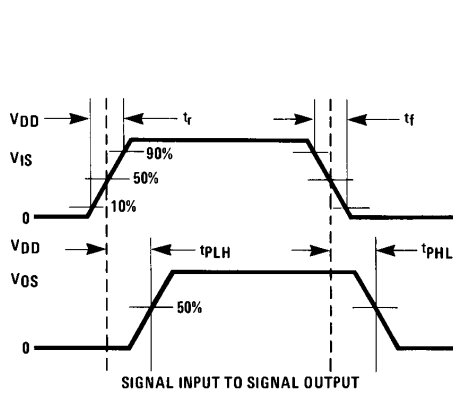
TL/F/5662-3

Truth Table

INPUT STATES				"ON" CHANNELS		
INHIBIT	C	B	A	CD4051B	CD4052B	CD4053B
0	0	0	0	0	0X, 0Y	cx, bx, ax
0	0	0	1	1	1X, 1Y	cx, bx, ay
0	0	1	0	2	2X, 2Y	cx, by, ax
0	0	1	1	3	3X, 3Y	cx, by, ay
0	1	0	0	4		cy, bx, ax
0	1	0	1	5		cy, bx, ay
0	1	1	0	6		cy, by, ax
0	1	1	1	7		cy, by, ay
1	*	*	*	NONE	NONE	NONE

*Don't Care condition.

Switching Time Waveforms



TL/F/5662-4

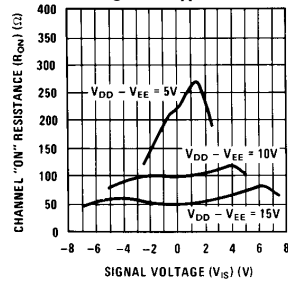
Special Considerations

In certain applications the external load-resistor current may include both V_{DD} and signal-line components. To avoid drawing V_{DD} current when switch current flows into IN/OUT pin, the voltage drop across the bidirectional switch must

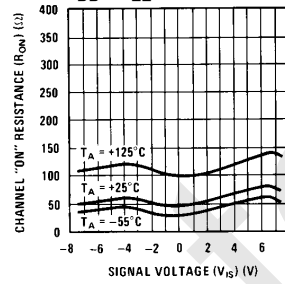
not exceed 0.6V at $T_A \leq 25^\circ\text{C}$, or 0.4V at $T_A > 25^\circ\text{C}$ (calculated from R_{ON} values shown). No V_{DD} current will flow through R_L if the switch current flows into OUT/IN pin.

Typical Performance Characteristics

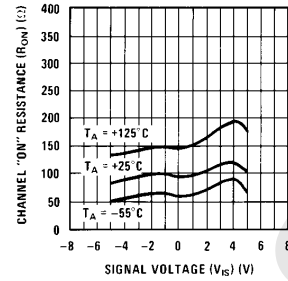
“ON” Resistance vs Signal Voltage for $T_A = 25^\circ\text{C}$



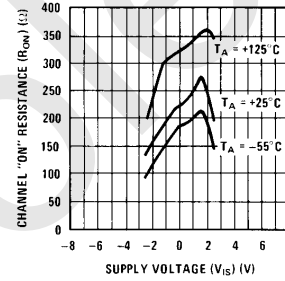
“ON” Resistance as a Function of Temperature for $V_{DD} - V_{EE} = 15\text{V}$



“ON” Resistance as a Function of Temperature for $V_{DD} - V_{EE} = 10\text{V}$

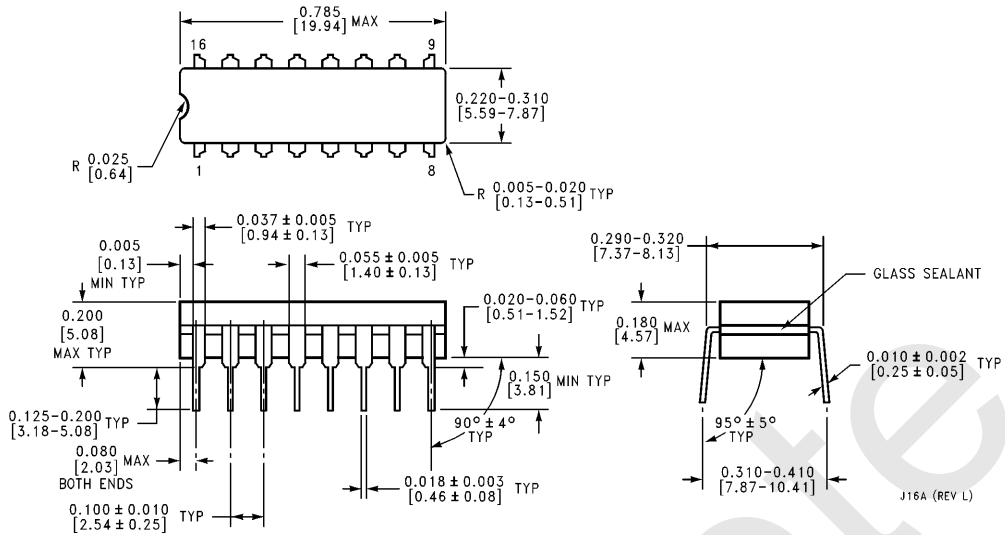


“ON” Resistance as a Function of Temperature for $V_{DD} - V_{EE} = 5\text{V}$

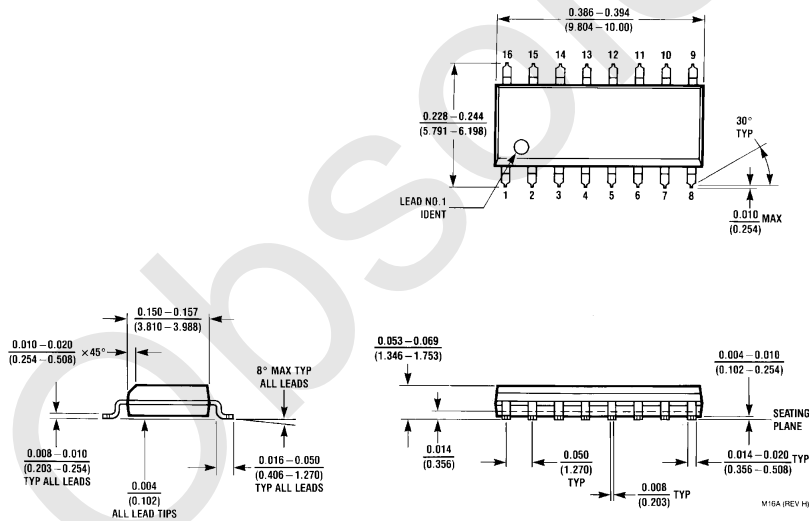


TL/F/5662-5

Physical Dimensions inches (millimeters)

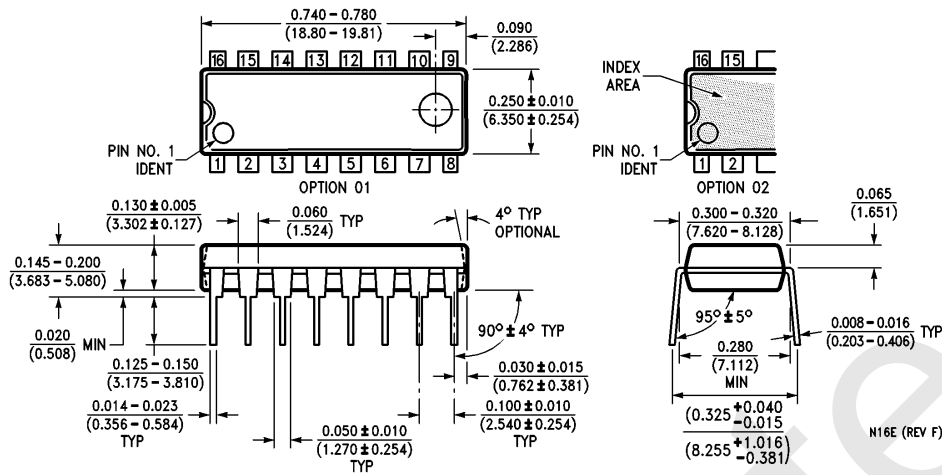


Cavity Dual-In-Line Package (J)
Order Number CD4051BMJ, CD4051BCJ, CD4052BMJ,
CD4052BCJ, CD4053BMJ or CD4053BCJ
NS Package Number J16A



Small Outline Package (M)
Order Number CD4051BCM,
CD4052BCM or CD4053BCM
NS Package Number M16A

Physical Dimensions inches (millimeters) (Continued)



Molded Dual-In-Line Package (N)
Order CD4051BM, CD4051BC,
CD4052BM, CD4052BC, CD4053BM, CD4053BC
NS Package Number N16E

LIFE SUPPORT POLICY

NATIONAL'S PRODUCTS ARE NOT AUTHORIZED FOR USE AS CRITICAL COMPONENTS IN LIFE SUPPORT DEVICES OR SYSTEMS WITHOUT THE EXPRESS WRITTEN APPROVAL OF THE PRESIDENT OF NATIONAL SEMICONDUCTOR CORPORATION. As used herein:

- Life support devices or systems are devices or systems which, (a) are intended for surgical implant into the body, or (b) support or sustain life, and whose failure to perform, when properly used in accordance with instructions for use provided in the labeling, can be reasonably expected to result in a significant injury to the user.
- A critical component is any component of a life support device or system whose failure to perform can be reasonably expected to cause the failure of the life support device or system, or to affect its safety or effectiveness.



National Semiconductor Corporation
 1111 West Bardin Road
 Arlington, TX 76017
 Tel: 1(800) 272-9959
 Fax: 1(800) 737-7018

National Semiconductor Europe
 Fax: (+49) 0-180-530 85 86
 Email: onjwge@tevm2.nsc.com
 Deutsch Tel: (+49) 0-180-530 85 85
 English Tel: (+49) 0-180-532 78 32
 Français Tel: (+49) 0-180-532 93 58
 Italiano Tel: (+49) 0-180-534 16 80

National Semiconductor Hong Kong Ltd.
 19th Floor, Straight Block,
 Ocean Centre, 5 Canton Rd.
 Tsimshatsui, Kowloon
 Hong Kong
 Tel: (852) 2737-1600
 Fax: (852) 2736-9960

National Semiconductor Japan Ltd.
 Tel: 81-043-299-2309
 Fax: 81-043-299-2408

National does not assume any responsibility for use of any circuitry described, no circuit patent licenses are implied and National reserves the right at any time without notice to change said circuitry and specifications.

IMPORTANT NOTICE

Texas Instruments Incorporated and its subsidiaries (TI) reserve the right to make corrections, modifications, enhancements, improvements, and other changes to its products and services at any time and to discontinue any product or service without notice. Customers should obtain the latest relevant information before placing orders and should verify that such information is current and complete. All products are sold subject to TI's terms and conditions of sale supplied at the time of order acknowledgment.

TI warrants performance of its hardware products to the specifications applicable at the time of sale in accordance with TI's standard warranty. Testing and other quality control techniques are used to the extent TI deems necessary to support this warranty. Except where mandated by government requirements, testing of all parameters of each product is not necessarily performed.

TI assumes no liability for applications assistance or customer product design. Customers are responsible for their products and applications using TI components. To minimize the risks associated with customer products and applications, customers should provide adequate design and operating safeguards.

TI does not warrant or represent that any license, either express or implied, is granted under any TI patent right, copyright, mask work right, or other TI intellectual property right relating to any combination, machine, or process in which TI products or services are used. Information published by TI regarding third-party products or services does not constitute a license from TI to use such products or services or a warranty or endorsement thereof. Use of such information may require a license from a third party under the patents or other intellectual property of the third party, or a license from TI under the patents or other intellectual property of TI.

Reproduction of TI information in TI data books or data sheets is permissible only if reproduction is without alteration and is accompanied by all associated warranties, conditions, limitations, and notices. Reproduction of this information with alteration is an unfair and deceptive business practice. TI is not responsible or liable for such altered documentation. Information of third parties may be subject to additional restrictions.

Resale of TI products or services with statements different from or beyond the parameters stated by TI for that product or service voids all express and any implied warranties for the associated TI product or service and is an unfair and deceptive business practice. TI is not responsible or liable for any such statements.

TI products are not authorized for use in safety-critical applications (such as life support) where a failure of the TI product would reasonably be expected to cause severe personal injury or death, unless officers of the parties have executed an agreement specifically governing such use. Buyers represent that they have all necessary expertise in the safety and regulatory ramifications of their applications, and acknowledge and agree that they are solely responsible for all legal, regulatory and safety-related requirements concerning their products and any use of TI products in such safety-critical applications, notwithstanding any applications-related information or support that may be provided by TI. Further, Buyers must fully indemnify TI and its representatives against any damages arising out of the use of TI products in such safety-critical applications.

TI products are neither designed nor intended for use in military/aerospace applications or environments unless the TI products are specifically designated by TI as military-grade or "enhanced plastic." Only products designated by TI as military-grade meet military specifications. Buyers acknowledge and agree that any such use of TI products which TI has not designated as military-grade is solely at the Buyer's risk, and that they are solely responsible for compliance with all legal and regulatory requirements in connection with such use.

TI products are neither designed nor intended for use in automotive applications or environments unless the specific TI products are designated by TI as compliant with ISO/TS 16949 requirements. Buyers acknowledge and agree that, if they use any non-designated products in automotive applications, TI will not be responsible for any failure to meet such requirements.

Following are URLs where you can obtain information on other Texas Instruments products and application solutions:

Products

Audio	www.ti.com/audio
Amplifiers	amplifier.ti.com
Data Converters	dataconverter.ti.com
DLP® Products	www.dlp.com
DSP	dsp.ti.com
Clocks and Timers	www.ti.com/clocks
Interface	interface.ti.com
Logic	logic.ti.com
Power Mgmt	power.ti.com
Microcontrollers	microcontroller.ti.com
RFID	www.ti-rfid.com
OMAP Mobile Processors	www.ti.com/omap
Wireless Connectivity	www.ti.com/wirelessconnectivity

Applications

Communications and Telecom	www.ti.com/communications
Computers and Peripherals	www.ti.com/computers
Consumer Electronics	www.ti.com/consumer-apps
Energy and Lighting	www.ti.com/energy
Industrial	www.ti.com/industrial
Medical	www.ti.com/medical
Security	www.ti.com/security
Space, Avionics and Defense	www.ti.com/space-avionics-defense
Transportation and Automotive	www.ti.com/automotive
Video and Imaging	www.ti.com/video

TI E2E Community Home Page

e2e.ti.com

Mailing Address: Texas Instruments, Post Office Box 655303, Dallas, Texas 75265
Copyright © 2011, Texas Instruments Incorporated