

M12 female 0° A-cod. screw terminal4-pol., max. 0,75mm² 4 - 6mm

Female straight

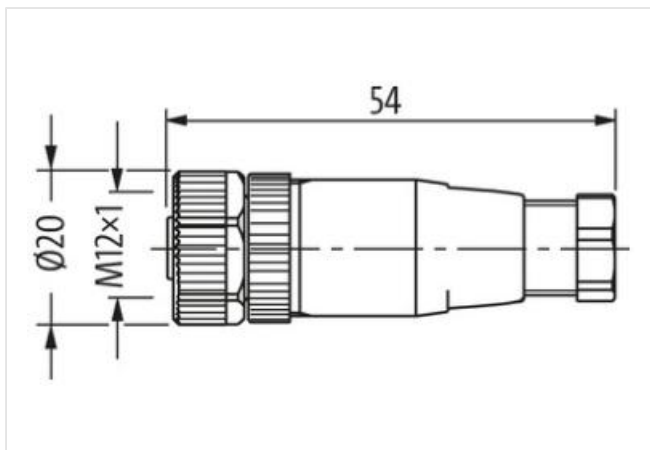
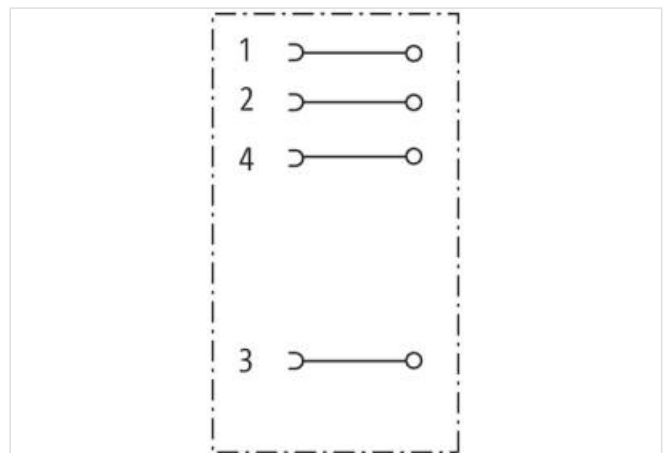
M12, 4-pole

Screw terminals

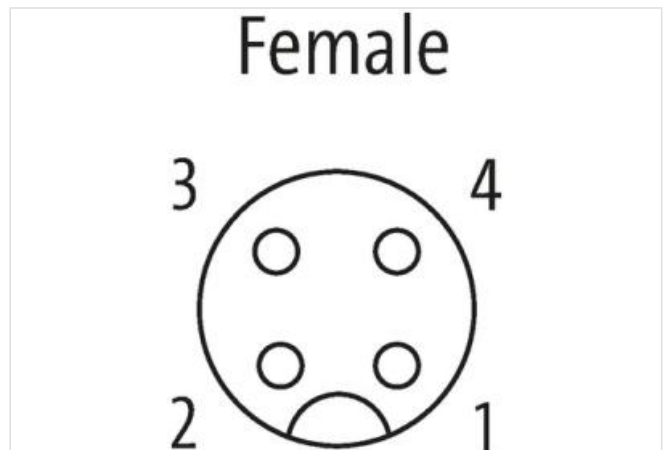
Sealing range (cable Ø): 4...6 mm

Plastic housings with good resistance against chemicals and oils.

The resistance to aggressive media should be individually tested for your application. Further details on request.

[Link to Product](#)**Illustration**

Product may differ from Image

**Form**

Form 12901

Technical Data

Operating voltage max. 250 V AC/DC

Operating current per contact max. 4 A

Locking of ports	Screw thread (M12×1 mm) recommended torque 0.6 Nm, self-securing
Connection cross section	max. 0.75 mm ²
Sealing range (cable Ø)	4...6 mm
Protection	IP67 inserted and tightened (EN 60529)

General data

Temperature range	-40...+85 °C
Dimensions H×W×D	54×20×20 mm