

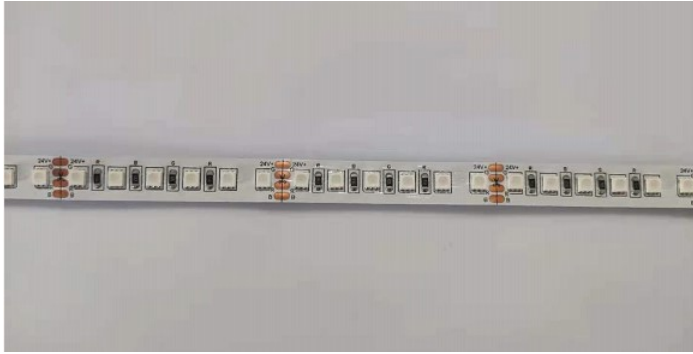
# Specification

Prepared	Checked	Approved	Accepted	Confirmed	Approved

<b>CE</b>	<b>RoHS</b>	<b>3838</b> SMD	<b>120</b> LEDS/M	<b>LED</b> <b>Strip</b>	<b>DC</b> <b>24V</b>	<b>IP</b> <b>20</b>	<b>3</b> years
-----------	-------------	--------------------	----------------------	----------------------------	-------------------------	------------------------	-------------------

**Model:** RD00C0JP

 5000\*10 mm, 600 pcs 3838 SMD LED, bare board series,  
 24Vdc, constant voltage

**Figure:**

**Features:**

- ⊙ Adopt 3838 SMD LED, high strength, high reliability;
- ⊙ Good color uniformity;
- ⊙ Vertical soldering pad;
- ⊙ Aesthetic and minimalist design;
- ⊙ CE, ROHS compliant;

**Applications:**

- ⊙ Suitable for hotel, shopping mall, home, cabinet, show frame, etc.

**Warranty:**

- ⊙ 3 years or 13,000 hours, whichever comes first.

### Optical and Electrical Parameters:

P/N	LED Color	CCT (K) WL (nm)	CRI	SDCM	Beam Angle (°)	Luminous Flux (lm/m)	Luminous Efficacy (lm/W)	Working voltage (VDC)	Working current(mA)		Power(w)
									1m[39.37in]	1m[39.37in]	
RD00C0JP	Red	620-625	--	--	≥115	110	23	24	0.2	4.8	
	Green	520-525	--	--		259	54		0.2	4.8	
	Blue	465-470	--	--		62.5	13		0.2	4.8	

**Others:**

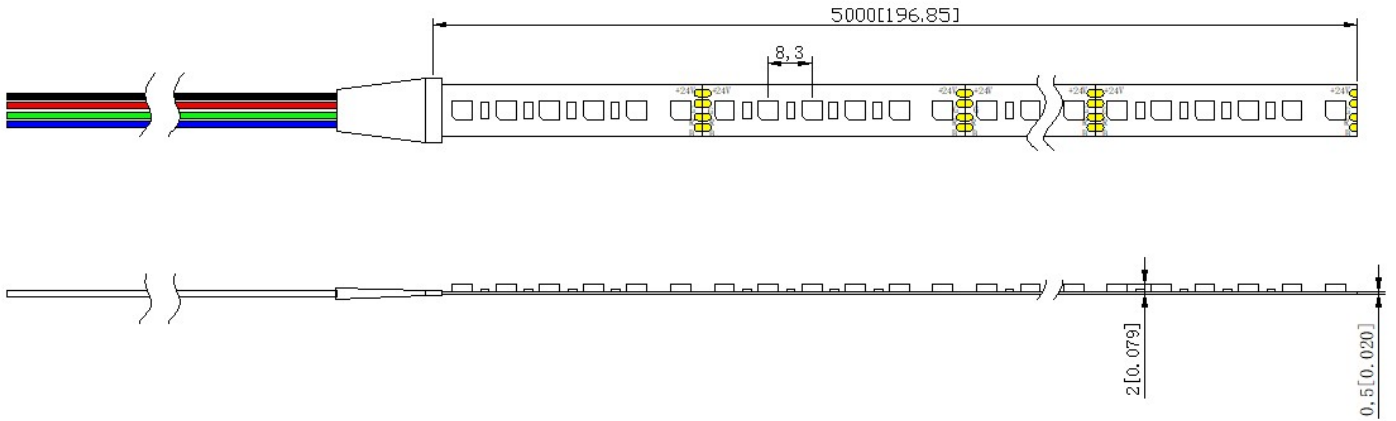
P/N	IP Grade	Operating Temp		Storage Temp		Standard length		Max. cascading length		LED Qty (pcs/m)	Weight	
		(°C)	(°F)	(°C)	(°F)	(m)	(inch)	(m)	(inch)		(g/m)	(lb/m)
RD00C0JP	IP20	-25~ +60	-13~ +140	-25~ +70	-13~ +158	5	196.8	5	196.8	120	/	/

**Notes:**

- (1) Testing environment temperature: 25±2°C [77±3.6°F];
- (2) The actual data of each single product may differ from above typical data which are subject to change without prior notice.
- (3) The above “—” means the parameters are not required temporarily.
- (4) For the color temperature not included in the specification, please refer to the actual data. The parameters of power, luminous flux and efficacy may have ±10% error.

Profile Drawings:

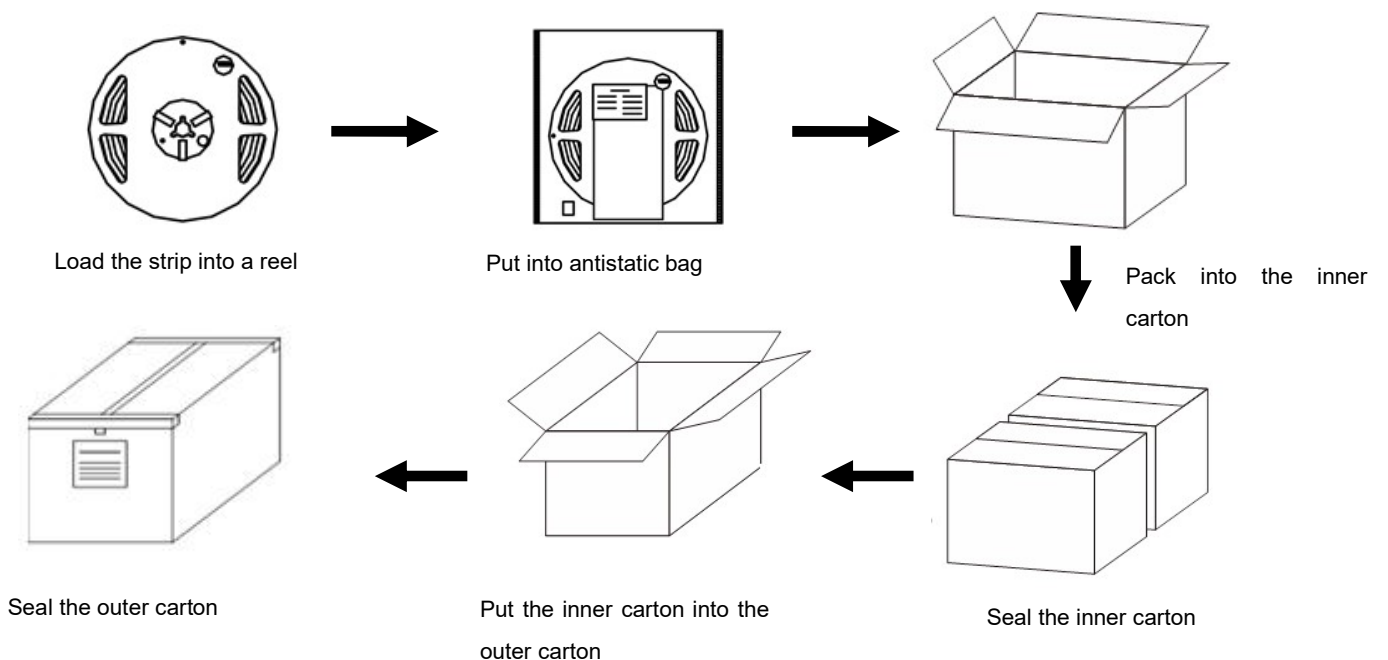
Unit: mm[inch]



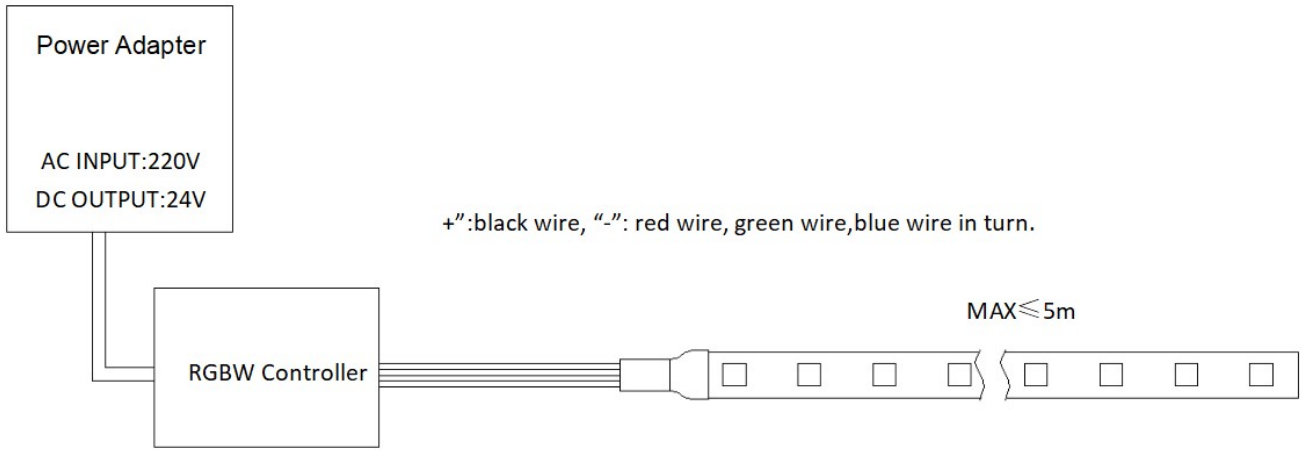
Packaging Information:

P/N	Qty (m/bag)	Qty (m/carton)	Total Qty (m)	Total weight		Outer carton size					
						length		width		height	
				(Kg)	(lb)	(mm)	(inch)	(mm)	(inch)	(mm)	(inch)
RD00C0JP	5	150	150	/	/	405	15.94	256	10.07	238	9.37

Packaging Diagram:



**Connection Instruction:**



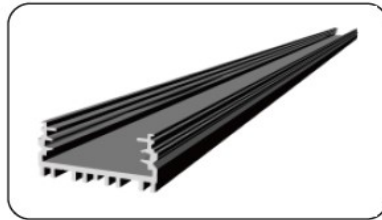
Note: Please connect the '+' and '-' of wires to those of controller output correctly.

**Parts & Tools:**

Product Spare Parts

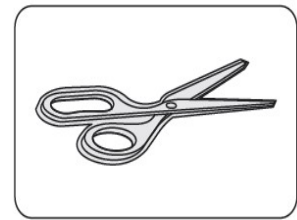


LED Strip



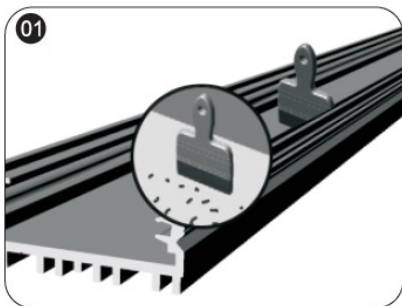
Aluminium profile  
(self-provided or agency purchased)

Self-provided Tools

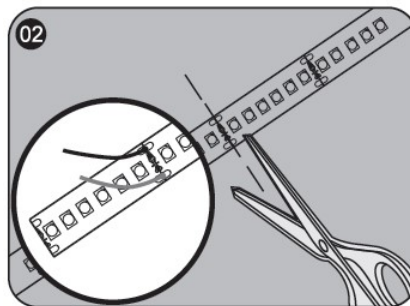


Scissors

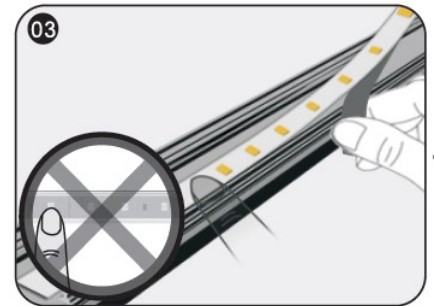
**Installation Steps & Cautions:**



01 Make sure the mounting surface is clean before installation;



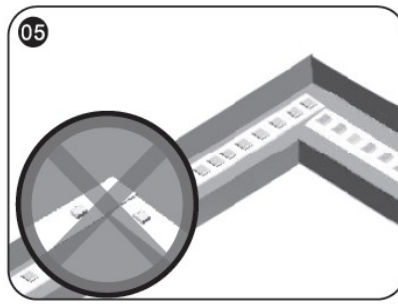
02 Calculate the needed length and cut off the extra length along cutting mark if necessary; if need to add wires, please weld them at the next location with printed mark



03 While sticking strips, peel off the release paper of the tape step by step. Don't peel off all release paper at a time to avoid getting your strip in a mess.  
△Notes: No pressing the bead!



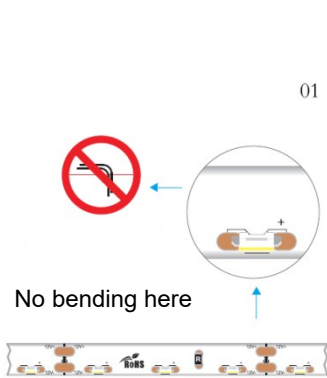
- Stick Mylar tape to isolate the cutting position from the bottom of profile inner slot to avoid short-circuit;



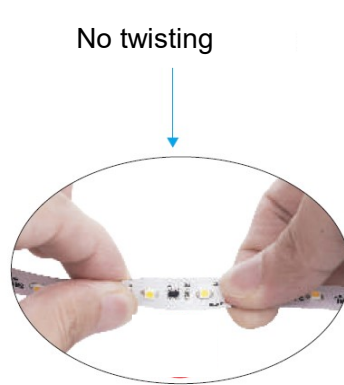
- The installation at the corner is shown as the above figure.  
△ Notes: No bending it into right angle; No twisting it to stick on the mounting surface.



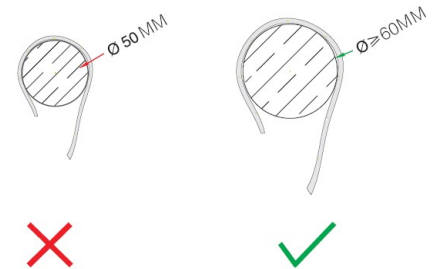
- Connect strip wires to the output terminal of power supply, and dispose with waterproof, insulation, short-circuit and anti-corrosion protection at both the wire joints and the cut section of your strip (if any).



- No bending the strip at the position of LED



- No twisting the strip



- No winding an object with a diameter < 5cm.

**Troubleshooting:**

Malfunctions	Possible Causes	Solutions
All LEDs don't work	1. The power supply did not connect to power grid.	Power on
	2. No electricity due to short-circuit of external power supply.	Remove the malfunction caused by short-circuit, power on again.
	3. The wires of strips connect to power supply output reversely.	Check the connecting and ensure the wires are connected correctly.
Part of LEDs don't work	1. Part of power supplies do not have output.	Check the power supply system.
	2. Part of wires of strips have	

	malfunction.	
	3. Particular modules connected reversely.	Correct connection
Brightness of LEDs is weak or uneven	1. Overloaded power supply;	Replace it with higher power supply
	2. The power loss of power circuit is huge or the power loss of each circuit existing big difference.	Ensure working voltage of strips is within $\pm 5\%V$ of rated voltage. 1. Shorten the length of wires between the first strip and power supply or replaced with wires with bigger diameter; 2. Ensure the cascading qty of string is less than or equal to the allowed maximum cascading qty, and each strip cascading qty is well-balanced.)
	3. Exceed in qty of strips in series	Lessen the cascading qty for strip and ensure the qty for each electrical circuit is within the maximum cascading qty.
LEDs are blinking	1. Poor contacted in the joints.	Find out and tackle malfunction immediately.
	2. Failures in power supply.	Power on

**Declaration:**

- ⊙ If the external flexible cable of light box is damaged, please replace it by its manufacturer or its service agent or qualified person to avoid a hazard.
- ⊙ The specific installation and cautions please refer to the user manual.
- ⊙ The given data in this specification is based on our standard product. There may be existed slight difference compared with actual products.
- ⊙ All Illustrations in this specification are for reference only.
- ⊙ This product is subject to change or modify without prior notice.
- ⊙ RISHANG OPTOELECTRONICS CO., LTD reserves the right of final explanation for this specification.

<End>

**Rishang Optoelectronics Co., Ltd** (stock code: 002654)

Add: Block 2, Hongfa jiateli High-Tech. Park Tangtou Ave., Shiyan, Bao'an Shenzhen Guang Dong, 518108, China.

Tell: +86-755-36988588 E-mail: info@ledlamps.com.cn

Website: [www.ledlamps.com.cn](http://www.ledlamps.com.cn)

Website

WeChat Account

