

# 1-10V Single Color Wall Mounted Controller

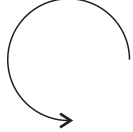
09.2202N110V.04050



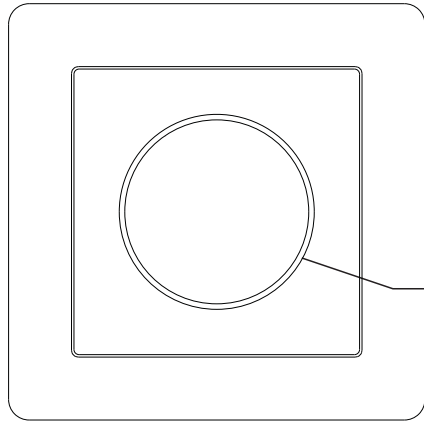
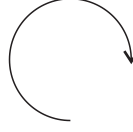
**Important:** Read All Instructions Prior to Installation

## Function introduction

Rotate the knob counterclockwise to decrease light intensity from 100% to 1%.

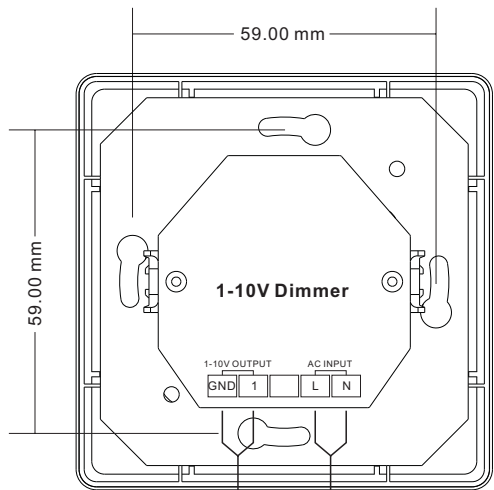
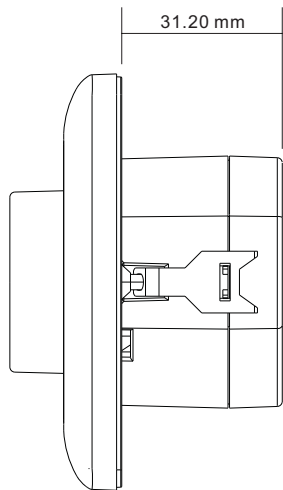


Rotate the knob clockwise to increase light intensity from 1% to 100%.



Click the rotary knob to switch ON/OFF light

Front side



1 channel 1-10V output AC Power input

Back side

## Product Data

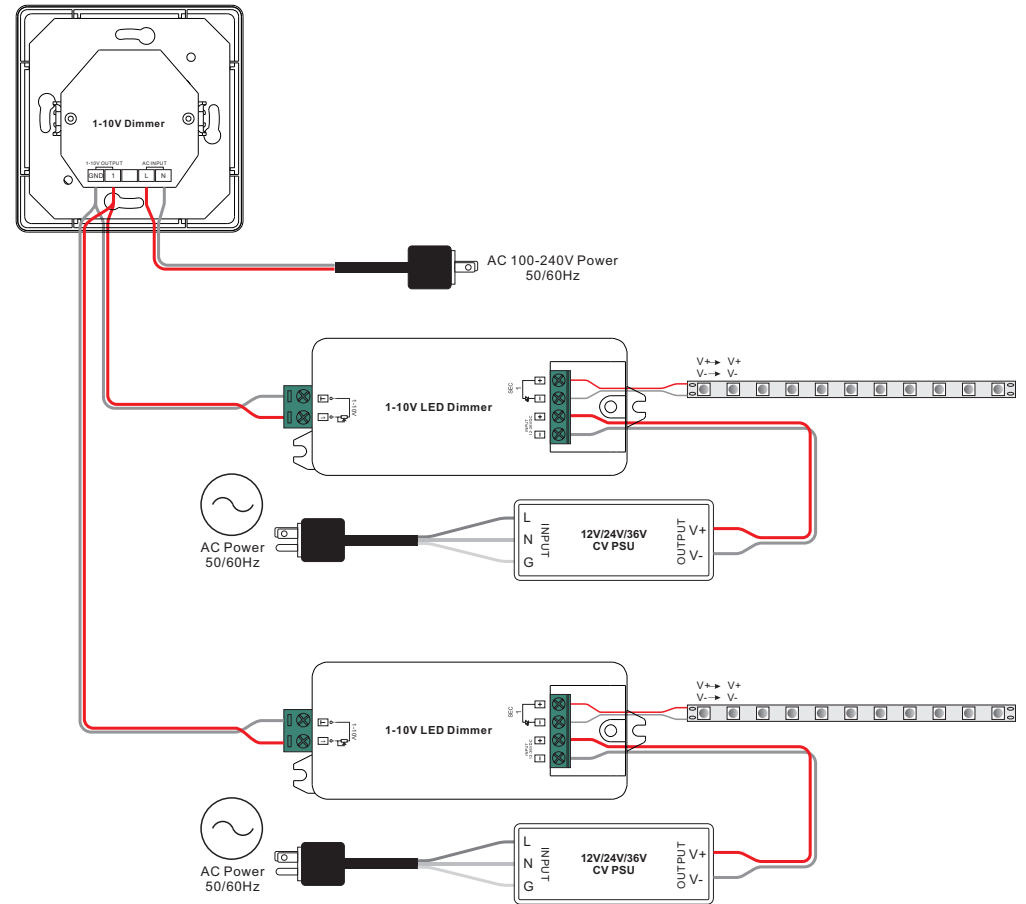
Output Signal	1x(1-10V)
Power Supply	100-240V AC
Power consumption	200 mA
Operating temperature	0-40°C
Relative humidity	8% to 80%
Dimensions	80x80x52.3mm

- Rotation sensitive
- Standard design, The key part of this controller is a universal, extremely rotary standard switch element that can be integrated in numerous frames by different manufactures
- 1 channel 1-10V Signal output
- Control single color
- Waterproof grade: IP20
- 0-10V version for chosen

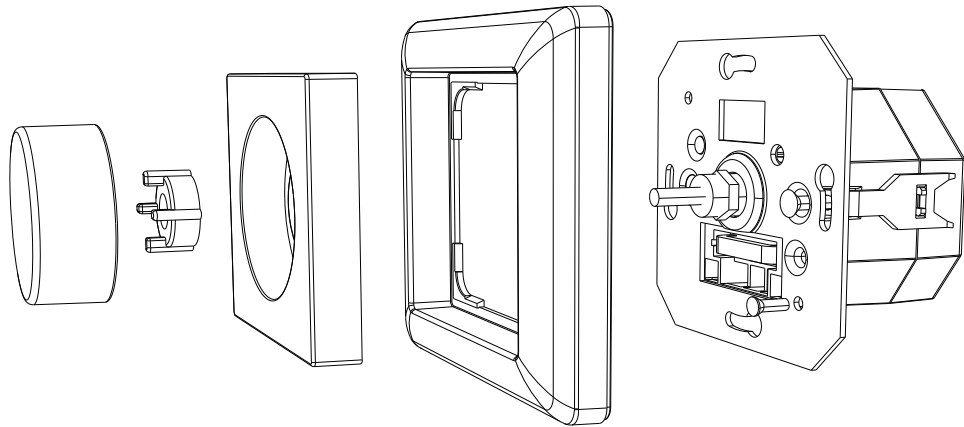
## Safety & Warnings

- DO NOT install with power applied to device.
- DO NOT expose the device to moisture.

## Wiring diagram



## Installation



The key part of this controller is a universal, extremely rotary standard switch element that can be integrated in numerous frames by different manufactures as below list:

BEKER	S1, B1, B3, B7 glass
GIRA	Standard55, E2, Event, Esprit
JUNG	A500, Aplus
MERTEN	M-smart, M-Arc, M-Plan