

RF Touch RGB Controller SR-2806

1. Product Picture



Color Selection Wheel



Color saturation & brightness control

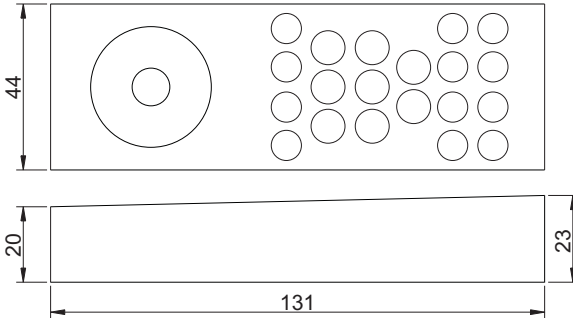


ON/OFF
Brightness
& Program
speed control



Zone Control
Selection

2. Product Size



3. Product Parameter

Operation Voltage.....	4.5VDC
Operation Frequency.....	434MHz/868MHz
Ta.....	-20℃~+50℃
Approval.....	CE/FCC/Rohs
Remarks.....	Touch Sensor

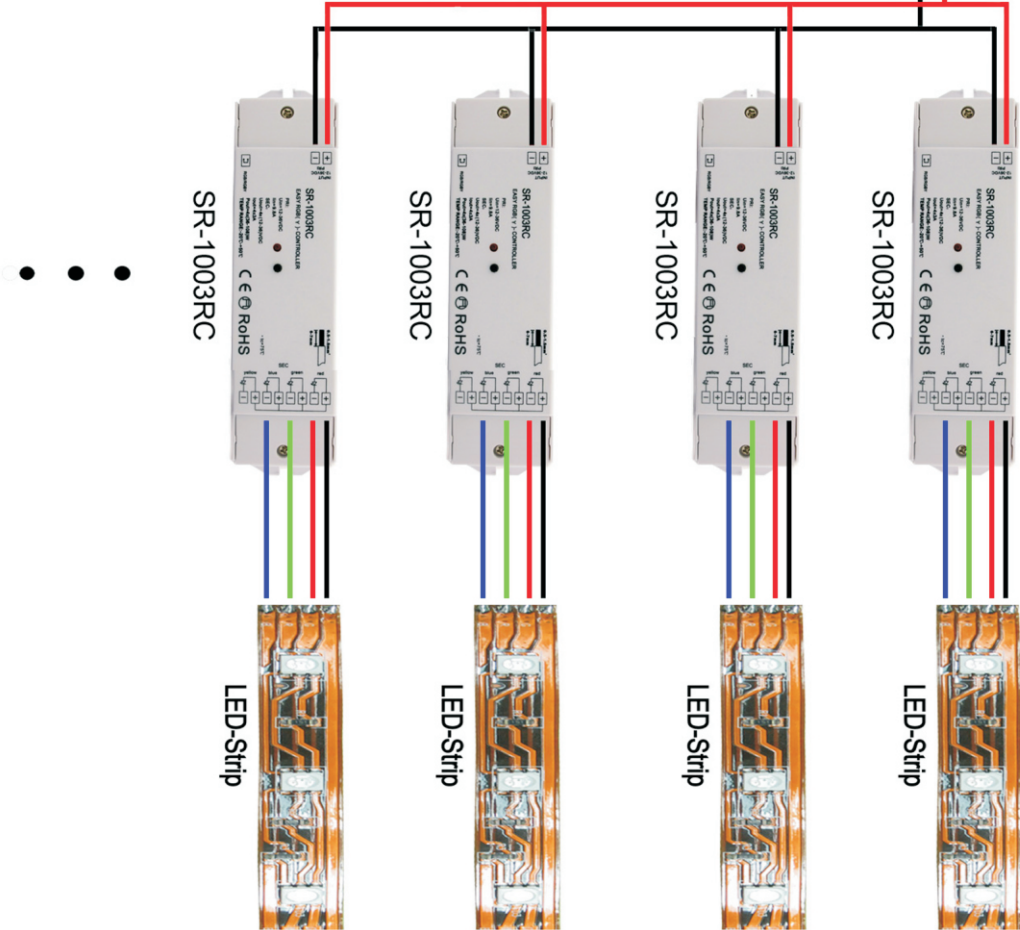
4. Features

- High sensitive & high stable touch color wheel, fast & precise color control.
- Enable to control 10 zones separately. Each zone can switch on/off separately. Changing modes of 10 zones can be synchronized without any confusion.
- 10 changing modes. Enable to stay at any color under situation of color changing modes.
- Adjustable changing speed with 8 levels, quickest speed is 4 S, slowest speed is 256 S.
- Controlling RGBW or RGBY 4 colors that achieve more selectable colors than traditional RGB control.
- To adjust brightness of each color independently that can achieve millions of changing colors
- To work with power repeater to expand output unlimitedly.

5.Wiring diagram



SR-2806



LED-Strip

LED-Strip

LED-Strip

LED-Strip