



GEAR PUMPS

GROUP 3

MODEL MGP

SERIES K

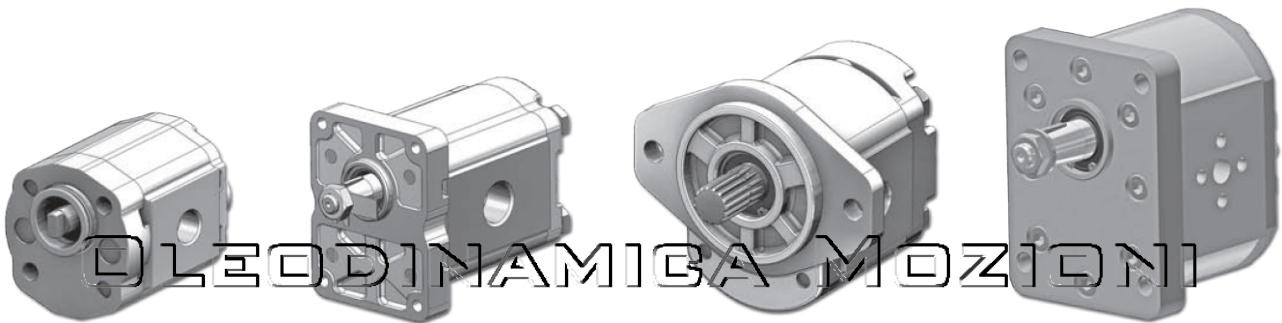
WWW.OLEODINAMICAMOZIONI.IT

GEAR PUMPS SERIES "K" MANUFACTURED BY OLEODINAMICA MOZIONI ARE THE MOST USED IN HYDRAULIC UNITS IN THE HYDRAULIC SYSTEMS OF MOBILE MACHINES AND CONFORM TO INTERNATIONAL STANDARDS.

WE USE THE ADVANCED WORLD'S CONCEPTS - IMPROVING THE TECHNICAL CHARACTERISTICS OF THE PRODUCT, USE ONLY HIGH QUALITY MATERIALS AND HARDWARE MANUFACTURERS OF THE WORLD AT ALL STAGES OF DESIGN AND PRODUCTION. THE QUALITY MANAGEMENT SYSTEM CONFORMS INTERNATIONAL STANDARD ISO 9001: 2008.

GEAR PUMPS SERIES "K" OF OLEODINAMICA MOZIONI HAVE HIGH VOLUMETRIC AND MECHANICAL EFFICIENCY, LOW NOISE AND OPERATE RELIABLY IN A VARIETY HYDRAULIC SYSTEMS AND MOBILE MACHINERY.

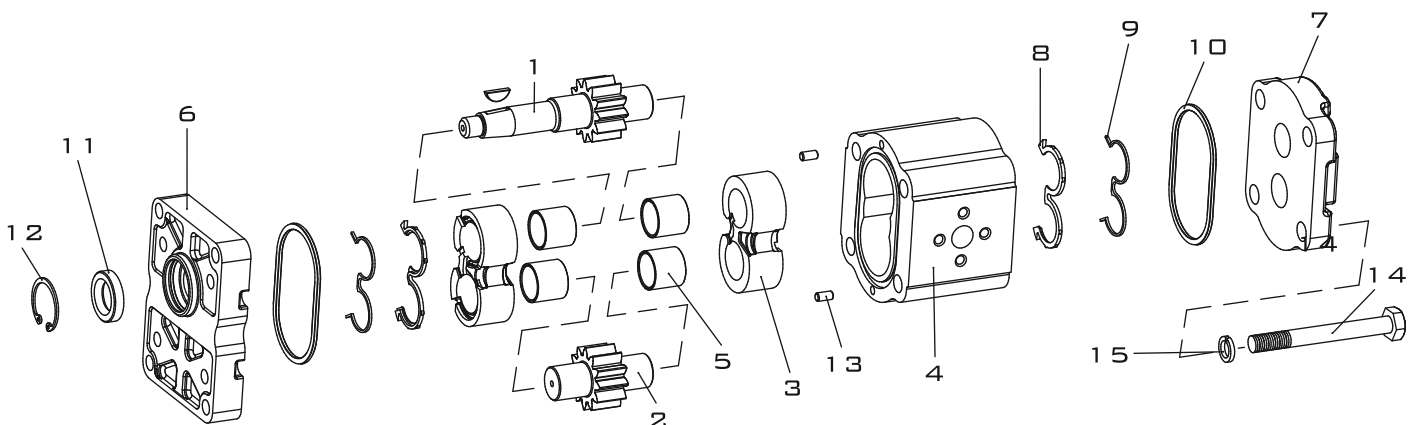
- DIMENSIONS OF THE PUMPS ARE ACCORDING TO INTERNATIONAL STANDARDS SAE, DIN, EUROPEAN.
- GEAR PUMPS ARE SUPPLIED IN NEXT GROUPS: MGP1K, MGP2K, MGP2.5K, MGP3K WITH DISPLACEMENTS FROM 1 TO 90 CM³/REV.
- MAXIMUM CONTINUOUS PRESSURE UP TO 250 BAR.
- MOUNTING FLANGES AND REAR COVERS ARE PRODUCED WITH ALUMINIUM OR CAST IRON.
- BUILT-IN VALVES IN REAR COVER.
- MULTIPLE UNITS AVAILABLE WITH SEPARATED OR COMMON INLET FOR STAGES.
- PUMPS WITH BEARING SUPPORT FOR HEAVY DUTY APPLICATIONS.



GEAR PUMPS SERIES "K" ARE MANUFACTURED WITH THRU-BOLT OF ROLLED ALUMINIUM, MOUNTING FLANGES AND REAR COVERS EITHER IN ALUMINIUM OR IN CAST IRON FOR MOBILE MACHINES, WHERE THERE ARE INCREASED REQUIREMENTS FOR THE NOISE LEVEL.

GEAR PUMPS SERIES "K" HAVE HIGH ANTI-FRICTION AND STRENGTH CHARACTERISTICS. THE SEALS REDUCE INTERNAL FLOW OF THE FLUID AND TO ACHIEVE A HIGH VOLUMETRIC EFFICIENCY.

1. DRIVE SHAFT
2. DRIVEN SHAFT
3. BEARING HOUSING
4. BODY
5. SLIDE BEARING
6. MOUNTING FLANGE
7. REAR COVER
8. COMPENSATION SEAL
9. ANTI-EXTRUSION PLATE
10. SEALING RING
11. SHAFT SEAL
12. STOP RING
13. CENTERING PIN
14. SCREW
15. WASHER





POMPE AD INGRANAGGI

MGP3K

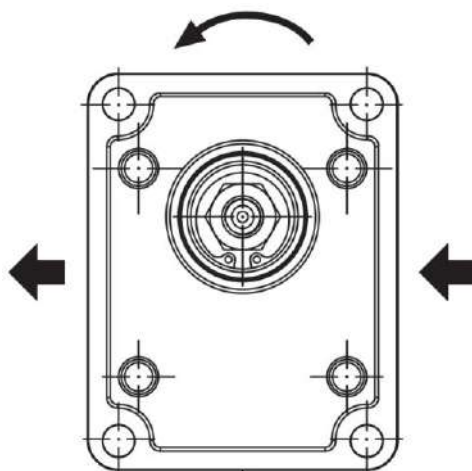
GEAR PUMPS
GROUP 3

WORKING CONDITIONS

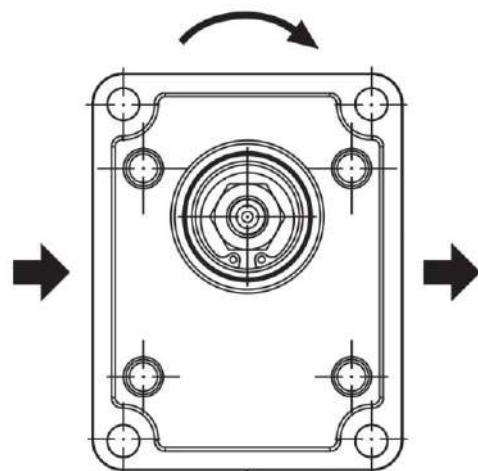
INLET PRESSURE (MAX.)	0.5 – 2.5 BAR
MIN. OPERATING FLUID VISCOSITY	10 MM ² /SEC
MAX. STARTING VISCOSITY (COLD START)	1000 MM ² /SEC
FLUID VISCOSITY RECOMMENDED RANGE	17 – 65 MM ² /SEC
FLUID OPERATING TEMPERATURE RANGE WITH NBR SEALS	-40 + 100 °C
FLUID OPERATING TEMPERATURE RANGE WITH FPM SEALS (VITON)	-20 + 170 °C
HYDRAULIC FLUID	MINERAL OIL
CONTAMINATION CLASS ISO 4406	18/15 (>200 BAR), 19/16 (<200 BAR)
CONTAMINATION CLASS NAS 1638	9 (>200 BAR), 10 (<200 BAR)
ACHIEVED WITH FILTER $\beta_x=75$	15 μ M (>200 BAR), 25 μ M (<200 BAR)

**DEFINITION OF ROTATION DIRECTION
LOOKING ON THE DRIVE SHAFT**

COUNTERCLOCKWISE ROTATION

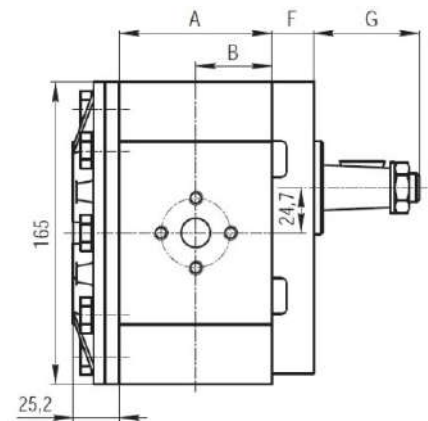
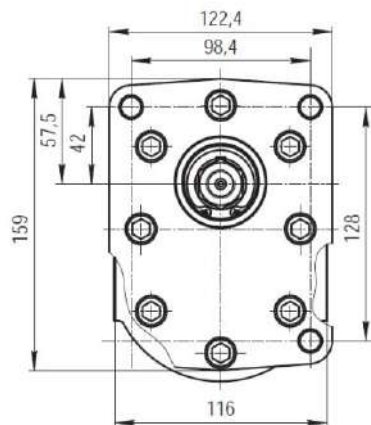


CLOCKWISE ROTATION



TECHNICAL DATA AND INSTALLATION DIMENSIONS

TYPE	MGP3K20	MGP3K23	MGP3K25	MGP3K28	MGP3K32	MGP3K36	MGP3K40	MGP3K45	MGP3K50	MGP3K56	MGP3K63	MGP3K71	MGP3K80	MGP3K90	
DISPLACEMENT, CM ³ /REV	20	23	25	28	32	36	40	45	50	56	63	71	80	90	
DIMENSION A, MM	81,5	83,5	84,8	86,8	89,4	92,0	94,7	98,0	102	105	109	115	120	127	
DIMENSION B, MM	40,8	41,8	42,4	43,4	44,7	46,0	47,4	49,0	51,0	52,5	54,7	57,3	60,2	63,5	
MAX. CONTINUOUS PRESSURE P ₁ , BAR	250	250	250	250	240	240	240	230	210	200	190	170	160	150	
MAX. INTERMITTENT PRESSURE P ₂ , BAR	270	270	270	270	260	260	260	250	230	220	210	190	180	170	
PEAK PRESSURE P ₃ , BAR	300	290	290	290	280	280	280	270	250	230	220	200	190	180	
MAX. SPEED η_{MAX} , MIN ⁻¹	3000								2500				2200		
MIN. SPEED AT P ₁ ≤ 100 BAR, η_{MIN} , MIN ⁻¹	700								600						
WEIGHT*, KG	7,0	7,1	7,2	7,3	7,4	7,6	7,7	7,9	8,1	8,3	8,5	8,8	9,2	9,6	



MGP3K50R-G463B

DIMENSION G SEE AT SECTION "DRIVE SHAFTS"
DIMENSION F SEE AT SECTION "MOUNTING FLANGES"

* - WEIGHT SPECIFIED FOR PUMPS WITH ALUMINUM COVERS.
WEIGHT FOR PUMPS WITH CAST IRON COATINGS MUST BE CLARIFY.


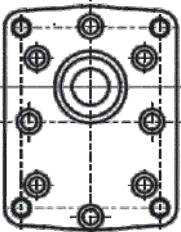
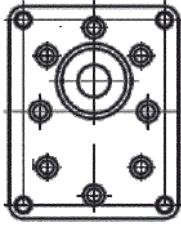
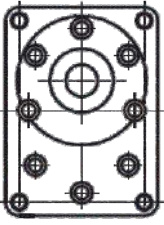
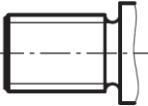
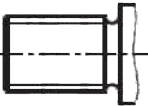
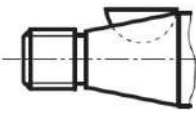
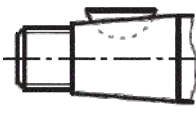
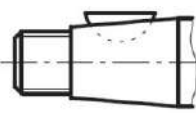

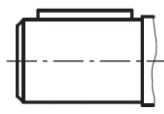


POMPE AD INGRANAGGI

MGP3K

GEAR PUMPS
GROUP 3

COMBINATIONS OF MOUNTING FLANGES & SHAFTS

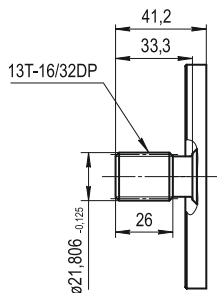
<p>MGP3K</p>	 <p>SAE B 2 BOLTS</p>	 <p>EUROPEAN</p>	 <p>EUROPEAN</p>	 <p>GERMAN</p>
 <p>SAE B SPLINED (13 TEETH)</p>	<p>B5 33</p>			
 <p>SAE BB SPLINED (15 TEETH)</p>	<p>B6 33</p>			
 <p>GERMAN TAPERED 1:5</p>				<p>F4 88</p>
 <p>EUROPEAN TAPERED 1:8</p>		<p>G4 63</p>	<p>G4 64</p>	
 <p>EUROPEAN TAPERED 1:8</p>		<p>G5 63</p>	<p>G5 64</p>	
 <p>SAE B STRAIGHT $\varnothing 22,2$</p>	<p>H3 33</p>			
 <p>SAE BB STRAIGHT $\varnothing 25,4$</p>	<p>H4 33</p>			

THIS COMBINATIONS OF MOUNTING FLANGES AND SHAFTS ARE USED TO SERIAL PRODUCTION. THE OTHER COMBINATIONS AND DATE OF PRODUCTION, BEFORE ORDERING CLARIFY WITH THE MANUFACTURER.

SEE ALSO: MGP1K
MGP2K, MGP2.5K

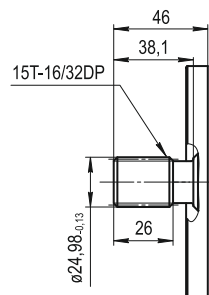
DRIVE SHAFTS

MAX. TORQUE 300 N·M



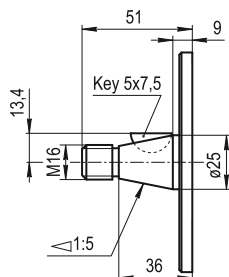
B5 - SAE B SPLINED (13 TEETH)

MAX. TORQUE 450 N·M



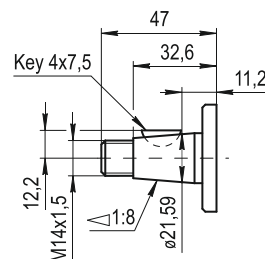
B6 - SAE BB SPLINED (15 TEETH)

MAX. TORQUE 240 N·M



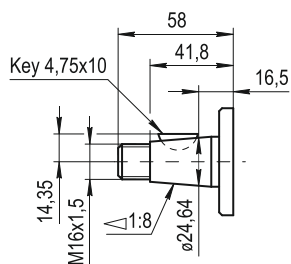
F4 - GERMAN TAPERED 1:5

MAX. TORQUE 240 N·M



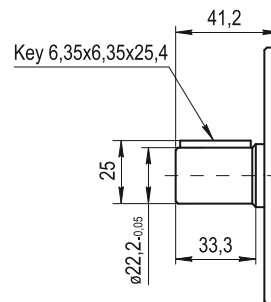
G4 - EUROPEAN TAPERED 1:8

MAX. TORQUE 350 N·M



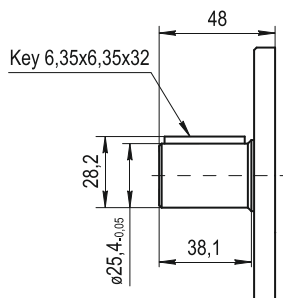
G5 - EUROPEAN TAPERED 1:8

MAX. TORQUE 185 N·M



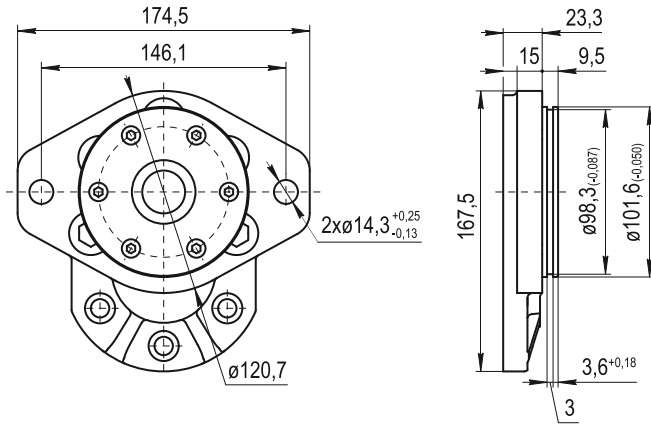
H3 - SAE B STRAIGHT $\varnothing 22,2$

MAX. TORQUE 280 N·M

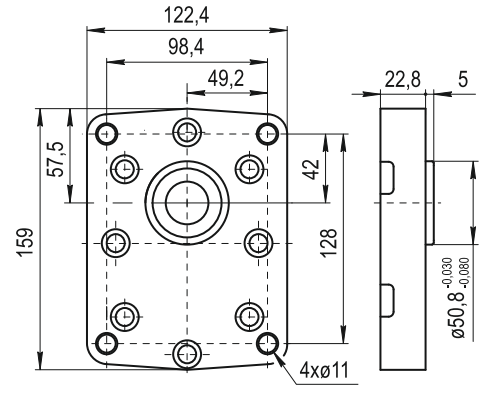


H4 - SAE BB STRAIGHT $\varnothing 25,4$

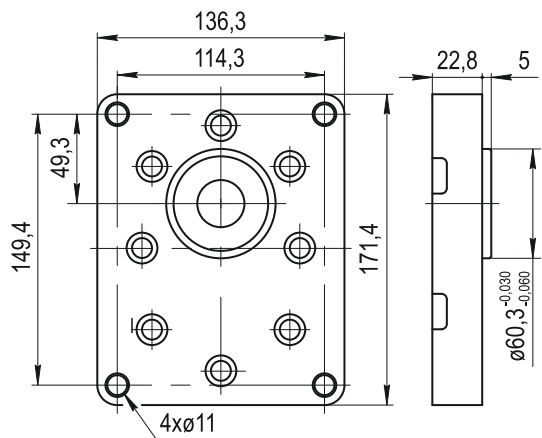
MOUNTING FLANGES



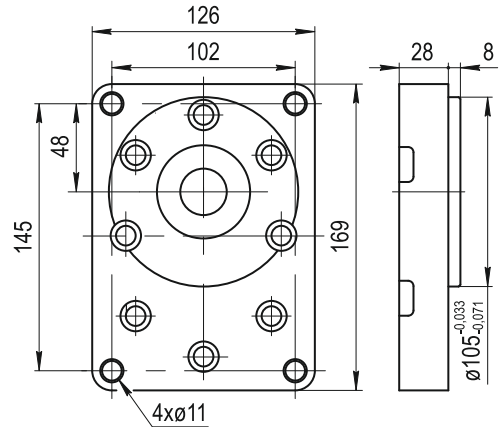
33 - SAE B 2 BOLTS



63 - EUROPEAN Ø50,8

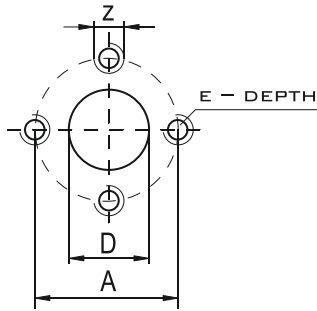


64 - EUROPEAN Ø60,3



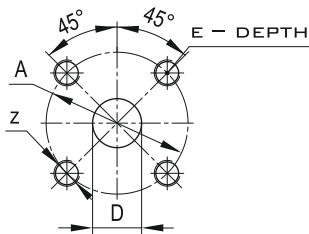
88 - GERMAN Ø105

PORTS



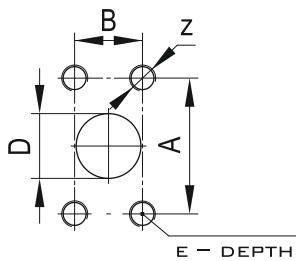
B - EUROPEAN FLANGE

TYPE	INLET				OUTLET			
	D	A	Z	E	D	A	Z	E
MGP3K20÷56	27	51	M10	18	19	40	M8	18
MGP3K63÷90	32	62	M12		27	51	M10	



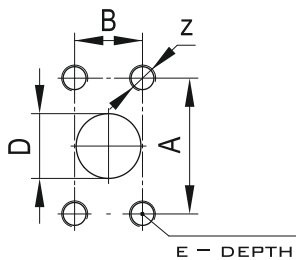
C - GERMAN FLANGE

TYPE	INLET				OUTLET			
	D	A	Z	E	D	A	Z	E
MGP3K20÷56	27	55	M8	16	19	55	M8	16



D - SAE FLANGE (UNC)

TYPE	INLET					OUTLET				
	D	A	B	Z	E	D	A	B	Z	E
MGP3K20÷32	25	52,4	26,2	3/8-16 UNC	16	19	47,6	22,2	3/8-16UNC	16
MGP3K36÷56	32	58,7	30,2	7/16-14 UNC		25	52,4	26,2		
MGP3K63÷80	40	69,8	37,5	1/2-13 UNC		32	58,7	30,2	7/16-14 UNC	
MGP3K90	45	77,8	42,9			40	69,8	37,5	1/2-13 UNC	

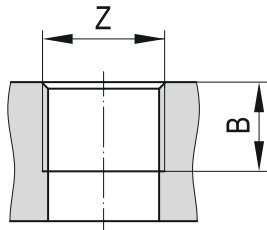


W - SAE FLANGE (METRIC)

TYPE	INLET					OUTLET				
	D	A	B	Z	E	D	A	B	Z	E
MGP3K20÷32	25	52,4	26,2	M10	16	19	47,6	22,2	M10	16
MGP3K36÷56	32	58,7	30,2			25	52,4	26,2		
MGP3K63÷80	40	69,8	37,5	M12		32	58,7	30,2		
MGP3K90	45	77,8	42,9			40	69,8	37,5	M12	

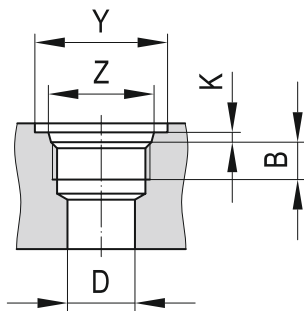


PORTS



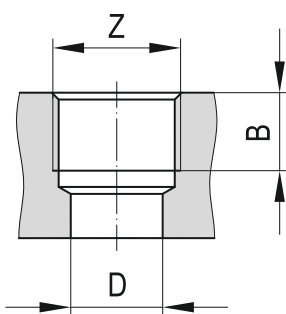
E - METRIC THREADED

TYPE	INLET		OUTLET	
	Z	B	Z	B
MGP3K20÷25	M26x1,5	24	M26x1,5	24
MGP3K28÷50	M33x2		M33x2	
MGP3K56÷90	M42x2		M42x2	



F - SAE THREADED

TYPE	INLET					OUTLET				
	Z	B	D	Y	K	Z	B	D	Y	K
MGP3K20÷25	1 1/16-12 UN	19	20	41	3,3	1 1/16-12 UN	19	20	41	3,3
MGP3K28÷36	1 5/16-12 UN	20	23	49						
MGP3K40÷63	1 5/8-12 UN		30	58						
MGP3K71÷90	1 7/8-12 UN	37	65							



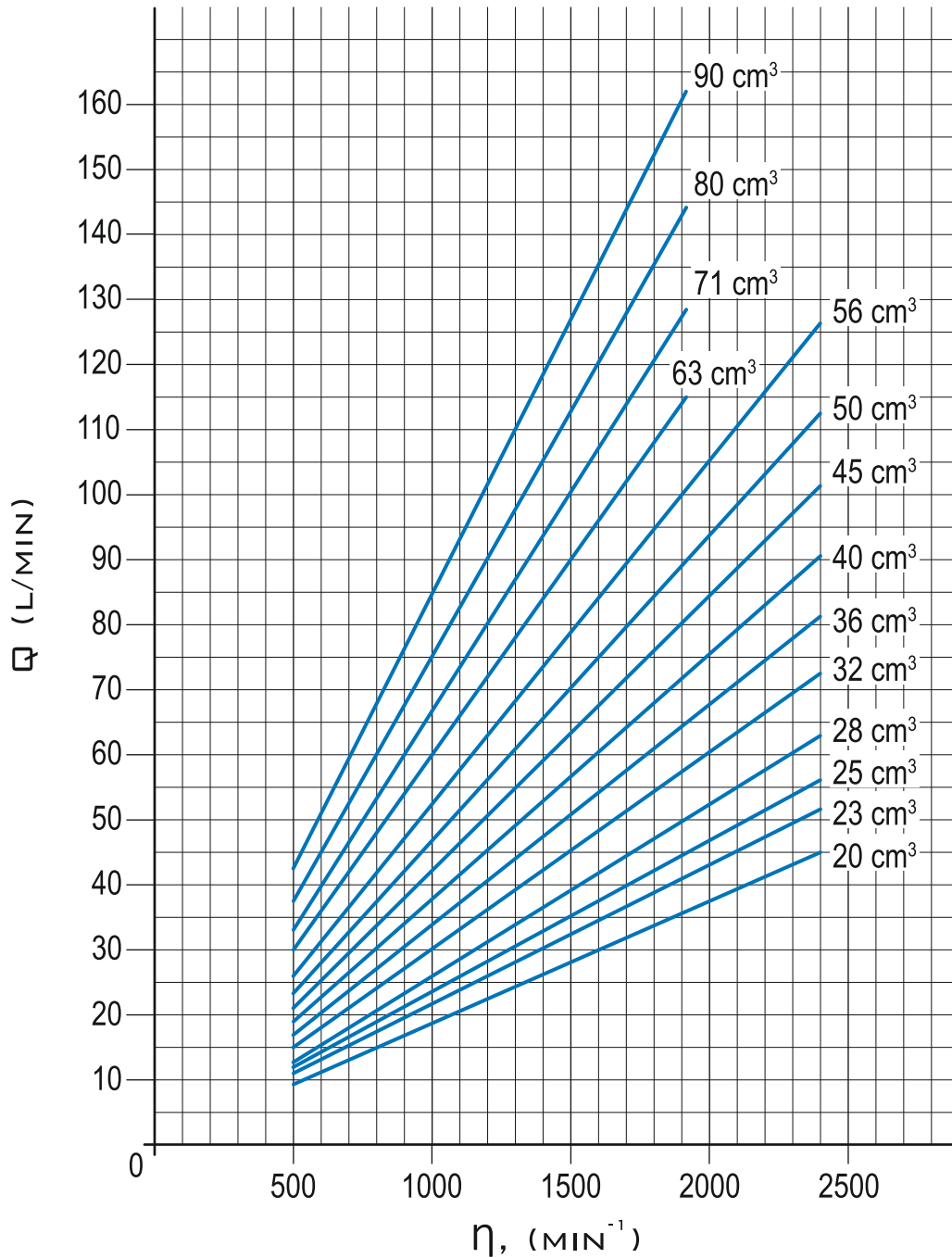
G - GAS THREADED

TYPE	INLET			OUTLET		
	Z	B	D	Z	B	D
MGP3K20÷25	3/4" GAS	19	20	3/4" GAS	19	20
MGP3K28÷50	1" GAS	21	27	1" GAS	21	27
MGP3K56÷71	1 1/4" GAS	21	33			
MGP3K80÷90	1 1/2" GAS	25	38	1 1/4" GAS	21	33



CHARACTERISTIC CURVES

CHARACTERISTIC CURVES CARRIED OUT WITH OIL VISCOSITY AT 16 MM²/SEC,
OIL TEMPERATURE AT 60 °C AND MAX. CONTINUOUS PRESSURES FOR EACH TYPE.

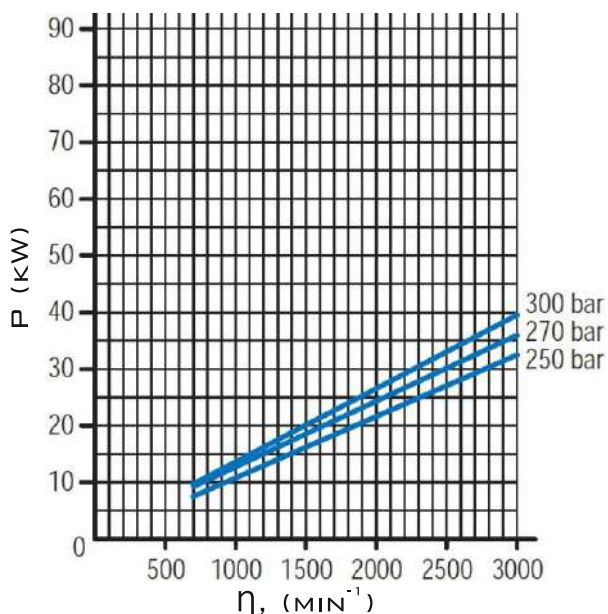




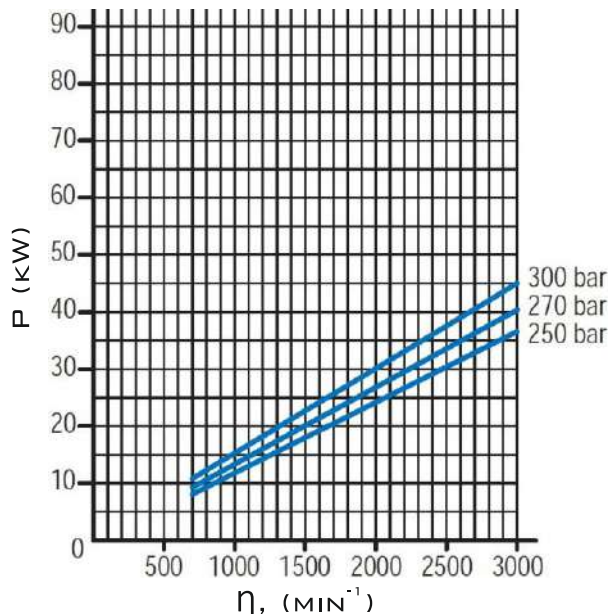
CHARACTERISTIC CURVES

CHARACTERISTIC CURVES CARRIED OUT WITH OIL VISCOSITY AT 16 MM²/SEC,
OIL TEMPERATURE AT 60 °C.

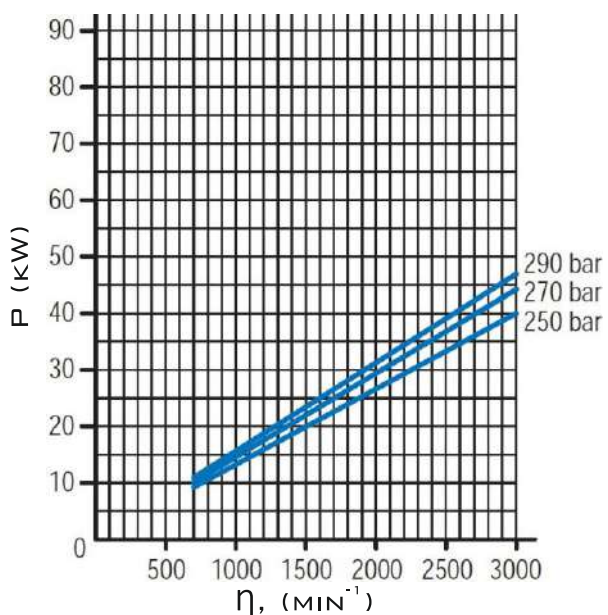
MGP3K20



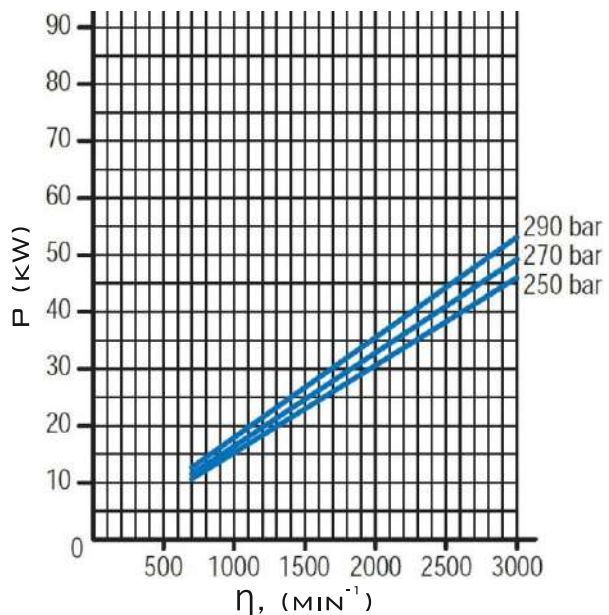
MGP3K23



MGP3K25



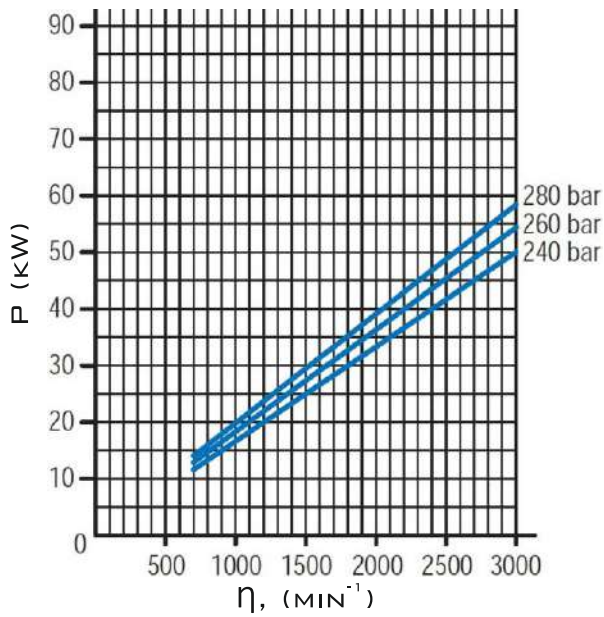
MGP2K28



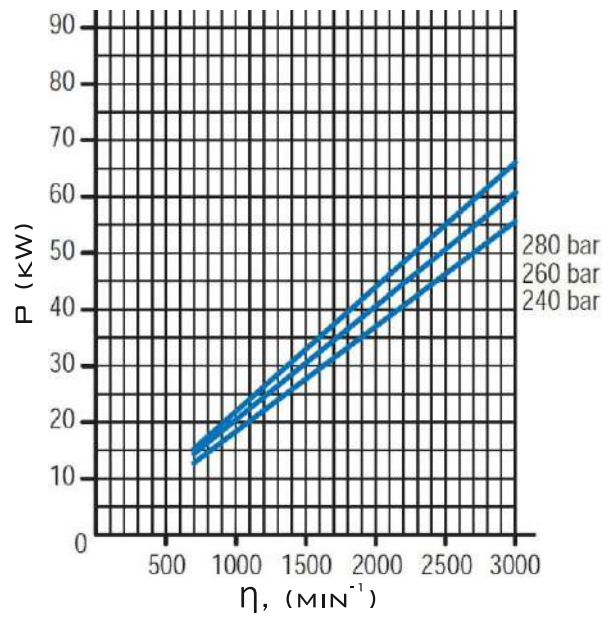
CHARACTERISTIC CURVES

CHARACTERISTIC CURVES CARRIED OUT WITH OIL VISCOSITY AT 16 MM²/SEC,
OIL TEMPERATURE AT 60 °C.

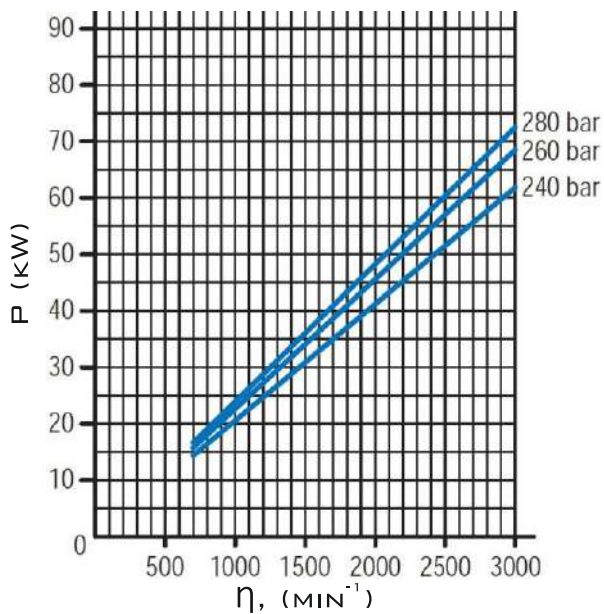
MGP3K32



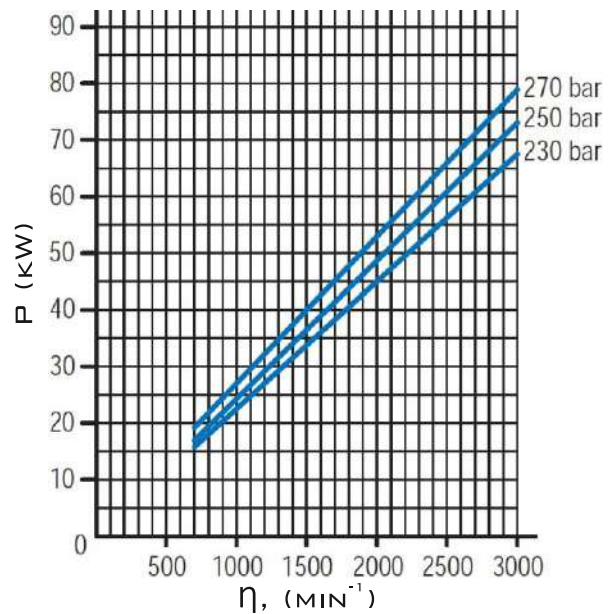
MGP3K36



MGP3K40



MGP2K45

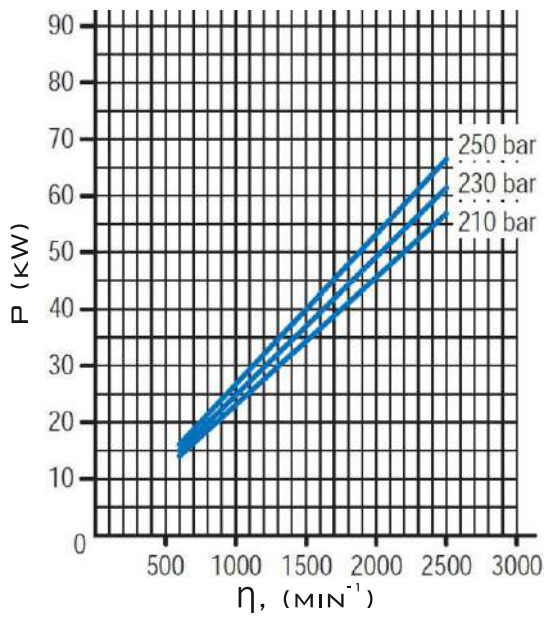




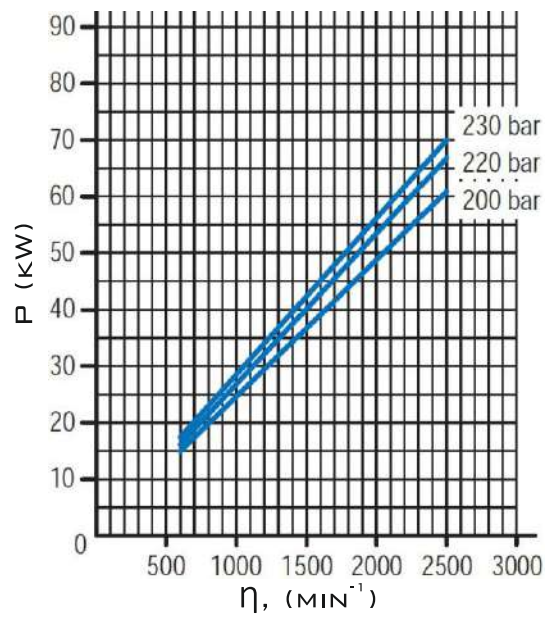
CHARACTERISTIC CURVES

CHARACTERISTIC CURVES CARRIED OUT WITH OIL VISCOSITY AT 16 MM²/SEC,
OIL TEMPERATURE AT 60 °C.

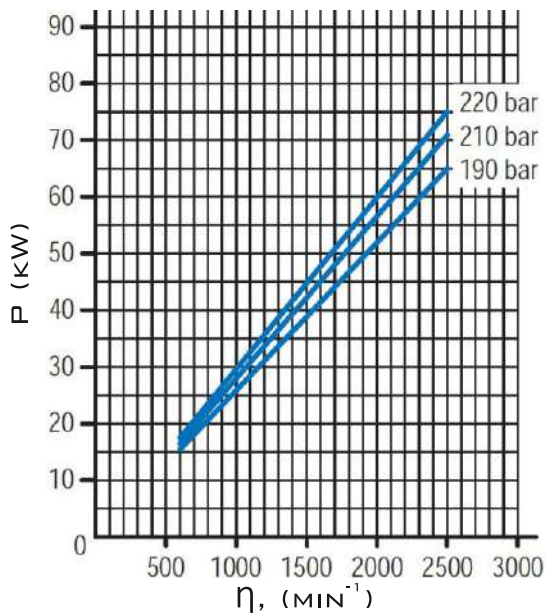
MGP3K50



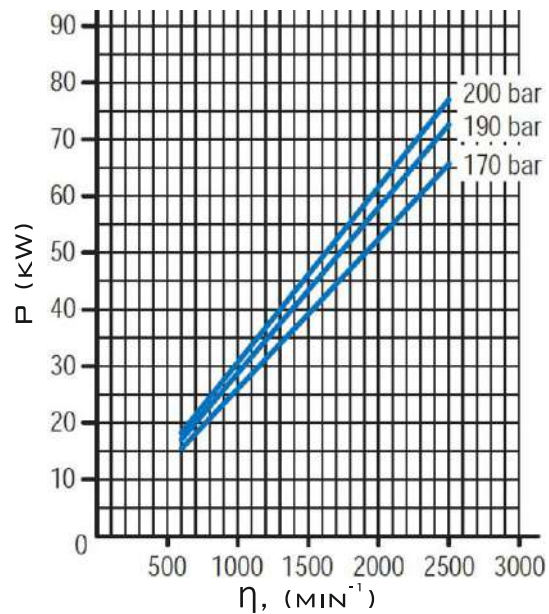
MGP3K56



MGP3K63



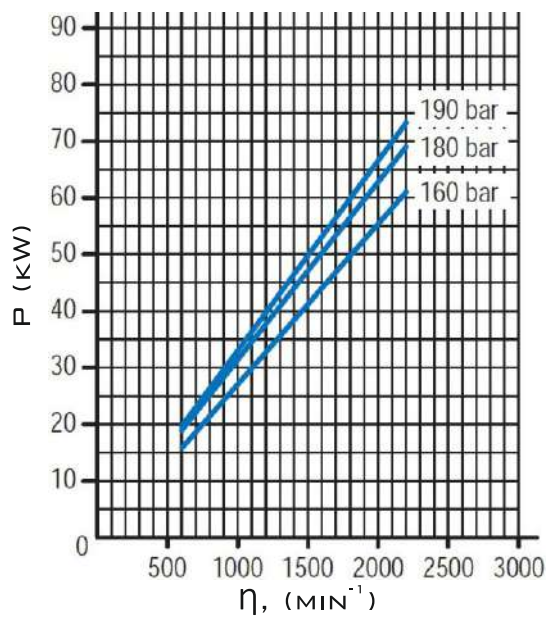
MGP2K71



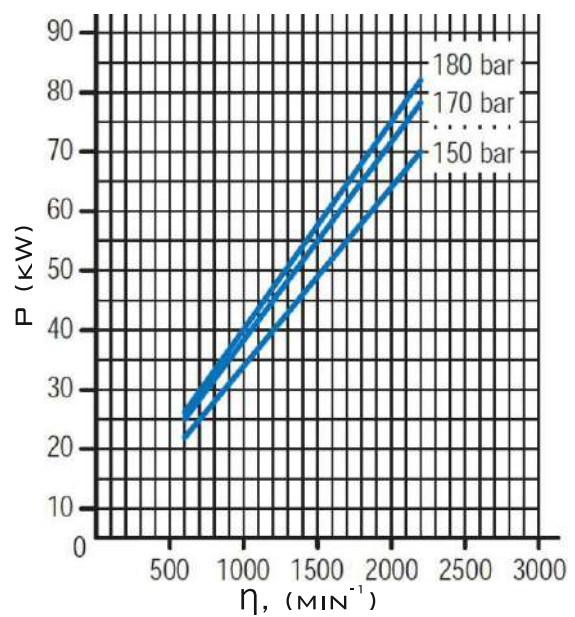
CHARACTERISTIC CURVES

CHARACTERISTIC CURVES CARRIED OUT WITH OIL VISCOSITY AT 16 MM²/SEC,
OIL TEMPERATURE AT 60 °C.

MGP3K80



MGP3K90

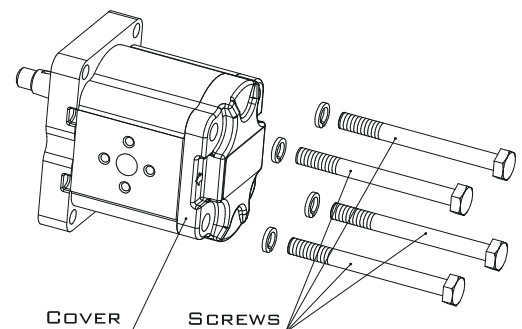


INSTRUCTIONS OF ROTATION CHANGING

PROCESS OF CHANGE DIRECTION SHOWN AT THE EXAMPLE FOR PUMP WITH CLOCKWISE ROTATION.

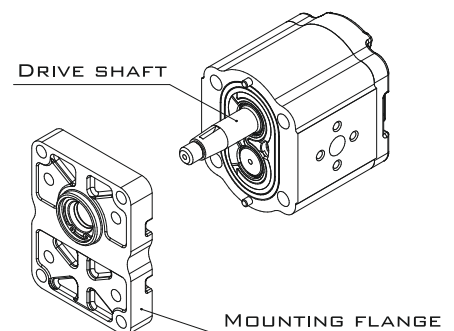
STEP 1

- UNSCREW AND REMOVE THE SCREWS COMPLETELY.
- PUT THE PUMP MOUNTING FLANGE UP.
- LUBRICATE THE DRIVE SHAFT WITH GREASE TO PREVENT DAMAGE TO THE SHAFT SEAL.



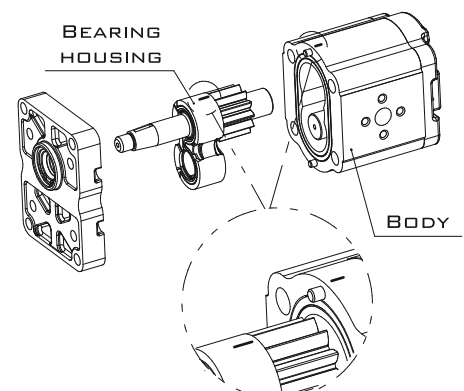
STEP 2

- REMOVE THE MOUNTING FLANGE.
- VERIFY THAT THE COMPENSATION SEAL IS CORRECTLY LOCATED IN THE BODY SEAT.



STEP 3

- MARK THE POSITION OF THE BEARING HOUSING (WITH MARKER) RELATIVE TO THE BODY.
- REMOVE THE BEARING HOUSING AND THE DRIVE SHAFT TAKING CARE TO AVOID DRIVEN SHAFT AXIAL SHIFTS.

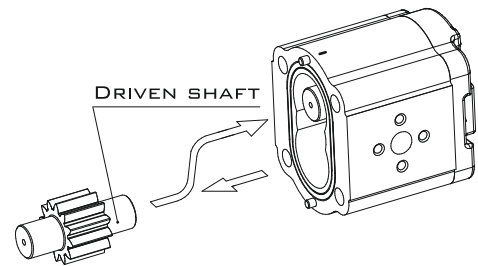


INSTRUCTIONS OF ROTATION CHANGING

PROCESS OF CHANGE DIRECTION SHOWN AT THE EXAMPLE FOR PUMP WITH CLOCKWISE ROTATION.

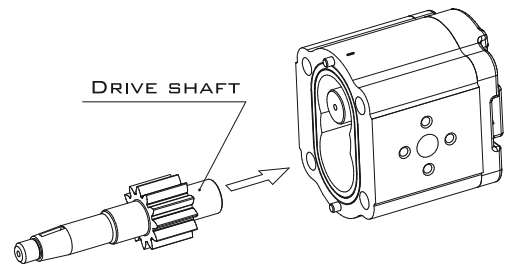
STEP 4

- DRAW OUT THE DRIVEN SHAFT FROM ITS HOUSING.
- RE-LOCATE THE DRIVEN SHAFT IN THE POSITION PREVIOUSLY OCCUPIED BY THE DRIVE SHAFT.



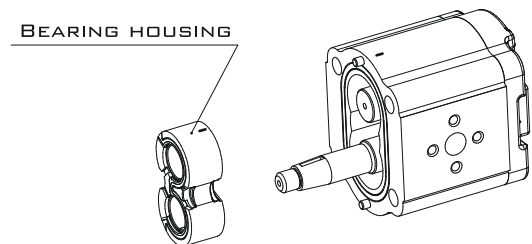
STEP 5

- RE-LOCATE THE DRIVE SHAFT IN THE POSITION PREVIOUSLY OCCUPIED BY THE DRIVEN SHAFT.



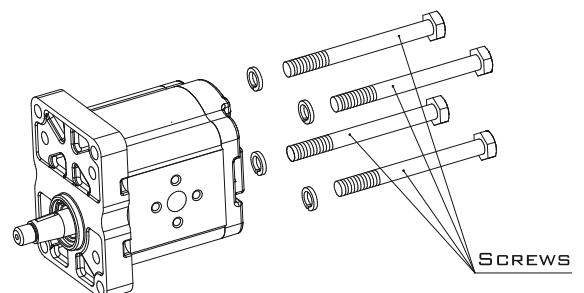
STEP 6

- REPLACE THE BEARING HOUSING TAKING CARE THAT:
- MARKS SHALL BE LOCATED AS IN THE PICTURE.
- COMPENSATION SEAL AND ANTI-EXTRUSION PLATE ARE CORRECTLY LOCATED.



STEP 7

- CLEAN BODY AND MOUNTING FLANGE.
- REFIT THE MOUNTING FLANGE, TURNED 180° FROM ITS ORIGINAL POSITION.
- REPLACE THE CLAMP SCREWS AND TIGHTEN (TORQUE – SEE SECTION “TECHNICAL DATA”).
- CHECK THAT THE SHAFT ROTATES FREELY.





POMPE AD INGRANAGGI

MGP3K

GEAR PUMPS
GROUP 3

ORDER CODE

MGP 3 K

GROUP 3

SERIES K

- 20 = 20 CM³/REV
- 23 = 23 CM³/REV
- 25 = 25 CM³/REV
- 28 = 28 CM³/REV
- 32 = 32 CM³/REV
- 36 = 36 CM³/REV
- 40 = 40 CM³/REV
- 45 = 45 CM³/REV
- 50 = 50 CM³/REV
- 56 = 56 CM³/REV
- 63 = 63 CM³/REV
- 71 = 71 CM³/REV
- 80 = 80 CM³/REV
- 90 = 90 CM³/REV

- R = CLOCKWISE ROTATION
- L = COUNTERCLOCKWISE ROTATION

- DRIVE SHAFTS:
- B5 = SAE B SPLINED (13 TEETH)
 - B6 = SAE BB SPLINED (15 TEETH)
 - F4 = GERMAN TAPERED 1:5
 - G4 = EUROPEAN TAPERED 1:8 (M14)
 - G5 = EUROPEAN TAPERED 1:8 (M16)
 - H3 = SAE B STRAIGHT Ø22,2
 - H4 = SAE BB STRAIGHT Ø25,4

MATERIAL OF COVER:
No CODE = ALUMINIUM
F = CAST IRON

No CODE = NBR SEALS
V = FKM SEALS

PORTS:
B = EUROPEAN FLANGE
C = GERMAN FLANGE
D = SAE FLANGE (UNC)
W = SAE FLANGE (METRIC)
E = METRIC THREADED
F = SAE THREADED
G = GAS THREADED (BSPP)

MOUNTING FLANGES:
33 = SAE B 2 BOLTS
63 = EUROPEAN Ø50,8
64 = EUROPEAN Ø60,3
88 = GERMAN Ø105