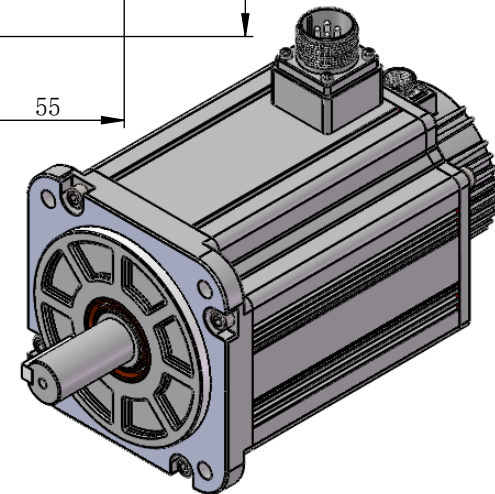
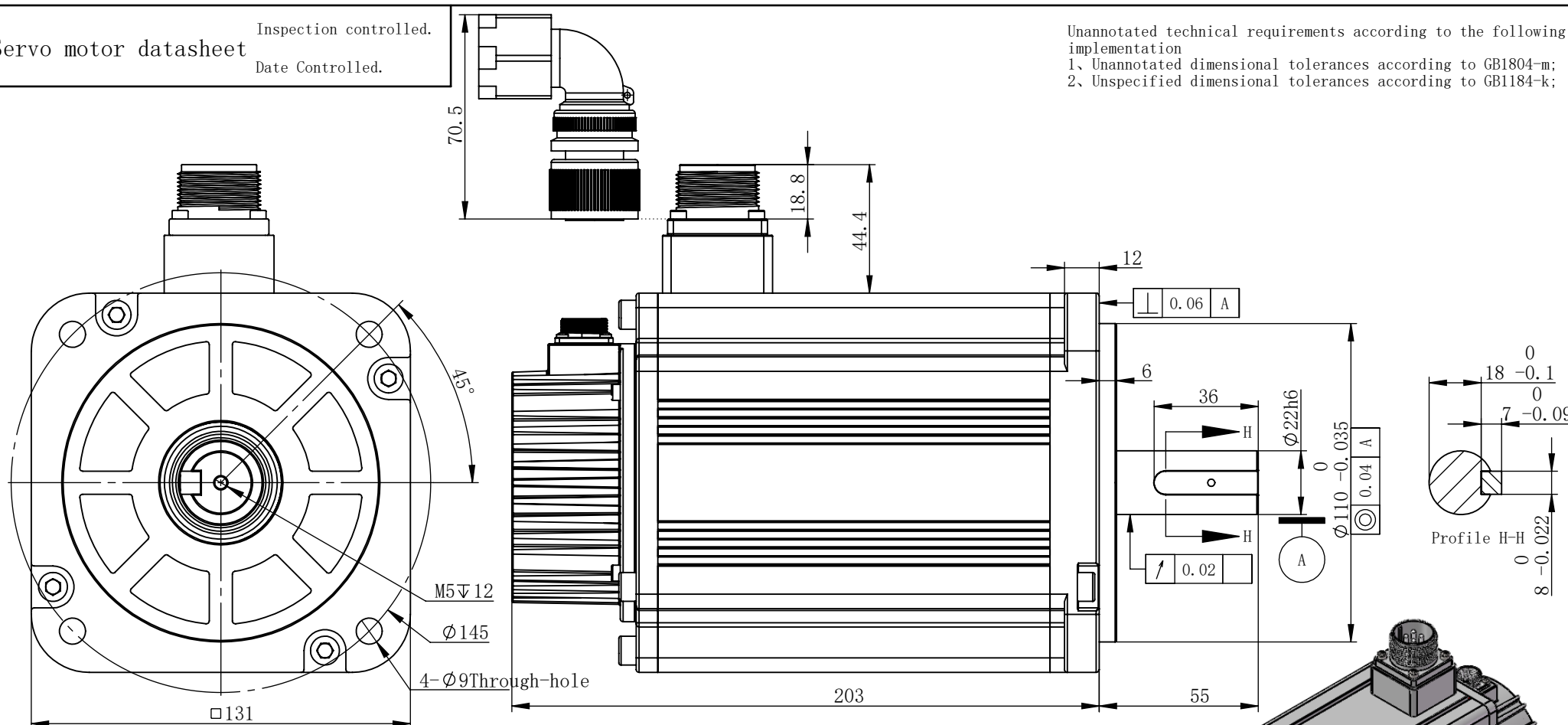


Servo motor datasheet

Inspection controlled.
Date Controlled.

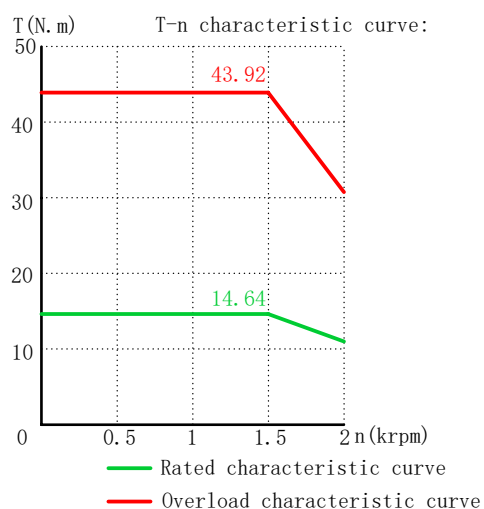
Unannotated technical requirements according to the following implementation
1、Unannotated dimensional tolerances according to GB1804-m;
2、Unspecified dimensional tolerances according to GB1184-k;



Connector	CMS13102A18-10P-Z			
Pin No.	A	B	C	D
Signal	U	V	W	PE
Colour	Red	Blue	Black	Yellow/green

Connector	16M-9H								
Pin No.	1	2	3	4	5	6	7	8	9
Signal	5V	0V	E+	E-	SD+	SD-	PE	/	/
Colour	Red	Black	Brown	White	Blue	Yellow	Shield	/	/

Motor technical specifications					
Name	Data	Unit	Name	Data	Unit
Rated power	2300	W	Rated voltage	380	V
Rated speed	1500	rpm	Max. speed	2000	rpm
Rated current	5.6	A rms	Peak current	16.8	A rms
Rated torque	14.64	N.m	Peak torque	43.92	N.m
Rotor inertia	36.38	$Kg.m^2 \times 10^{-4}$	Feedback element	23bit multiturn absolute	



Suzhou Veichi Electric Co., Ltd View.

Material name: servo motor Design: Pan Yijia
Material code: 9120122345 Date: 21-08-24
Specification: v7e-m13d-2r315-d11 Versions: A0