

Katrin Plus Industrial Towel XL2 1500

481559

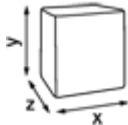
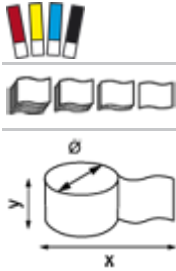
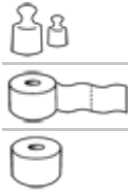

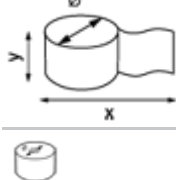

- Extra strong Plus quality industrial drying paper that is highly and rapidly absorbent
- 2-Ply, white
- Perfect for demanding drying and cleaning applications
- Particularly good for oil, grease, detergents, solvents and water
- Long roll (1,500 sheets) for high usage areas
- Approved for short-term contact with food
- Certified under the Nordic Swan Eco Label
- Certified under the EU Flower Eco Label








Product / Consumer pack

| | | | | | |
|--|----------|--|---------|--|---------|
|  | x 390 mm |  | White |  | 5.21 kg |
| | y 265 mm | | 2 | | 1500 |
|  | x 360 mm |  | Ø 390 |  | 1 |
| | y 265 mm | | x 540 m | | Ø 71 mm |

Transport pack

| | | | | | |
|---|----------|---|---|---|---------------|
|  | x 390 mm |  | 2 |  | 10.41 kg |
| | y 265 mm | | 2 | | 4004231481559 |
|  | z 780 mm |  | |  | |

Transport pallet

| | | | | | |
|---|-----------|---|----|---|---------------|
|  | x 800 mm |  | 24 |  | 299 kg |
| | y 2270 mm | | | | 4004231704399 |
|  | z 1200 mm | | |  | |

Related products



54909
**Katrin Industrial
Floor Dispenser -
Black Metal**



54930
**Katrin Industrial
Wall Dispenser -
Black Metal**



54954
**Katrin Industrial
Waste Bag Holder -
Black Metal**



54961
**Katrin Industrial
Wipe Holder -
Black Metal**