

# Katrin Classic Industrial Towel L3 Blue laminated

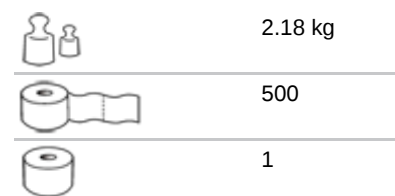
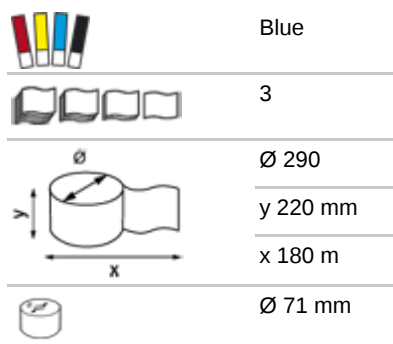
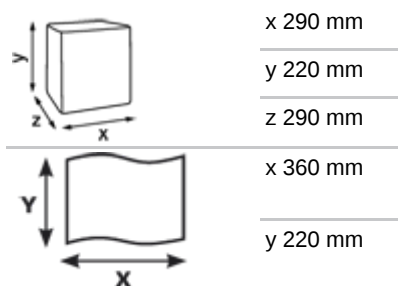
481252

- Mixed fibre industrial drying paper, laminated for extra strength
- 3-Ply, blue
- Strong 3-ply structure protects when wiping uneven and sharp surfaces
- Approved for short-term contact with food
- Certified under the Nordic Swan Eco Label
- Certified under the EU Flower Eco Label

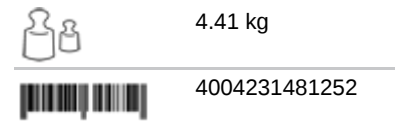


 **ISO9001 ISO14001** 

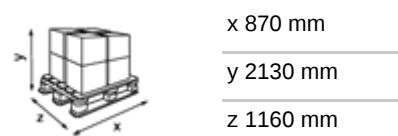
## Product / Consumer pack



## Transport pack



## Transport pallet



## Related products



54909  
**Katrin Industrial  
Floor Dispenser -  
Black Metal**



54930  
**Katrin Industrial  
Wall Dispenser -  
Black Metal**



54954  
**Katrin Industrial  
Waste Bag Holder -  
Black Metal**



54961  
**Katrin Industrial  
Wipe Holder -  
Black Metal**